

Vipros 358 King Layout Drawings



Contents

Contents	2
Introduction	3
Lifting the Machine	4
Machine Dimensions - Plan View	5
Machine Dimensions - Elevation View	6
Machine Dimensions - End View	7
Maintenance Areas	8

Introduction

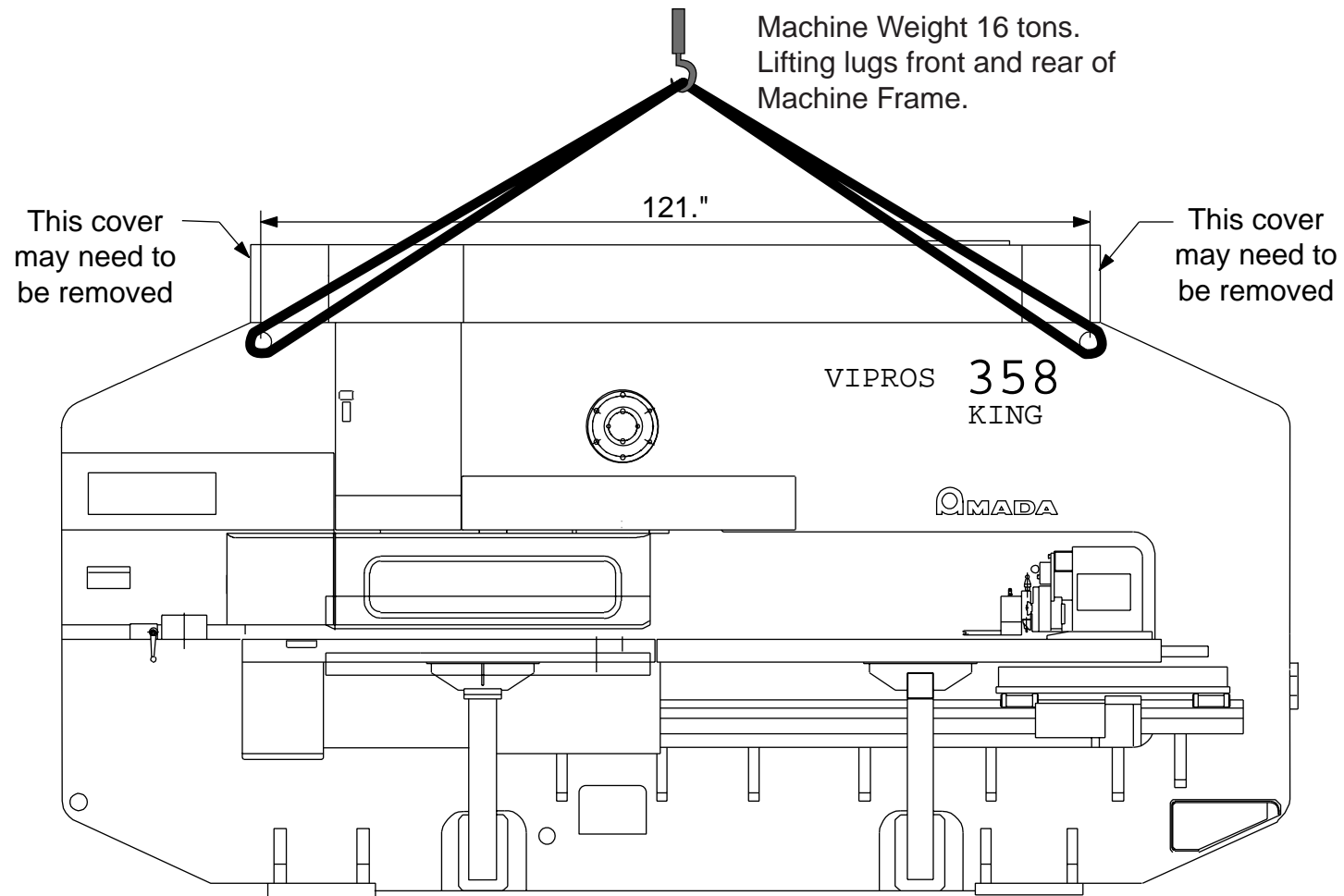
This manual describes the tasks that the purchaser of a Vipros 358 King must complete before calling the service organization to complete the installation and operator training.

An overview of the preparations is as follows:

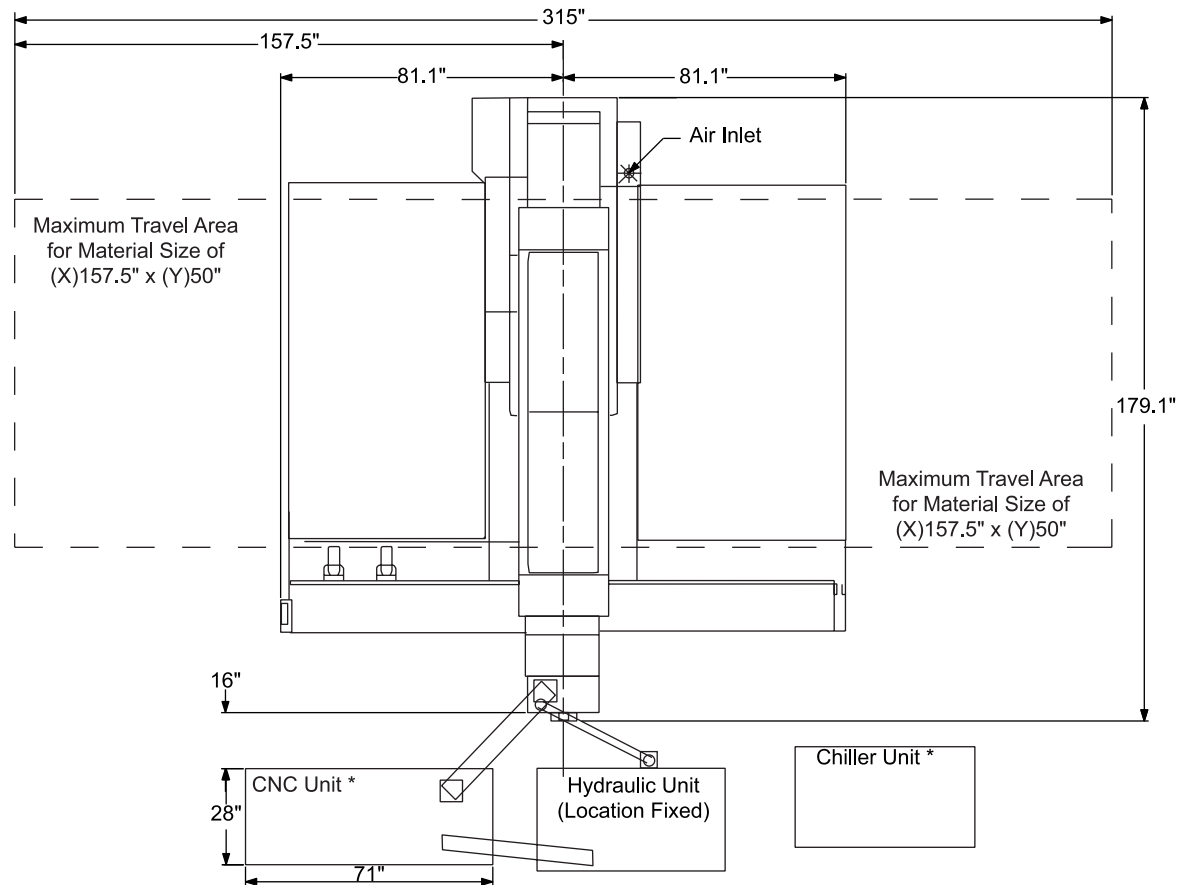
- Plan the location of the Vipros 358 King in the shop, taking into account all the maintenance areas indicated on the floor plan.
- Prepare the Vipros 358 King floor area as required.
- Uncrate the Vipros 358 King and Fanuc O4PC control and place them on the floor.
- Install the air supply.
- Install the electrical supply.
- Remove the protective coating from the surface of the Vipros 358 King.
- Anchor the Machine to the floor or foundation using the appropriate method described in this document

Note: It is the purchaser's responsibility to install any safety devices to ensure the safety area.

Lifting the Machine

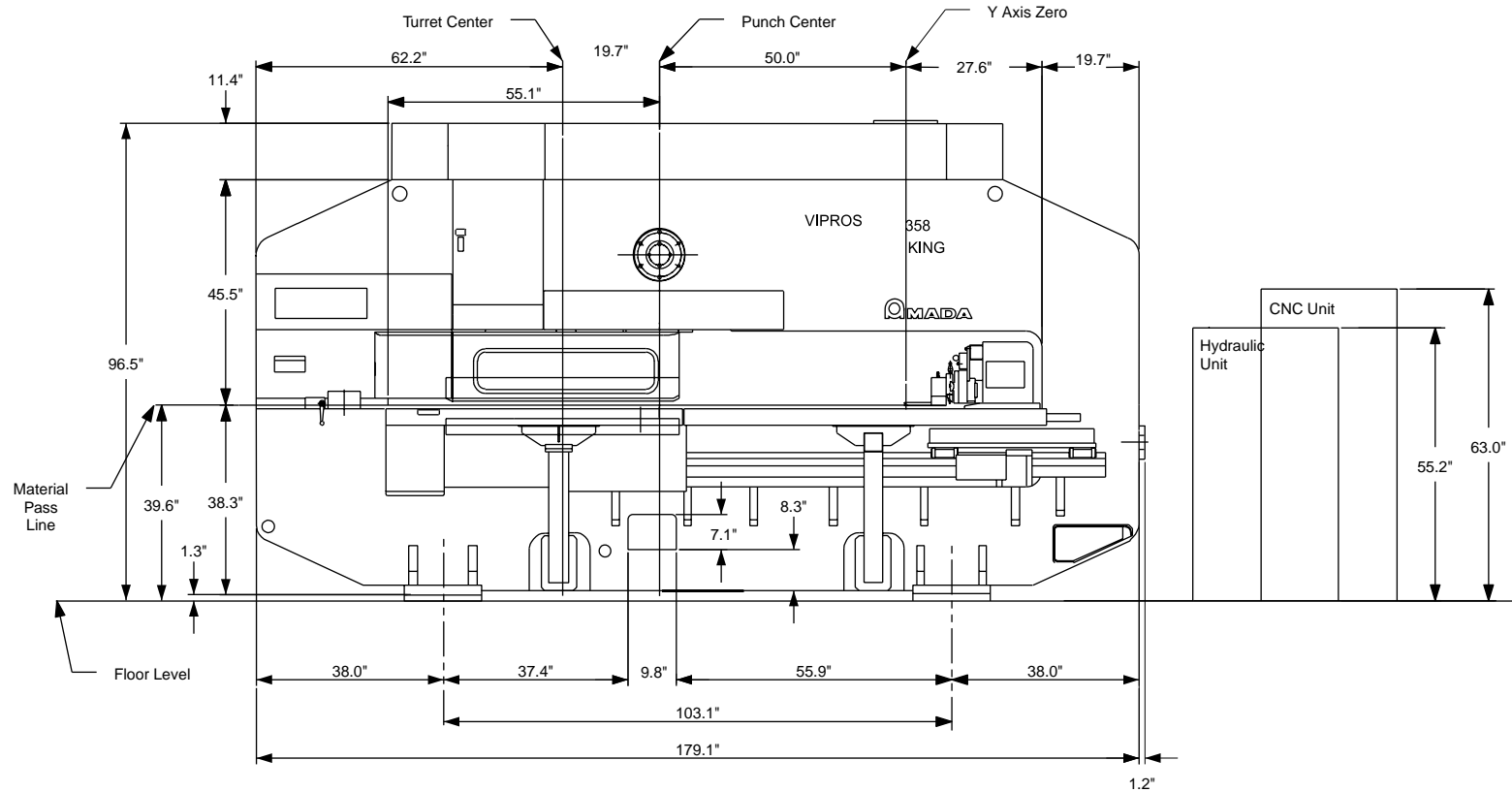


Machine Dimensions - Plan View

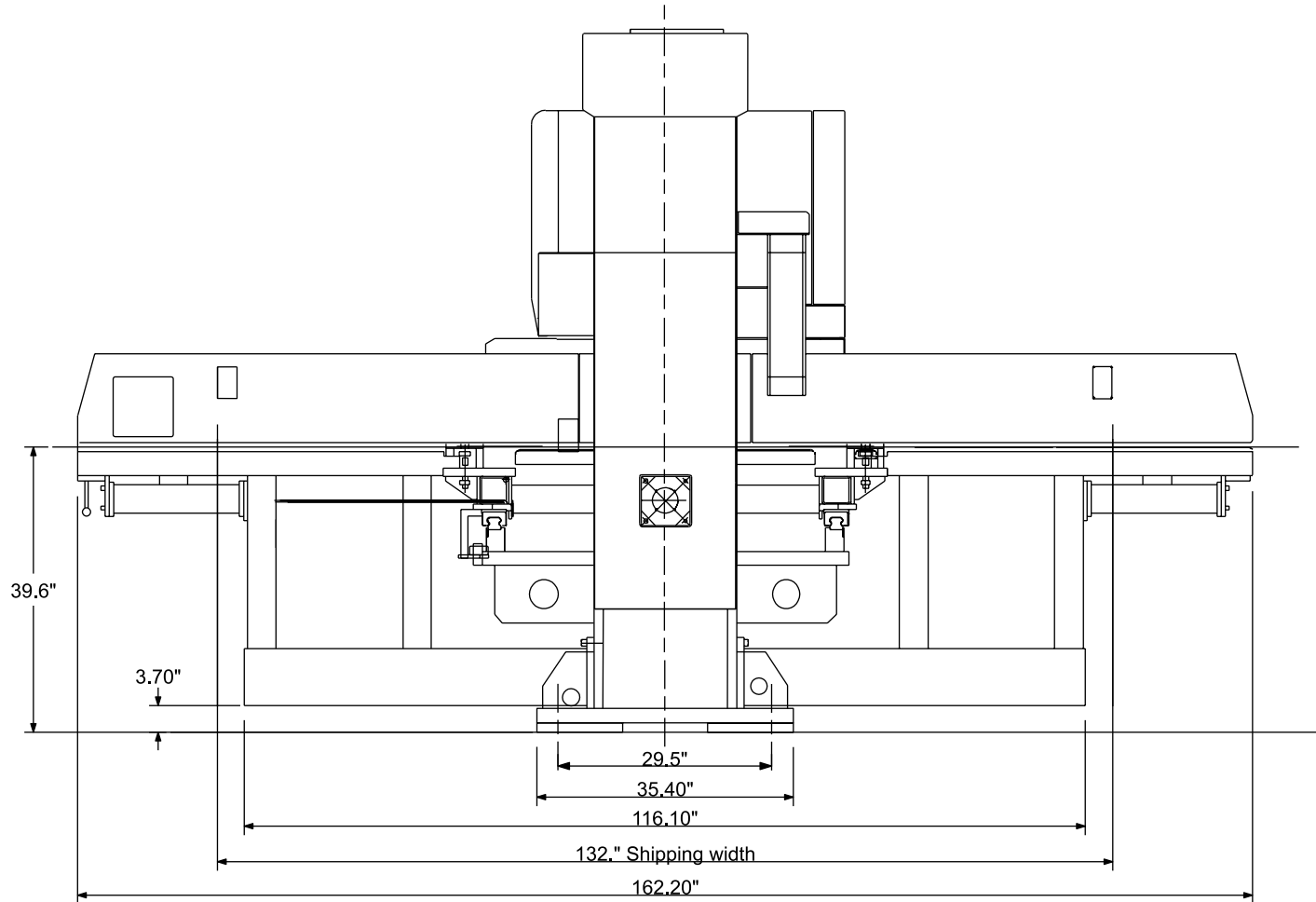


- NOTE 1: Chiller Unit location for reference only.
- NOTE 2: CNC Unit may be rotated 90° CCW from position shown.
- NOTE 3: Shipping width is 11' - 0" (uncrated). It is possible to reduce this width to 10' - 6" by removing brackets on the carriage.

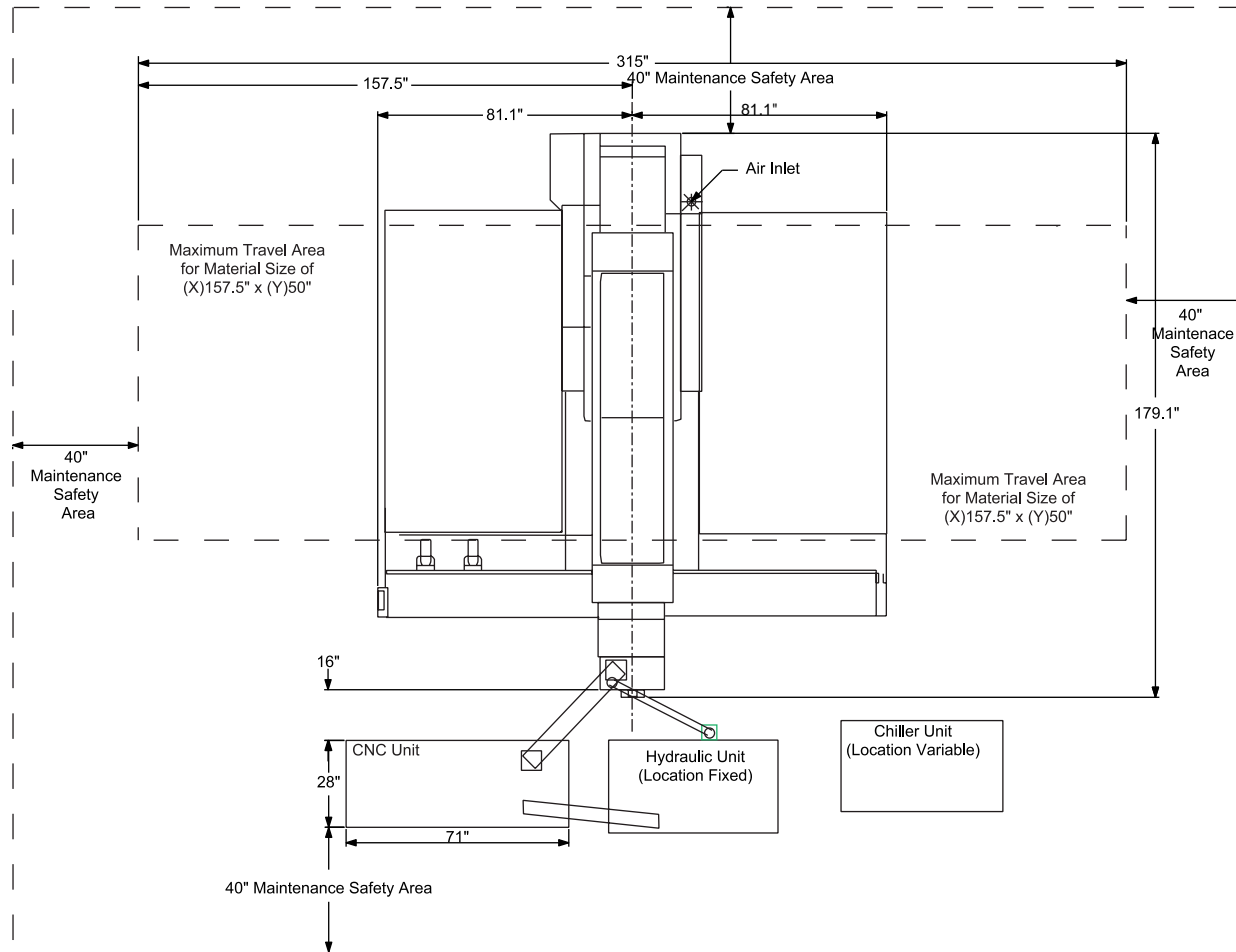
Machine Dimensions - Elevation View



Machine Dimensions - End View



Maintenance Areas



Amada America Inc.
7025 Firestone Blvd.
Buena Park CA. 90621
Phone: (714) 739 2111
Fax: (714) 739 4099
e-mail: info@amada.com