

AUTO INDEX

4A/I(for COMA.PEGA)(EXP)

PARTS LIST

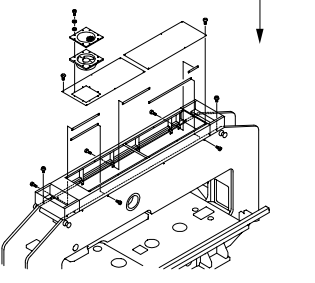
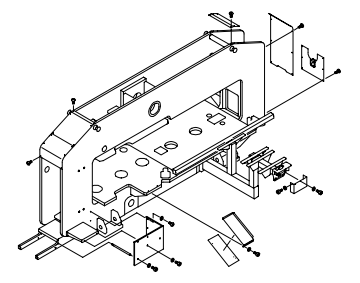
COMA- 557	PEGA- 345Q
567	345K
588	357
	367

GENERAL INFORMATION

- * Specifications subject to change without notice.
- * This parts list shows all of the parts used in your machine.
Please file this parts list for reference and refer to it when you order parts or maintain the machine.
- * This edition has been divided into sections.
Please refer to MACHINE COMPONENT.
- * The scale used on each page of drawings is different.
Please be aware that parts may seem to be different sizes on different pages.

INTRODUCTION

1. TABLE OF CONTENTS

01	Frame(1)-1/3	02	Frame(1)-2/3
			

a Unit No.

b Unit Name

c Assembly drawings shown in the main text.

2. MAIN TEXT

index	Parts Number	Parts Name	Drawing No.	Type (Maker)	Qty	Note	Rev. No.
5	74386601	Side Roof Cover	6594487		2		
6	75428708	Flange Socket Bolt	P330468015	M8x12 (Nissan)	8		
7	74386602	Center Roof Cover	6594486		1		
8	74379003	Plate Nut(800)	6573133		1		
9	74379004	Plate Nut(500)	6573134		1		
10	74314410	Hex Soc Cap Screw	P330230011	M8x45	4		
11	74365113	Roof Cover Cap	6017734		1		
12	74384402	Button Head Screw	6594137		6		
13	74365114	Fan Cover	6017735 A		1		
14	74384402	Button Head Screw	6594137		6		

A Unit No. and Name

The Unit No. and Name are shown on relevant pages.

B Machine Serial No.

The Serial Nos. of machines corresponding to the information shown.

C Index No.

The index No. for each part in a drawing is shown and corresponds to the list of parts for that drawing.

D Parts No.

The individual Code No. for each part on the models is shown.
Nos. in parentheses represent interchangeable with other machines.

E Parts Name

The name (description) of each part.

F Drawing No.

The numbers of drawings relevant to the part are given.

G Type (Maker)

The type description and manufacturer of each marketed item are shown.

H Quantity

The quantity of each part used on the models is shown.

I Notes

Cautions and notes necessary to the ordering each part.

J Rev. No.

The number to administrate history of revision.

ORDER INSTRUCTIONS

1. Confirm whether the model name and No. on the serial plate of the machine correspond to the numbers of the machines for which the parts list is effective.
2. Use the drawings in the Table of Contents to find the unit on which the part in question is shown in greater detail.
3. Spread out the referred pages.
4. Use the drawings and corresponding lists to confirm the specs,etc. of the part in question.
5. When ordering,please supply the following information:
 - (1) Machine Model
 - (2) Serial No.
 - (3) Parts No.
 - (4) Quantity

UNIT LIST

Drive
Intermediate Drive(Upper)
Intermediate Drive(Lower)
Turret Brake(Upper)
Turret Brake(Lower)
Upper Turret 2 Inch
Upper Turret 2 Inch,1-1/4 Inch
Upper Turret 1-1/4 Inch
Lower Turret 2 Inch
Lower Turret 2 Inch,1-1/4 Inch
Lower Turret 1-1/4 Inch
Origin Sensor
Tool
Cover
Turret Base
Air Piping
Electric

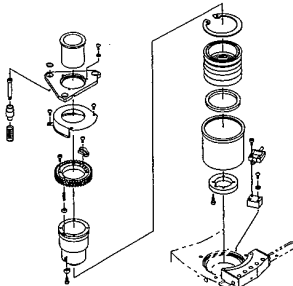
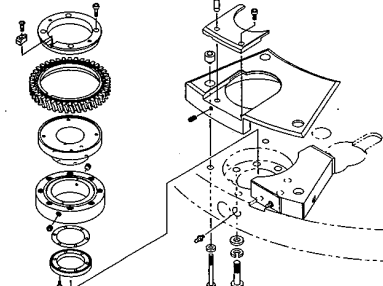
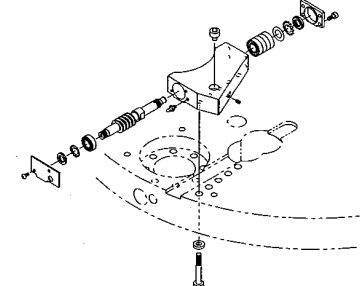
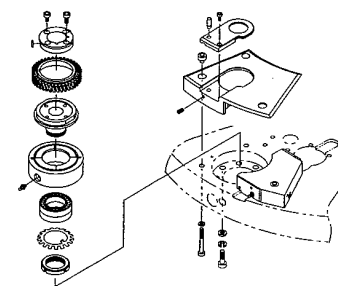
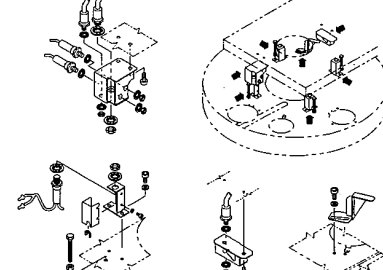
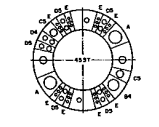
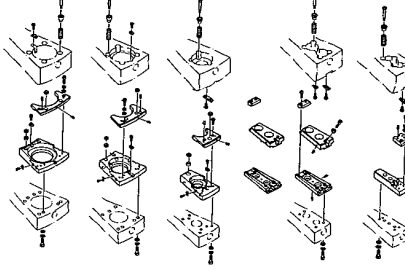
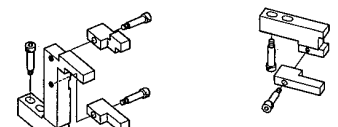
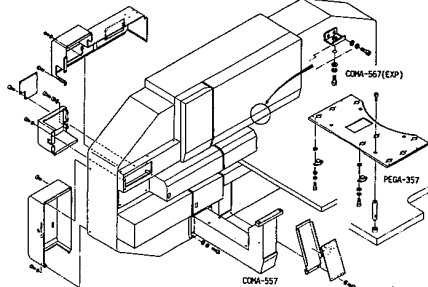
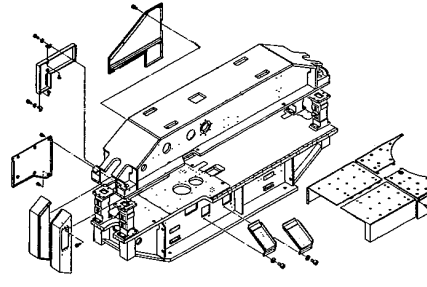
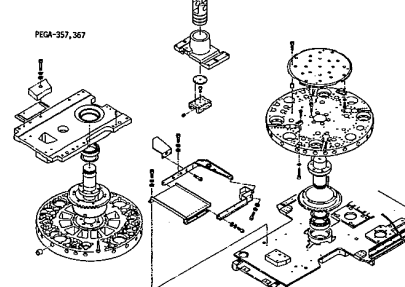
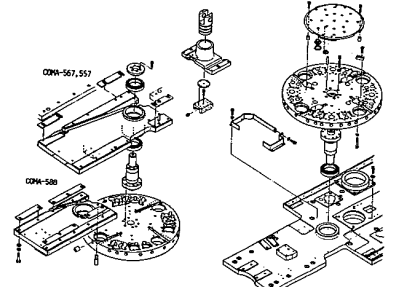
© 2001 AMADA Co.,LTD.

All rights reserved. Printed in Japan.

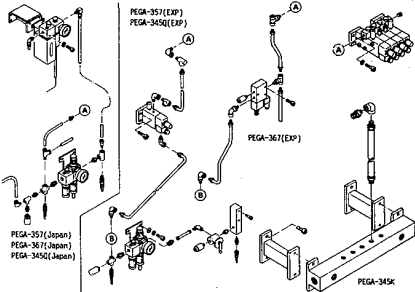
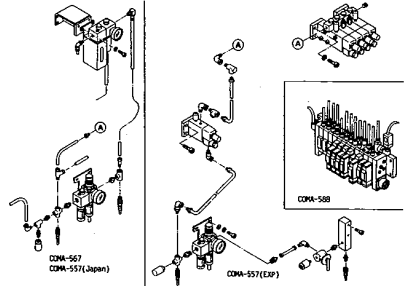
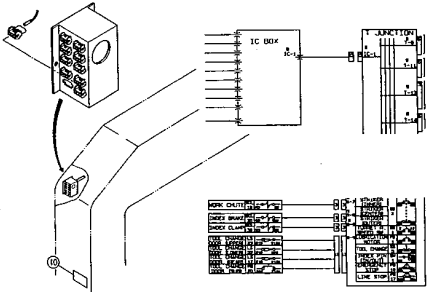
CONTENTS (1)

01 Drive (1)	02 Drive (2)	03 Intermediate Drive (Upper) (1)	04 Intermediate Drive (Upper) (2)
01-1~01-6 	02-1~02-4 	03-1~03-4 	04-1~04-3
05 Intermediate Drive (Upper) (3)	06 Intermediate Drive (Lower) (1)	07 Intermediate Drive (Lower) (2)	08 Intermediate Drive (Lower) (3)
05-1~05-4 	06-1~06-4 	07-1~07-3 	08-1~08-4
09 Turret Brake (Upper)	10 Turret Brake (Lower)	11 Upper Turret 2" (1)	12 Upper Turret 2", 1-1/4" (2)
09-1~09-3 	10-1~10-4 	11-1~11-3 	12-1~12-3

CONTENTS (2)

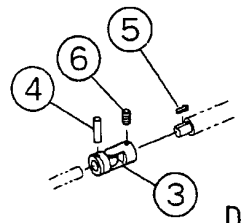
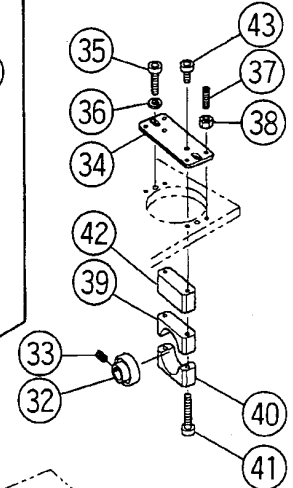
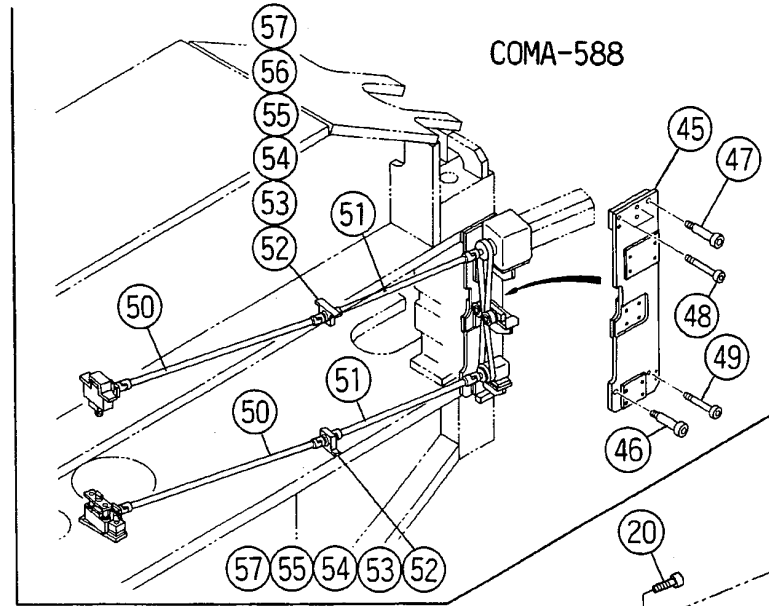
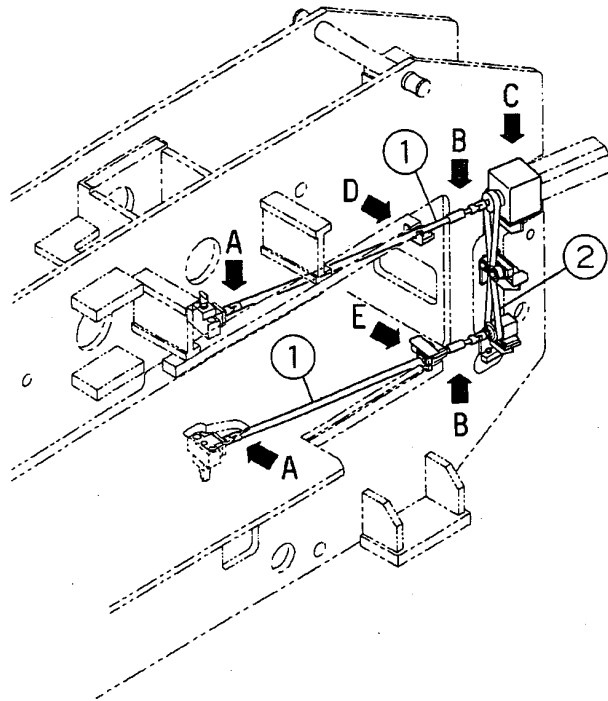
13 Upper Turret 1-1/4" (3)	14 Lower Turret 2" (1)	15 Lower Turret 2", 1-1/4" (2)	16 Lower Turret 1-1/4" (3)
13-1~13-3	14-1~14-3	15-1~15-3	16-1~16-3
			
17 Origin Sensor	18 Tool (1)	19 Tool (2)	20 Tool (3)
17-1~17-3	18-1~18-2	19-1~19-6	20-1~20-2
			
21 Cover (1)	22 Cover (2)	23 Turret Base (1)	24 Turret Base (2)
21-1~21-4	22-1~22-2	23-1~23-3	24-1~24-4
			

目次 (3)

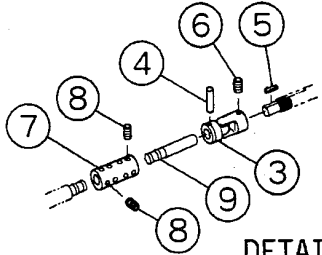
25 Air Piping (1)	26 Air Piping (1)	27 Electric	
<p>25-1~25-3</p> 	<p>26-1~26-2</p> 	<p>27-1~27-2</p> 	

01

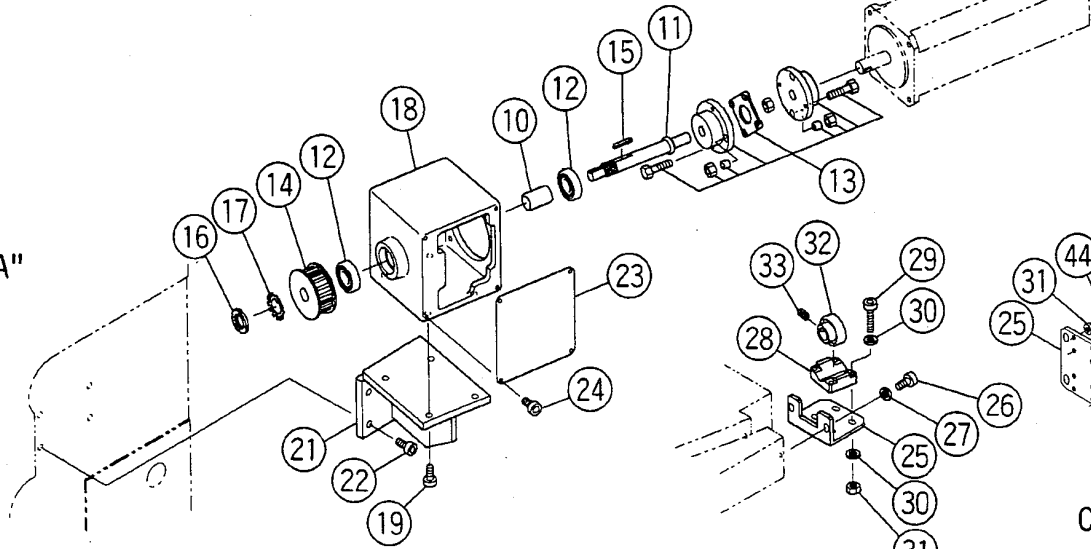
Drive(1)



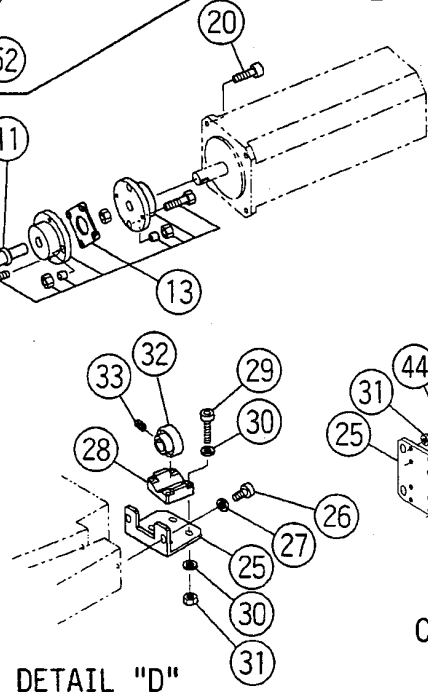
DETAIL "A"



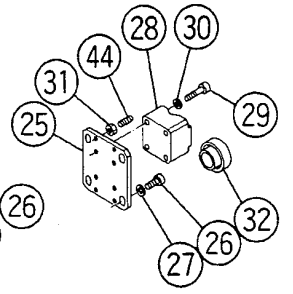
DETAIL "B"



DETAIL "C"



DETAIL "D"



COMA-567

DETAIL "E"

Index	Parts Number	Parts Name	Drawing No.	Type(Maker)	Q'ty	Note	Rev.No.
1	74322025	Center Shaft	6502892		2	PEGA-357	
	74322028	Center Shaft	6502870		2	PEGA-367,COMA-567	
	74730113	Center Shaft	6575607		2	PEGA-345Q,345K	
	74537838	Center Shaft	6500367		2	COMA-557	
2	74322435	Timing Belt		570H-100 (Mitsuboshi)	1		
3	74322357	Universal Joint	7830034		4	(Kyowa)	
4	74322604	Straight Pin		[M6]D6X28	4		
5	74322412	Key (Single Round)		[P7 TYPE-1] 5X5X20	4		
6	74305504	Set Screw		M6X6	8		
7	74322017	Connecting Block	6501831		2		
8	74302868	Set Screw		M8X8 LOC-WEL (Unbrako)	16		
9	74322023	Connecting Shaft	6501894		2	P357,367,345Q,345K, C567	
	74537838	Connecting Shaft	6500367		2	COMA-557	
10	74322154	Collar	6502888		1		
11	74730105	Drive Shaft	6502887 A		1		
12	74312427	Ball Bearing		6004ZZ	2		
13	74322540	Servo Flex		SFS-06S-15M-16C (Miki)	1		
14	74322001	Belt Pully (Upper)	6010759		1		

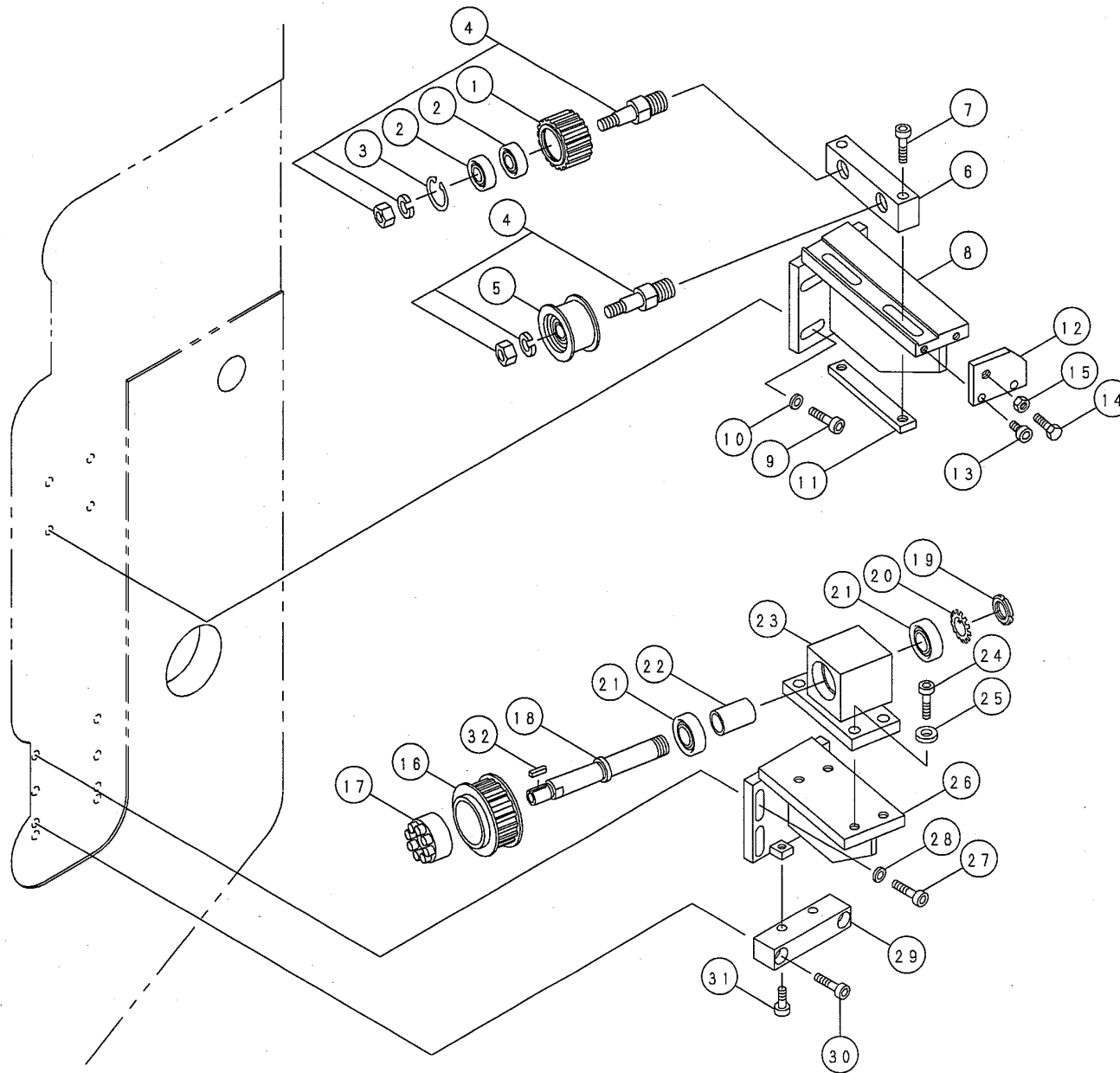
Index	Parts Number	Parts Name	Drawing No.	Type(Maker)	Q'ty	Note	Rev.No.
15	74322413	Key (Double Round)		[P7 TYPE-1] 5X5X30	1		
16	74332627	Bearing Nut		AN04	1		
17	74322452	Bearing Washer		AW04X	1		
18	74322061	Motor Bracket	6502886		1		
19	74304947	Hex Soc Cap Screw		M10X30 (Unbrako)	4		
20	74304961	Hex Soc Cap Screw		M8X25 (Unbrako)	4		
21	74322036	Motor Base	6501901		1	PEGA-357	
	74322037	Motor Base	6502869		1	P367,345Q,345K,C56 7	
	74730109	Motor Base	6520766		1	COMA-588	
22	74304948	Hex Soc Cap Screw		M10X35 (Unbrako)	4		
23	74322203	Cover	6502891		1		
24	74304960	Hex Soc Cap Screw		M6X10 (Unbrako)	4		
25	74322062	Bracket (Upper)	6502921		1	P357,367,345Q,345K, C557	
	74537855	Bracket (Upper)	6502871		1	COMA-567	
26	74310533	Hex Soc Cap Screw		M8X20 (Unbrako)	2	P357,367,345Q,345K, C557	
	21415514	Hex Soc Cap Screw		M8X25 (Unbrako)	4	COMA-567	
27	74300511	Washer			2	P357,367,345Q,345K, C557	
	74300511	Washer			4	COMA-567	

Index	Parts Number	Parts Name	Drawing No.	Type(Maker)	Q'ty	Note	Rev.No.
28	74322332	Bearing Support	6502922		1	P357,367,345Q,345K, C557	
	74730104	Bearing Support	6502872		1	COMA-567	
29	74300555	Hex Soc Cap Screw		M6X35 (Unbrako)	4	P357,367,345Q,345K, C557	
	10310362	Hex Soc Cap Screw		M6X45 (Unbrako)	4	COMA-567	
30	74302328 (44027930)	Washer		M6	4		
31	74300503	Nut		M6	4		
32	74322405	Ball Bearing Unit		ASS204N (NTN)	2		
33	74302865	Set Screw		M5X8 LOC-WEL (Unbrako)	4		
34	74322063	Bracket (L)	6502923		1		
35	74304961	Hex Soc Cap Screw		M8X25 (Unbrako)	2		
36	74300511	Washer		M8	2		
37	74716019	Set Screw		M6X20 FLAT END	4		
38	74300503	Nut		M6	4		
39	74322333	Bearing Support (A)	6502924		1		
40	74322334	Bearing Support (B)	6502925 A		1		
41	74302834	Hex Soc Cap Screw		M6X65 (Unbrako)	2		
42	74322261	Spacer	6502926		1	P357,367,345Q,345K, C588	
	74322262	Spacer	6502873		1	COMA-567,557	

Index	Parts Number	Parts Name	Drawing No.	Type(Maker)	Q'ty	Note	Rev.No.
43	74300665	Hex Soc Cap Screw		M6X15 (Unbrako)	2		
44	74716019	Set Screw		M6X20 FLAT END	4		
45	74730108	Drive Bracket	6520765 A		1		
46	74730101	Shoulder Bolt		MSB16-30 (Misumi)	1		
47	74730102	Shoulder Bolt		MSB16-35 (Misumi)	1		
48	74301633	Hex Soc Cap Screw		M12X50	2		
49	74304917	Hex Soc Cap Screw		M12X40	1		
50	74730110	Center Shaft(1)	6520768 A		2		
51	74730111	Center Shaft (2)	6520770 B		2		
52	74730112	Center Shaft (3)	6520772		2		
53	74322405	Ball Bearing Unit		ASS204N (NTN)	2		
54	21415514	Hex Soc Cap Screw		M8X25	4		
55	74730103	Snap Ring		PTW-47	2		
56	74730107	Spacer (1)	6520748		1		
57	74730106	Housing	6520747		2		

02

Drive(2)



Index	Parts Number	Parts Name	Drawing No.	Type(Maker)	Q'ty	Note	Rev.No.
1	74322003	Timing Pulley	6501896		1		
2	74312421	Ball Bearing		6202ZZ	2		
3	74311706	Snap Ring		RTW-35	1		
4	74322513	Idler Pin		PID1522 (Imao)	2		
5	74322507	Idler Pulley		PIP3050 (Imao)	1		
6	74322035	Idler Base	6501897		1		
7	74354523	Hex Soc Cap Screw		M10X60 (Unbrako)	2		
8	74322050	Idler Bracket	6501900		1	PEGA-357	
	74322065	Idler Bracket	6502868		1	P367,345Q,345K,C56 7	
	74730115	Idler Bracket	6520769		1	COMA-588	
9	74304948	Hex Soc Cap Screw		M10X35 (Unbrako)	4		
10	74314202	Washer (M10)	0827013 B		4		
11	74322042	Fit Plate	6501899		1		
12	74322041	Tension Plate	6501898		1		
13	74310533	Hex Soc Cap Screw		M8X20 (Unbrako)	2		
14	74322626	Bolt		M10X80 ALL THREAD	1		
15	74304423	Nut		M10	1		
16	74322002	Belt Pulley (Lower)	6010760		1		

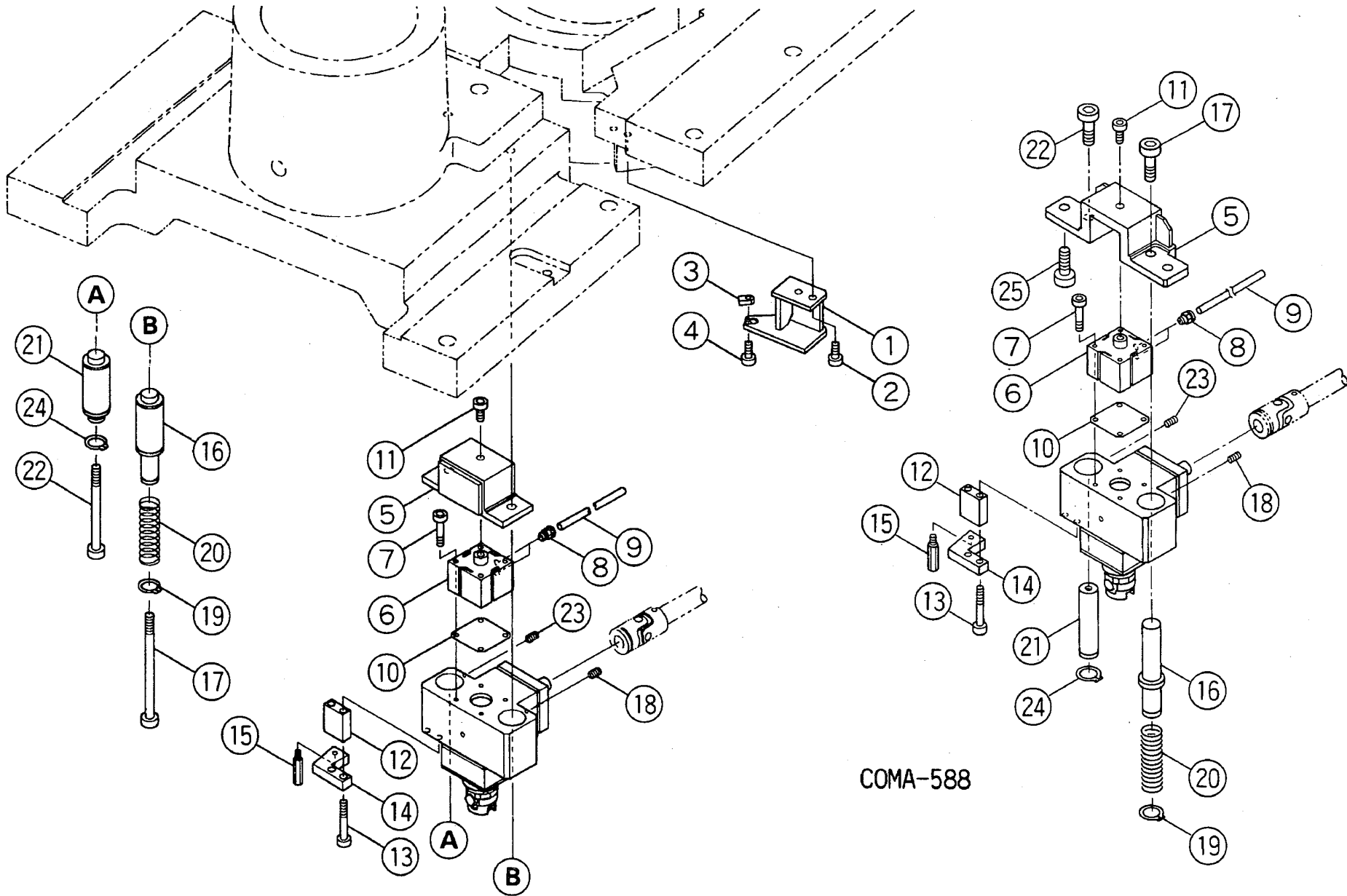
Index	Parts Number	Parts Name	Drawing No.	Type(Maker)	Q'ty	Note	Rev.No.
17	74322535	Spann Ring		RFN7012 D20XD47 (Takeda)	1		
18	74322327	Belt Shaft (L)	6502890		1		
19	74322627	Bearing Nut		AN04	1		
20	74322452	Bearing Washer		AW04X	1		
21	74312427	Ball Bearing		6004ZZ	2		
22	74322154	Collar	6502888		1		
23	74322303	Bearing Holder	6502889		1		
24	74304948	Hex Soc Cap Screw		M10X35 (Unbrako)	4		
25	74314202	Washer (M10)	0827013 B		4		
26	74322051	Under Bracket	6501902		1	PEGA-357	
	74322064	Under Bracket	6502867		1	P367,345Q,C567,557	
	74730116	Under Bracket	6575753		1	PEGA-345K	
	74730114	Under Bracket	6520767		1	COMA-588	
27	74304948	Hex Soc Cap Screw		M10X35 (Unbrako)	4	P357,367,345Q,C567	
	74302829	Hex Soc Cap Screw		M10X30 (Unbrako)	4	PEGA-345K	
28	74314202	Washer (M10)	0827013 B		4		
29	74322018	Adjusting Block	6501903		1		
30	74304948	Hex Soc Cap Screw		M10X35 (Unbrako)	2		

Index	Parts Number	Parts Name	Drawing No.	Type(Maker)	Q'ty	Note	Rev.No.
31	74300550	Hex Soc Cap Screw		M8X50 (Unbrako)	2		
32	74322410	Key (Single Round)		[P TYPE-1] 5X5X20	1		

03

Intermediate Drive(Upper)(1)

Unit No. 03
intermediate Drive (Upper) (1)



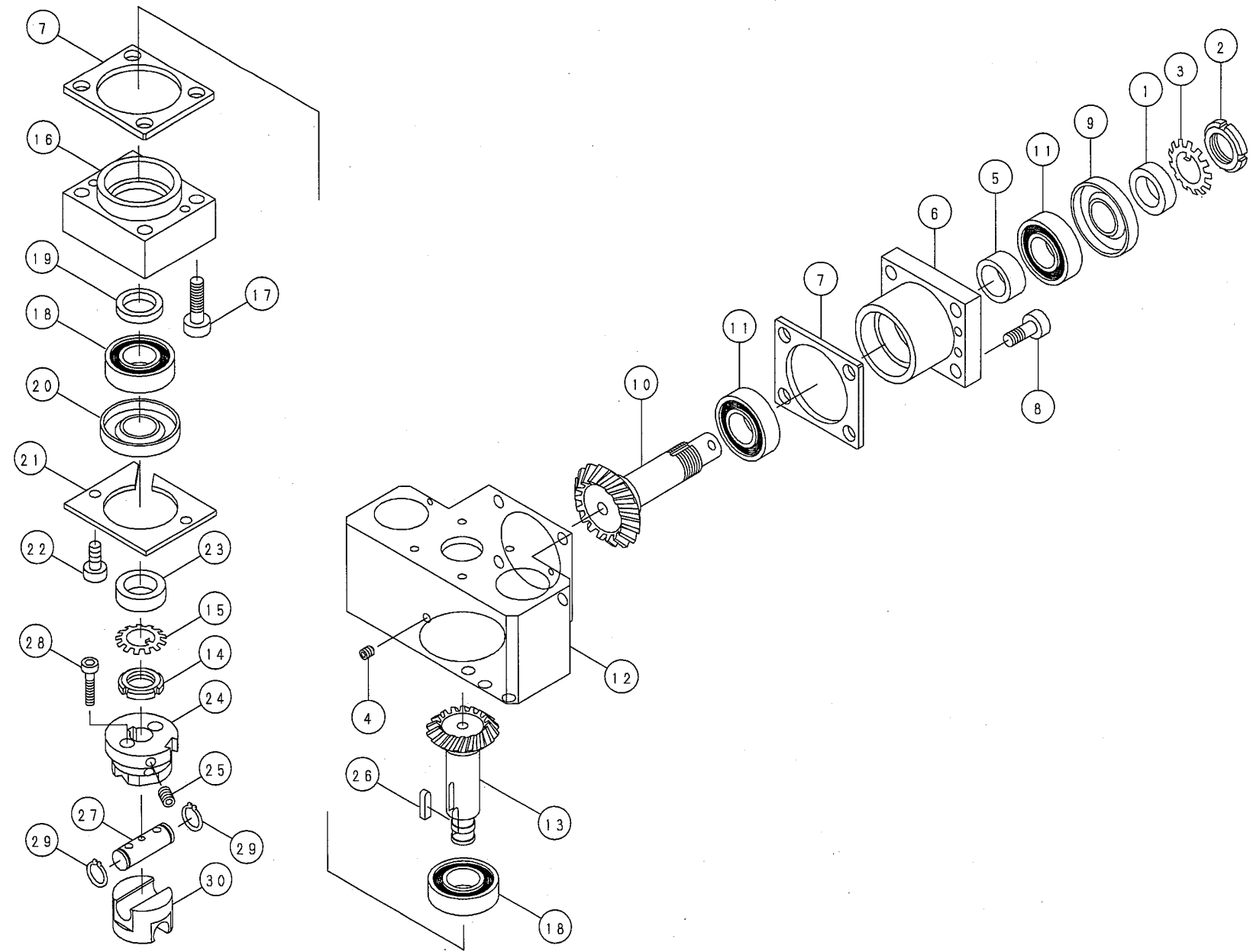
Index	Parts Number	Parts Name	Drawing No.	Type(Maker)	Q'ty	Note	Rev.No.
1	74322053	Key Bracket (U)	6501925 A		1		
2	74310533	Hex Soc Cap Screw		M8X20 (Unbrako)	2		
3	74322335	Key	6502905		1		
4	74304960	Hex Soc Cap Screw		M6X10 (Unbrako)	1		
5	74322060	Gear Box Bracket (U)	6502866 A		1	P357,367,345Q,345K, C567,557	
	74730201	Gear Box Bracket (U)	6520774 A		1	COMA-588	
6	74322428	Cylinder (Thin)		10S-1 SD40-N10 (Taiyo)	1		
7	74300648	Hex Soc Cap Screw		M5X45 (Unbrako)	4		
8	74351914	Connector		EC6-PT1/8 (Nitta)	2		
9	74310213	Tube		N2-4-6X4 (Nitta)	5		
10	74322340	Packing	6502907		1		
11	74310533	Hex Soc Cap Screw		M8X20 (Unbrako)	1		
12	74322259	Spacer (U)	6502903		1		
13	74300639	Hex Soc Cap Screw		M8X65 (Unbrako)	2		
14	74322101	Proximity Switch Dog (U)	6501926 A		1		
15	74322111	Brake Push Rod	6501927		1		
16	74322363	Stroke Bearing	7830103		1	P357,367,345Q,345K, C567,557	
	74322362	Stroke Bearing	7830088		1	COMA-588	

Index	Parts Number	Parts Name	Drawing No.	Type(Maker)	Q'ty	Note	Rev.No.
17	74302856	Hex Soc Cap Screw		M10X145 (Unbrako)	1	P357,367,345Q,345K, C567,557	
	74302818	Hex Soc Cap Screw		M8X30 (Unbrako)	1	COMA-588	
18	74322636	Set Screw		M4X8	1		
19	74305214	Snap Ring		STW-20	1		
20	74322009	Up Spring	6045724		1		
21	74322364	Stroke Bearing	7830104		1	P357,367,345Q,345K, C567,557	
	75423615	Stroke Bearing	7952313 A		1	COMA-588	
22	74302855	Hex Soc Cap Screw		M10X115 (Unbrako)	1	P357,367,345Q,345K, C567,557	
	74302818	Hex Soc Cap Screw		M8X30 (Unbrako)	1	COMA-588	
23	74322636	Set Screw		M4X8	1		
24	74305214	Snap Ring		STW-20	1		
25	38124012	Hex Soc Cap Screw		M10X25	2	COMA-588	

04

Intermediate Drive(Upper)(2)

Unit No. 04
Intermediate Drive(Upper) (2)



Ver. 1

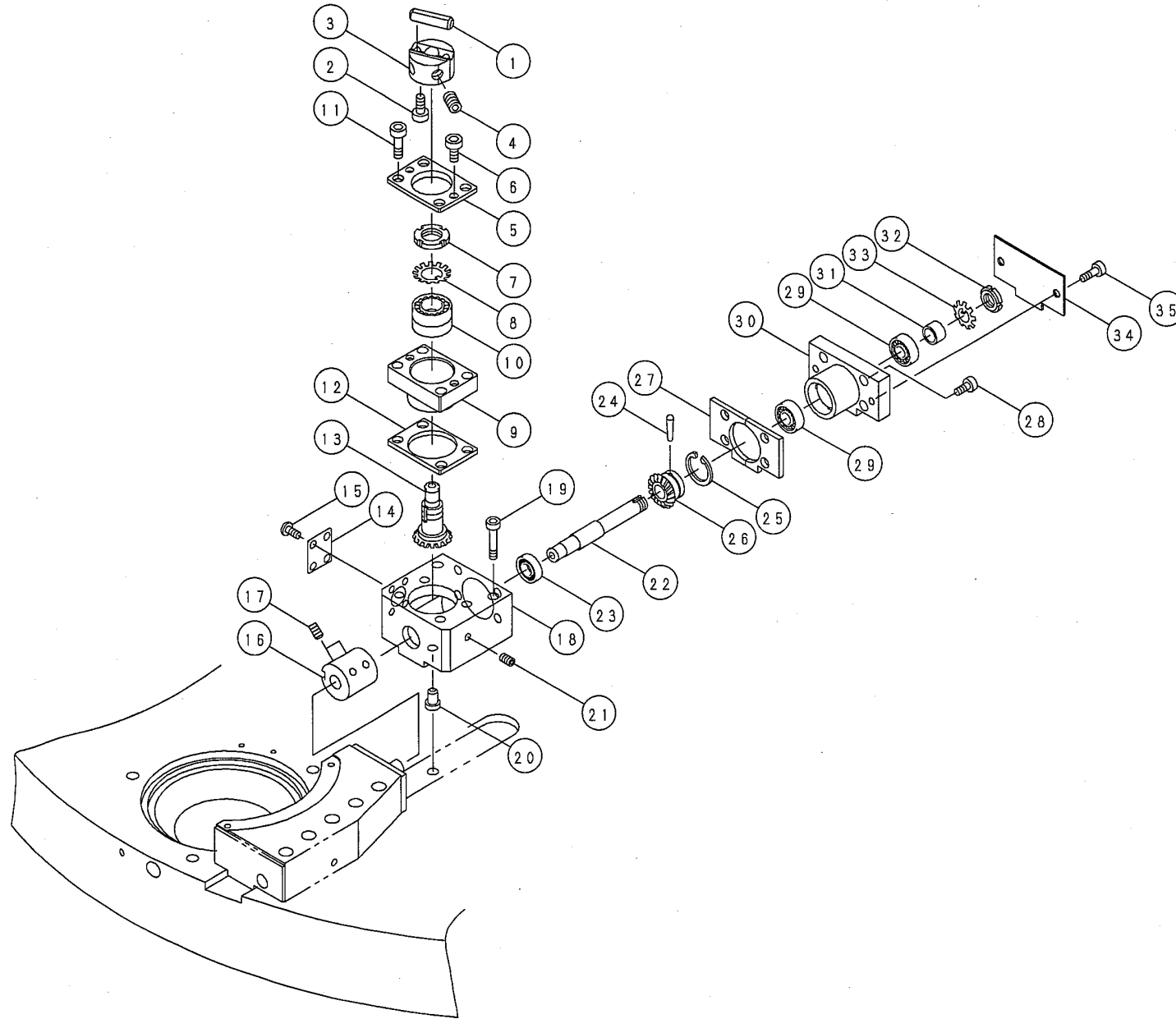
Index	Parts Number	Parts Name	Drawing No.	Type(Maker)	Q'ty	Note	Rev.No.
1	74322150	Seal Collar	6502898		1		
2	74332627	Bearing Nut		AN04	1		
3	74332631	Bearing Washer		AW04	1		
4	74305504	Set Screw		M6X6 FLAT END	1		
5	74322151	Collar (2)	6502901		1		
6	74322139	Unit Case	6502896		1		
7	74322149	Adjusting Collar	6502897 A		2		
8	74310533	Hex Soc Cap Screw		M8X20 (Unbrako)	4		
9	74322441	Oil Seal		AC1700EU	1		
10	74322345	Drive Bevel Gear	6502911		1		
11	74322403	Ball Bearing		#7004	2		
12	74322123	Gear Box	6502895 A		1	P357,367,345Q,345K, C567,557	
	74730203	Gear Box	6520771 A		1	COMA-588	
13	74322346	Center Bevel Gear (U)	6502912		1		
14	74332627	Bearing Nut		AN04	1		
15	74332631	Bearing Washer		AW04	1		
16	74322140	Point Case	6502899 A		1		
17	74374423	Hex Soc Cap Screw		M8X35 (Unbrako)	4		

Index	Parts Number	Parts Name	Drawing No.	Type(Maker)	Q'ty	Note	Rev.No.
18	74322403	Ball Bearing		#7004	2		
19	74322152	Collar (3)	6502902		1		
20	74322440	Oil Seal		AC1700E0	1		
21	74322163	Seal Retainer	6502900		1		
22	74300665	Hex Soc Cap Screw		M6X15 (Unbrako)	2		
23	74322150	Seal Collar	6502898		1		
24	74730202	Point (U)	6502906 A		1		
25	74322637	Set Screw		M6X8 (Unbrako)	2		
26	74322411	Key (Single Round)		[P7 TYPE-1] 5X5X16	1		
27	74350701	Pin	0812100		1		
28	74302857	Hex Soc Cap Screw		M5X20 LOC-WEL (Unbrako)	2		
29	74314622	Snap Ring		STW-13	2		
30	74322222	Clamp Shaft	6501943 A		1		

05

Intermediate Drive(Upper)(3)

Unit No. 05
Intermediate Drive(Upper)(3)



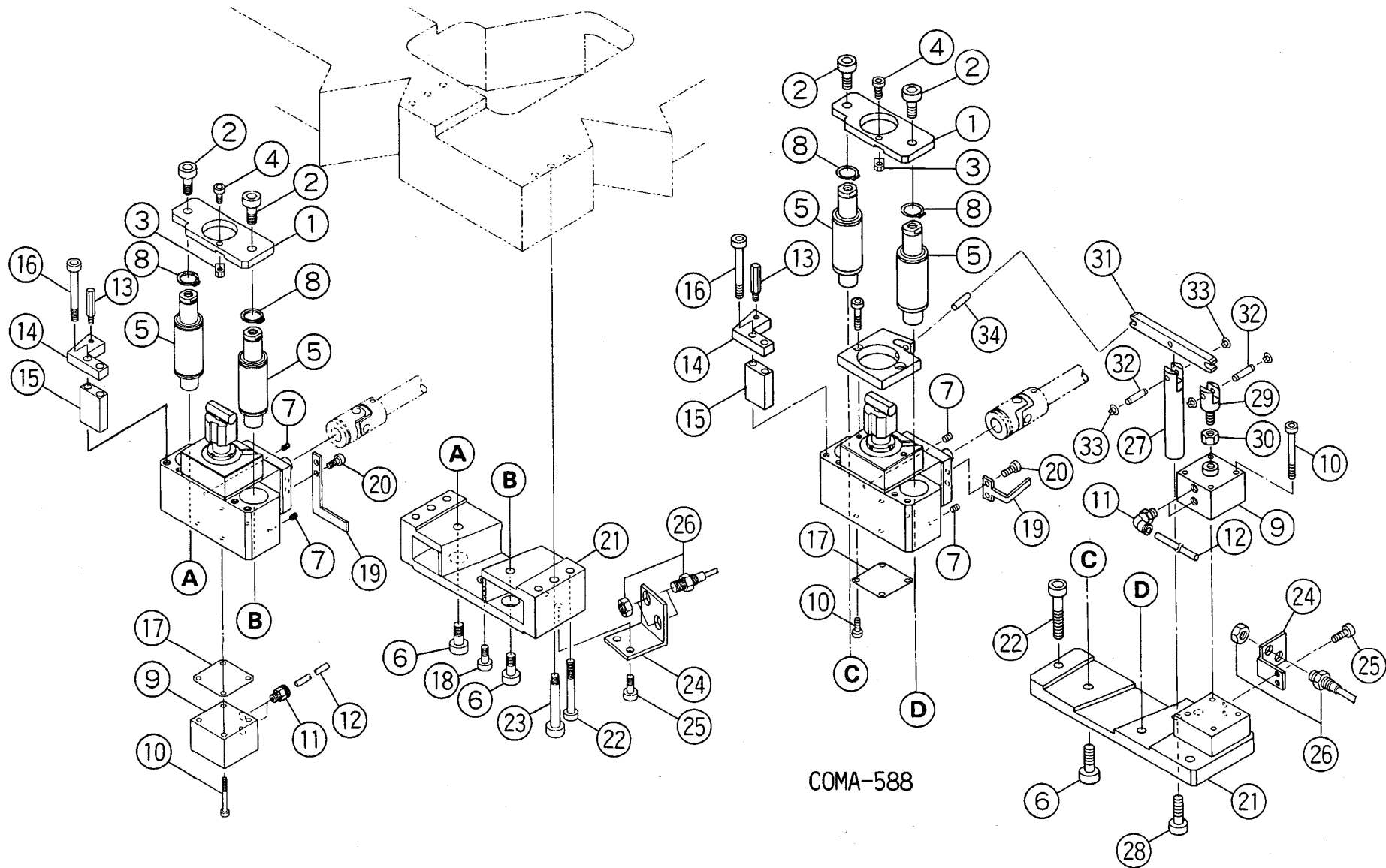
Index	Parts Number	Parts Name	Drawing No.	Type(Maker)	Q'ty	Note	Rev.No.
1	74322235	Driven Pin	6501944 A		2		
2	74302857	Hex Soc Cap Screw		M5X20 LOC-WEL (Unbrako)	4		
3	74322230	Pin Support (U)	6501945 A		2		
4	74302864	Set Screw		M10X8 LOC-WEL (Unbrako)	4		
5	74322161	Bearing Retainer	6501939		2		
6	74300665	Hex Soc Cap Screw		M6X15 (Unbrako)	4		
7	74313711	Bearing Nut		AN03	2		
8	74314905	Bearing Washer		AW03	2		
9	74322136	Point Case	6501935 A		2		
10	74322404	Ball Bearing Set		7003DB	2		
11	74374423	Hex Soc Cap Screw		M8X35 (Unbrako)	8		
12	74322153	Adjusting Collar (2)	6502917		2		
13	74322348	Drive Bevel Gear (U)	6502914		2		
14	74322204	Cover	6502918		2		
15	74306424	Button Head Machine Screw		M6X10	8		
16	74322212	Coupling	6501941 A		2		
17	74302864	Set Screw		M10X8 LOC-WEL (Unbrako)	8		
18	74322121	Gear Box (U)	6501928 B		2		

Index	Parts Number	Parts Name	Drawing No.	Type(Maker)	Q'ty	Note	Rev.No.
19	74319629	Hex Soc Cap Screw		M8X55 (Unbrako)	4		
20	74322512	Locating Pin		JPDA8-12	2		
21	74305504	Set Screw		M6X6 FLAT END	2		
22	74322026	Driven Shaft	6501933 A		2	2"	
	74322027	Driven Shaft	6501934 A		2	1-1/4"	
23	74322401	Ball Bearing		#6901ZZ	2		
24	74322601	Straight Pin		[M6]D4X20	2		
25	74322502	Snap Ring		STW-23	2		
26	74322350	Driven Bevel Gear	6502916 A		2		
27	74322147	Adjusting Collar	6501931 A		2		
28	74310533	Hex Soc Cap Screw		M8X20 (Unbrako)	8		
29	74322402	Ball Bearing		#7001	4		
30	74322135	Unit Case	6501930		2		
31	74322148	Collar	6501938		2		
32	74322448	Bearing Nut		AN01 (NTN)	2		
33	74322450	Bearing Washer		AW01 (NTN)	2		
34	74730204	Cover	6501940 A		2		
35	74300546	Hex Soc Cap Screw		M6X12 (Unbrako)	4		

06

Intermediate Drive(Lower)(1)

Unit No. 06
Intermediate Drive (Lower) (1)



Index	Parts Number	Parts Name	Drawing No.	Type(Maker)	Q'ty	Note	Rev.No.
1	74322043	Point Plate	6501924		1		
2	74374421	Hex Soc Cap Screw		M10X25 (Unbrako)	2		
3	74322335	Key	6502905		1		
4	74300665	Hex Soc Cap Screw		M6X15 (Unbrako)	1		
5	74322362	Free Motion Bearing	7830088		2		
6	74374421	Hex Soc Cap Screw		M10X25 (Unbrako)	2		
7	74322636	Set Screw		M4X8	2		
8	74305214	Snap Ring		STW-20	2		
9	74322428	Cylinder (Thin)		10S-1 SD40-N10 (Taiyo)	1		
10	10560101	Button Head Socket Screw		M5X10	4	COMA-588	
	74300648	Hex Soc Cap Screw		M5X45 (Unbrako)	4		
11	74351914	Connector		EC6-PT1/8 (Nitta)	2		
12	74310213	Tube		N2-4-6X4 5m (Nitta)	1		
13	74322111	Brake Push Rod	6501927		1		
14	74322101	Proximity Switch Dog (U)	6501926 A		1		
15	74322260	Spacer (L)	6502904		1		
16	74310531	Hex Soc Cap Screw		M8X70 (Unbrako)	2		
17	74322340	Packing	6502907		1		

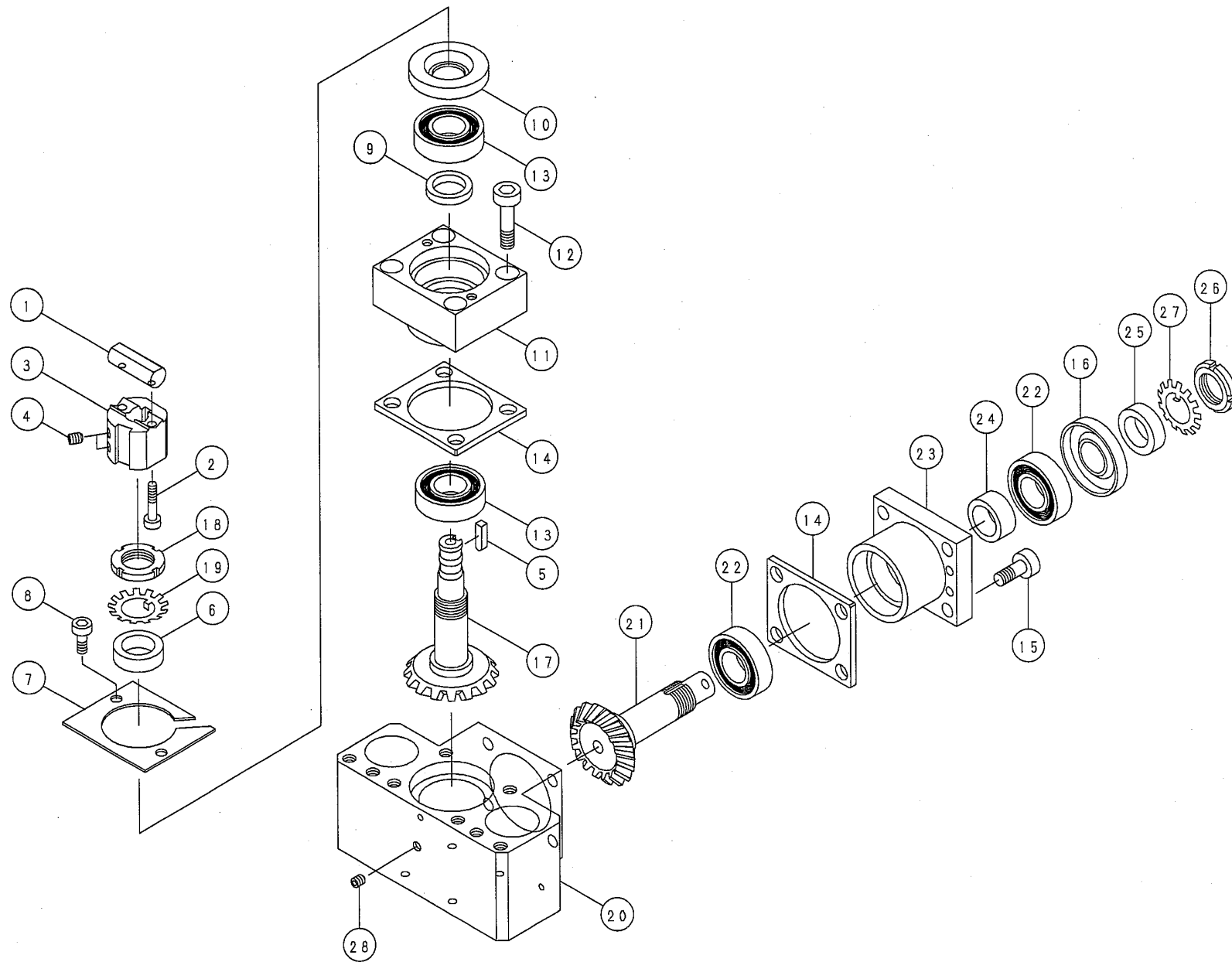
Index	Parts Number	Parts Name	Drawing No.	Type(Maker)	Q'ty	Note	Rev.No.
17	74730307	Spacer	6520789		1	WITHOUT COMA-588	
18	74310533	Hex Soc Cap Screw		M8X20 (Unbrako)	1		
19	74322102	Dog	6501949		1	P357,367,345Q,345K, C567,557	
	74730304	Dog	6520776		1	COMA-588	
20	74300665	Hex Soc Cap Screw		M6X15 (Unbrako)	2		
21	74322052	Gear Box Bracket	6501923		1	P357,367,345Q,345K, C567,557	
	74730302	Gear Box Bracket	6520773 A		1	COMA-588	
22	74310531	Hex Soc Cap Screw		M8X70 (Unbrako)	4	P357,367,345Q,345K, C567,557	
	36113119	Hex Soc Cap Screw		M10X40	3	COMA-588	
23	74334411	Stripper Bolt		MSB10-60	2	WITHOUT COMA-588	
24	74322054	Proximity Switch Bracket	6501948		1	P357,367,345Q,345K, C567,557	
	74730303	Proximity Switch Bracket	6520775		1	COMA-588	
25	74310533	Hex Soc Cap Screw		M8X20 (Unbrako)	2		
26	74322420	Proximity Switch		CABLE 5M TL-X2F1 (OMRON)	2		
27	74730306	Stand	6520778		1		
28	44028704	Hex Soc Cap Screw		M10X20	1		
29	75423301	Knuckle Joint	6045715		1		
30	10001517	Nut		M8	1		

Index	Parts Number	Parts Name	Drawing No.	Type(Maker)	Q'ty	Note	Rev.No.
31	74730305	Clamp Lever	6520777		1		
32	75423302	A/I Cylinder Pin	6045751		2		
33	10435612	Snap Ring		STW-6	4		
34	74730301	Straight Pin		D6X22	1		

07

Intermediate Drive(Lower)(2)

Unit No. 07
Intermediate Drive(Lower)(2)



Ver. 1

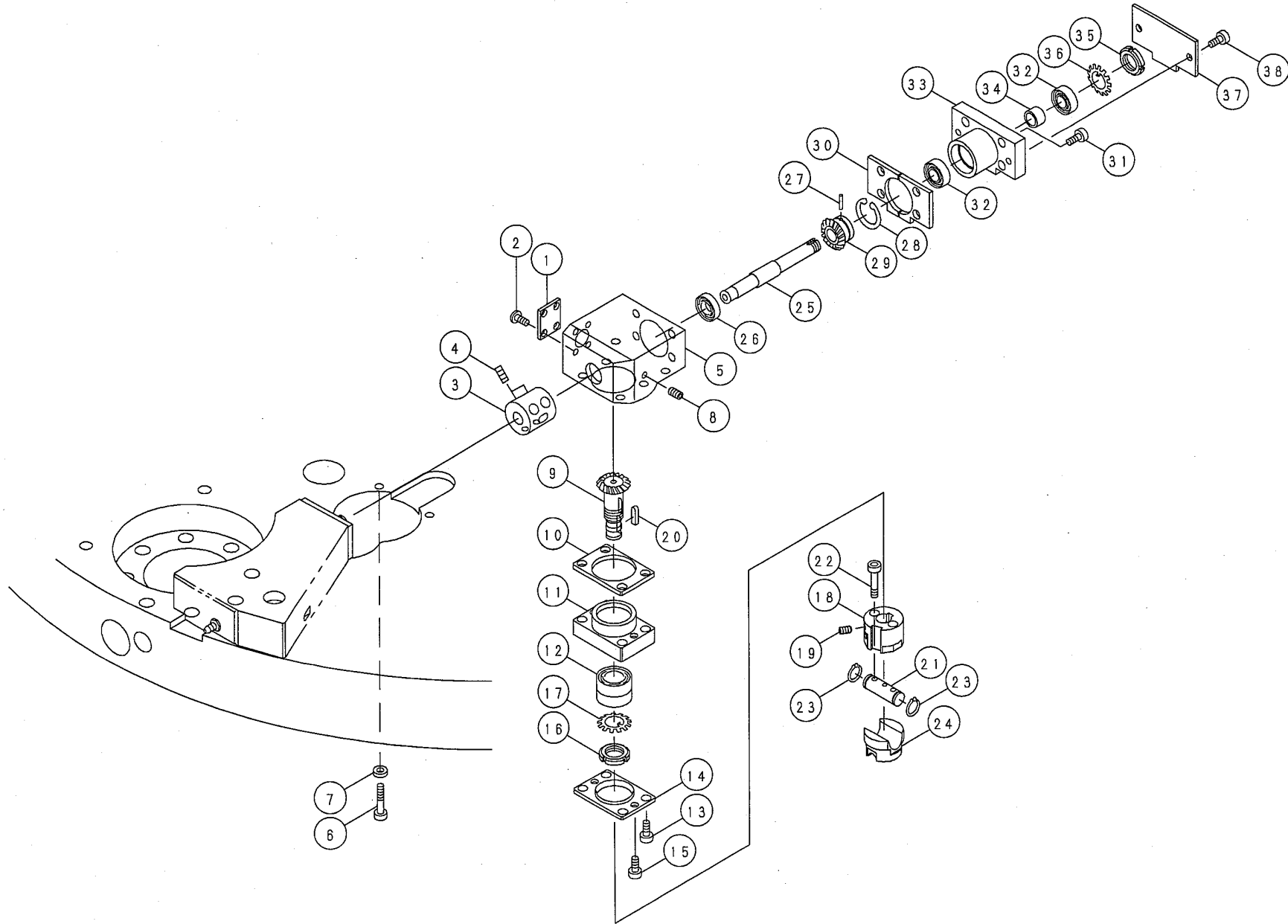
Index	Parts Number	Parts Name	Drawing No.	Type(Maker)	Q'ty	Note	Rev.No.
1	74322235	Driven Pin	6501944 A		1		
2	74304939	Hex Soc Cap Screw		M5X25 LOC-WEL (Unbrako)	2		
3	74322231	Pin Support (L)	6501946		1		
4	74302867	Set Screw		M6X8 LOC-WEL (Unbrako)	2		
5	74322411	Key (Single Round)		[P7 TYPE-1] 5X5X16	1		
6	74322150	Seal Collar	6502898		1		
7	74322163	Seal Retainer	6502900		1		
8	74300665	Hex Soc Cap Screw		M6X15 (Unbrako)	2		
9	74322152	Collar (3)	6502902		1		
10	74322440	Oil Seal		AC1700E0	1		
11	74322140	Point Case	6502899 A		1	P357,367,345Q,345K, C567,557	
	74730308	Point Case	6520797 A		1	COMA-588	
12	74374423	Hex Soc Cap Screw		M8X35 (Unbrako)	4	P357,367,345Q,345K, C567,557	
	74302813	Hex Soc Cap Screw		M6X12 (Unbrako)	2	COMA-588	
13	74322403	Ball Bearing		#7004	2		
14	74322149	Adjusting Collar	6502897 A		2		
15	74310533	Hex Soc Cap Screw		M8X20 (Unbrako)	4		
16	74322441	Oil Seal		AC1700EU	1		

Index	Parts Number	Parts Name	Drawing No.	Type(Maker)	Q'ty	Note	Rev.No.
17	74322347	Center Bevel Gear (L)	6502913		1		
18	74332627	Bearing Nut		AN04	1		
19	74332631	Bearing Washer		AW04	1		
20	74322123	Clamp Gear Box	6502895 A		1		
21	74322345	Drive Bevel Gear	6502911		1		
22	74322403	Ball Bearing		#7004	2		
23	74322139	Unit Case	6502896		1		
24	74322151	Collar (2)	6502901		1		
25	74322150	Seal Collar	6502898		1		
26	74332627	Bearing Nut		AN04	1		
27	74332631	Bearing Washer		AW04	1		
28	74305504	Set Screw		M6X6 FLAT END	1		

08

Intermediate Drive(Lower)(3)

Unit No. 08
Intermediate Drive(Lower)(3)



Ver. 1

Index	Parts Number	Parts Name	Drawing No.	Type(Maker)	Q'ty	Note	Rev.No.
1	74322204	Cover	6502918		2		
2	74306424	Button Head Machine Screw		M6X10	8		
3	74322212	Coupling	6501941 A		2		
4	74302864	Set Screw		M10X8 LOC-WEL (Unbrako)	8		
5	74730309	Gear Box (L)	6501929 C		2		
6	74310531	Hex Soc Cap Screw		M8X70 (Unbrako)	4		
7	74314204	Washer (M8)	0827367		4		
8	74305504	Set Screw		M6X6 FLAT END	2		
9	74322349	Drive Bevel Gear (L)	6502915		2		
10	74322153	Adjusting Collar (2)	6502917		2		
11	74322136	Point Case	6501935 A		2		
12	74322404	Ball Bearing Set		7003DB	2		
13	74374423	Hex Soc Cap Screw		M8X35 (Unbrako)	8		
14	74322161	Bearing Retainer	6501939		2		
15	74300665	Hex Soc Cap Screw		M6X15 (Unbrako)	4		
16	74313711	Bearing Nut		AN03	2		
17	74314905	Bearing Washer		AW03	2		
18	74322217	Point (D)	6501942		2		

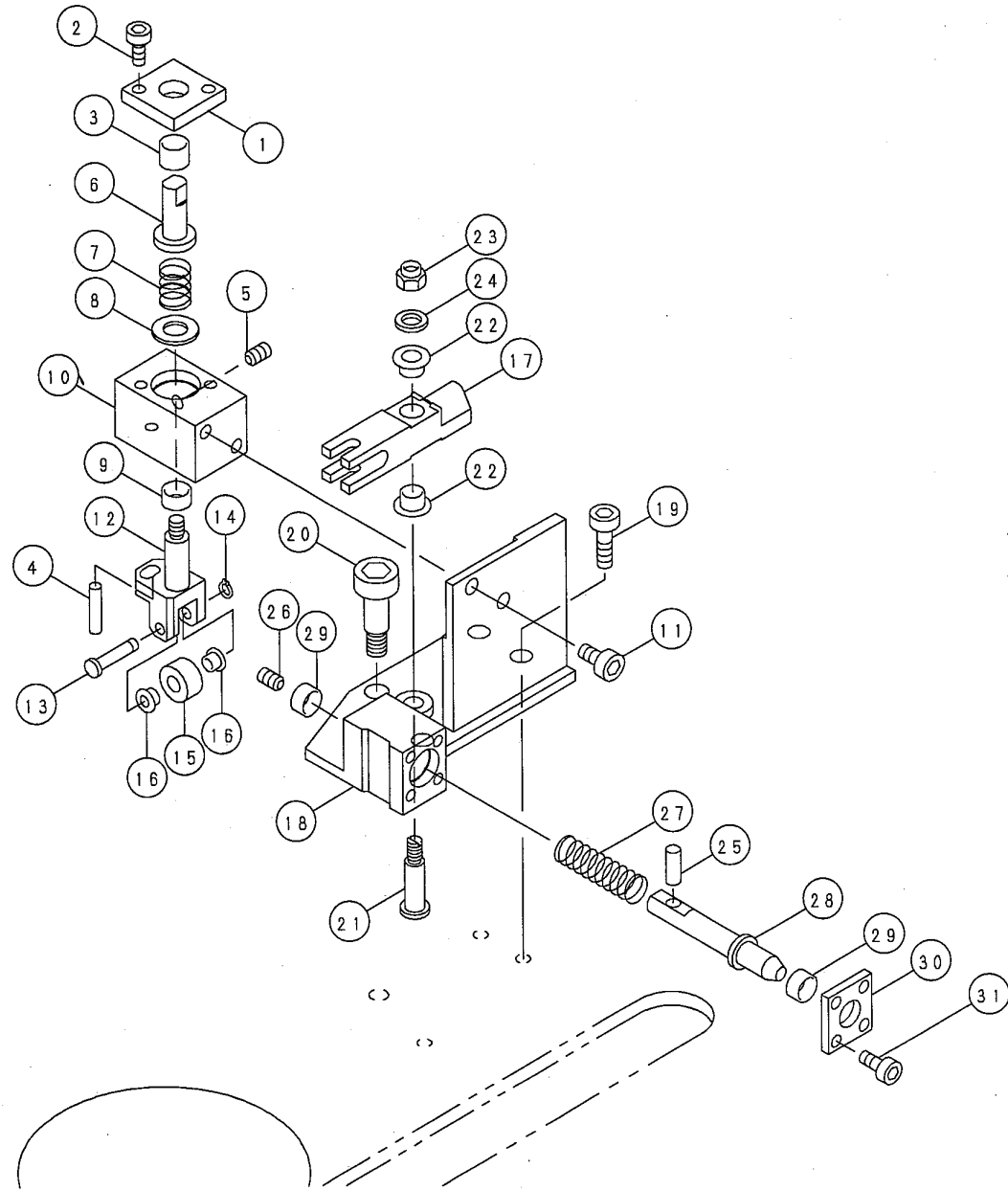
Index	Parts Number	Parts Name	Drawing No.	Type(Maker)	Q'ty	Note	Rev.No.
19	74302867	Set Screw		M6X8 LOC-WEL (Unbrako)	4		
20	74322411	Key (Single Round)		[P7 TYPE-1] 5X5X16	2		
21	74350701	Pin	0812100		2		
22	74302857	Hex Soc Cap Screw		M5X20 LOC-WEL (Unbrako)	4		
23	74314622	Snap Ring		STW-13	4		
24	74322222	Clamp Shaft	6501943 A		2		
25	74322026	Driven Shaft	6501933 A		2	2"	
	74322027	Driven Shaft	6501934 A		2	1-1/4"	
26	74322401	Ball Bearing		#6901ZZ	2		
27	74322601	Straight Pin		[M6]D4X20	2		
28	74322502	Snap Ring		STW-23	2		
29	74322350	Driven Bevel Gear	6502916 A		2		
30	74322147	Adjusting Collar	6501931 A		2		
31	74310533	Hex Soc Cap Screw		M8X20 (Unbrako)	8		
32	74322402	Ball Bearing		#7001	4		
33	74322135	Unit Case	6501930		2		
34	74322148	Collar	6501938		2		
35	74322448	Bearing Nut		AN01 (NTN)	2		

Index	Parts Number	Parts Name	Drawing No.	Type(Maker)	Q'ty	Note	Rev.No.
36	74322450	Bearing Washer		AW01 (NTN)	2		
37	74730310	Cover	6501940 A		2		
38	74300546	Hex Soc Cap Screw		M6X12 (Unbrako)	4		

09

Turret Brake(Upper)

Unit No. 09
Turret Brake(Upper)



Ver. 1

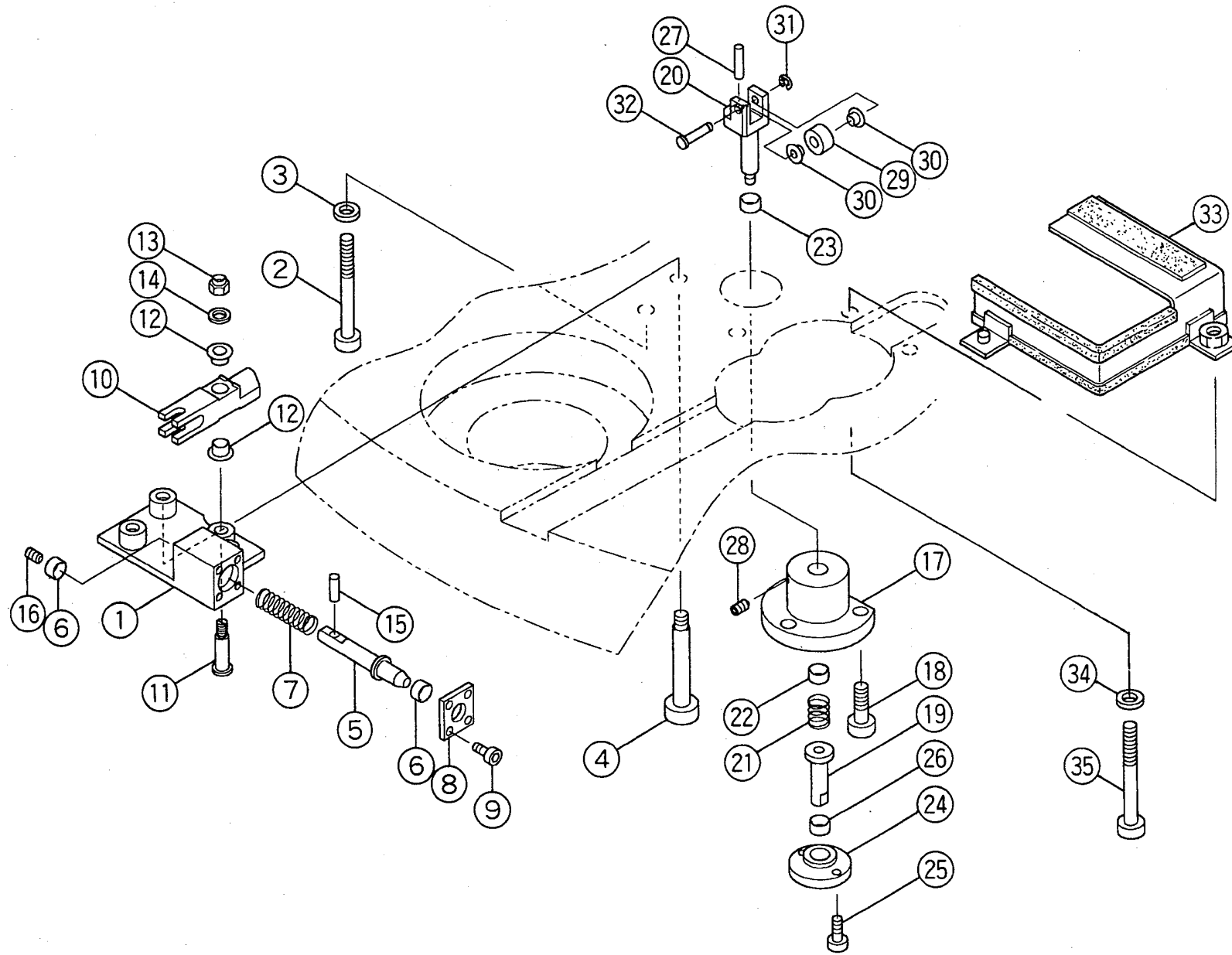
Index	Parts Number	Parts Name	Drawing No.	Type(Maker)	Q'ty	Note	Rev.No.
1	74322310	Cap (U)	6501993		4		
2	74300530	Hex Soc Cap Screw		M5X12 (Unbrako)	8		
3	74322518	Oilless Metal Bushing		MB1006DU (Daido)	4		
4	74322602	Straight Pin		[M6]D5X22	4		
5	74302866	Set Screw		M6X6 LOC-WEL (Unbrako)	4		
6	74322112	Brake Rod U (1)	6501989		4		
7	74322011	Brake Spring (2)	6501991		4		
8	74322545	Thrust Washer		WC08DUN (Daido)	4		
9	74322518	Oilless Metal Bushing		MB1006DU (Daido)	4		
10	74322137	Brake Case (U)	6501988		4		
11	74300546	Hex Soc Cap Screw		M6X12 (Unbrako)	8		
12	74322113	Brake Rod U (2)	6501990 A		4		
13	74322238	Pin (2)	6501992		4		
14	74322501	Snap Ring		ETWJ-4	4		
15	74322322	Roller	6501998		4		
16	74322520	Oilless Metal Bushing		MB0504-10FDU (Daido)	8		
17	74322317	Lever	6501986 B		4		
18	74322058	Brake Bracket (1)	6501981		4		

Index	Parts Number	Parts Name	Drawing No.	Type(Maker)	Q'ty	Note	Rev.No.
19	74310533	Hex Soc Cap Screw		M8X20 (Unbrako)	12		
20	74322526	Stripper Bolt		MSB10-20 (Misumi)	4		
21	74322237	Pin (1)	6501987 A		4		
22	74314920	Oilless Metal Bushing		MB0806-15FDU (Daido)	8		
23	74322645	U Nut		M6 TYPE-2[SS400] (Fuji)	4		
24	74302328 (44027930)	Washer		M6	4		
25	74322603	Straight Pin		[M6]D6X16	4		
26	74302866	Set Screw		M6X6 LOC-WEL (Unbrako)	4		
27	74322010	Brake Spring (1)	6501985		4		
28	74322236	Brake Pin	6501983		4		
29	74322518	Oilless Metal Bushing		MB1006DU (Daido)	8		
30	74322309	Cap	6501984		4		
31	74300530	Hex Soc Cap Screw		M5X12 (Unbrako)	16		

10

Turret Brake(Lower)

Unit No. 10
Turret Brake(Lower)



Ver. 1

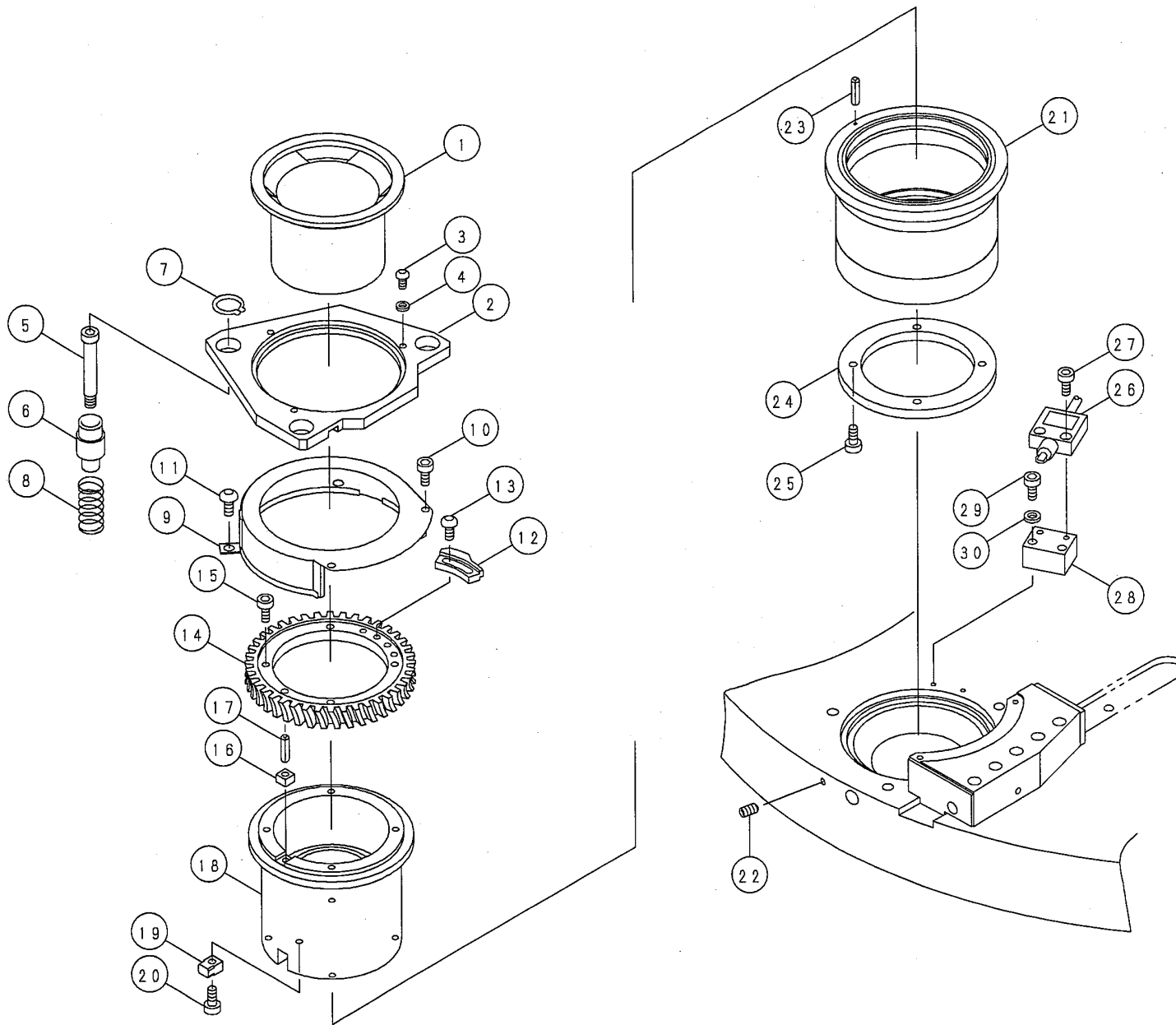
Index	Parts Number	Parts Name	Drawing No.	Type(Maker)	Q'ty	Note	Rev.No.
1	74322059	Brake Bracket (L)	6501982		4		
2	74310531	Hex Soc Cap Screw		M8X70 (Unbrako)	8		
3	74314204	Washer (M8)	0827367		8		
4	74322527	Stripper Bolt		MSB10-55 (Misumi)	4		
5	74322236	Brake Pin	6501983		4		
6	74322519	Oilless Metal Bushing		MB1006DV (Daido)	8		
7	74322010	Brake Spring (1)	6501985		4		
8	74322309	Cap	6501984		4		
9	74300530	Hex Soc Cap Screw		M5X12 (Unbrako)	16		
10	74322317	Lever	6501986 B		4		
11	74322237	Pin (1)	6501987 A		4		
12	74314920	Oilless Metal Bushing		MB0806-15FDU (Daido)	8		
13	74322645	U Nut		M6 TYPE-2[SS400] (Fuji)	4		
14	74302328 (44027930)	Washer		M6	4		
15	74322603	Straight Pin		[M6]D6X16	4		
16	74302866	Set Screw		M6X6 LOC-WEL (Unbrako)	4		
17	74322138	Brake Case (L)	6501994		4		
18	74304961	Hex Soc Cap Screw		M8X25 (Unbrako)	12		

Index	Parts Number	Parts Name	Drawing No.	Type(Maker)	Q'ty	Note	Rev.No.
19	74322114	Brake Rod L (1)	6501995		4		
20	74322115	Brake Rod L (2)	6501996 A		4		
21	74322011	Brake Spring (2)	6501991		4		
22	74322545	Thrust Washer		WC08DUN (Daido)	4		
23	74322518	Oilless Metal Bushing		MB1006DU (Daido)	4		
24	74322311	Cap (L)	6501997		4		
25	74300665	Hex Soc Cap Screw		M6X15 (Unbrako)	8		
26	74322518	Oilless Metal Bushing		MB1006DU (Daido)	4		
27	74322602	Straight Pin		[M6]D5X22	4		
28	74302866	Set Screw		M6X6 LOC-WEL (Unbrako)	4		
29	74322322	Roller	6501998		4		
30	74322520	Oilless Metal Bushing		MB0504-10FDU (Daido)	8		
31	74322238	Pin (2)	6501992		4		
32	74322501	Snap Ring		ETWJ-4	4		
33	74730402	Scrap Gaurd	6575766		4		
34	74309806	Hex Soc Cap Screw		M8X70	4		
35	74730401	Washer (M8)	0827367		4		

11

Upper Turret 2 Inch(1)

Unit No. 11
Upper Turret2"(1)



Ver. 1

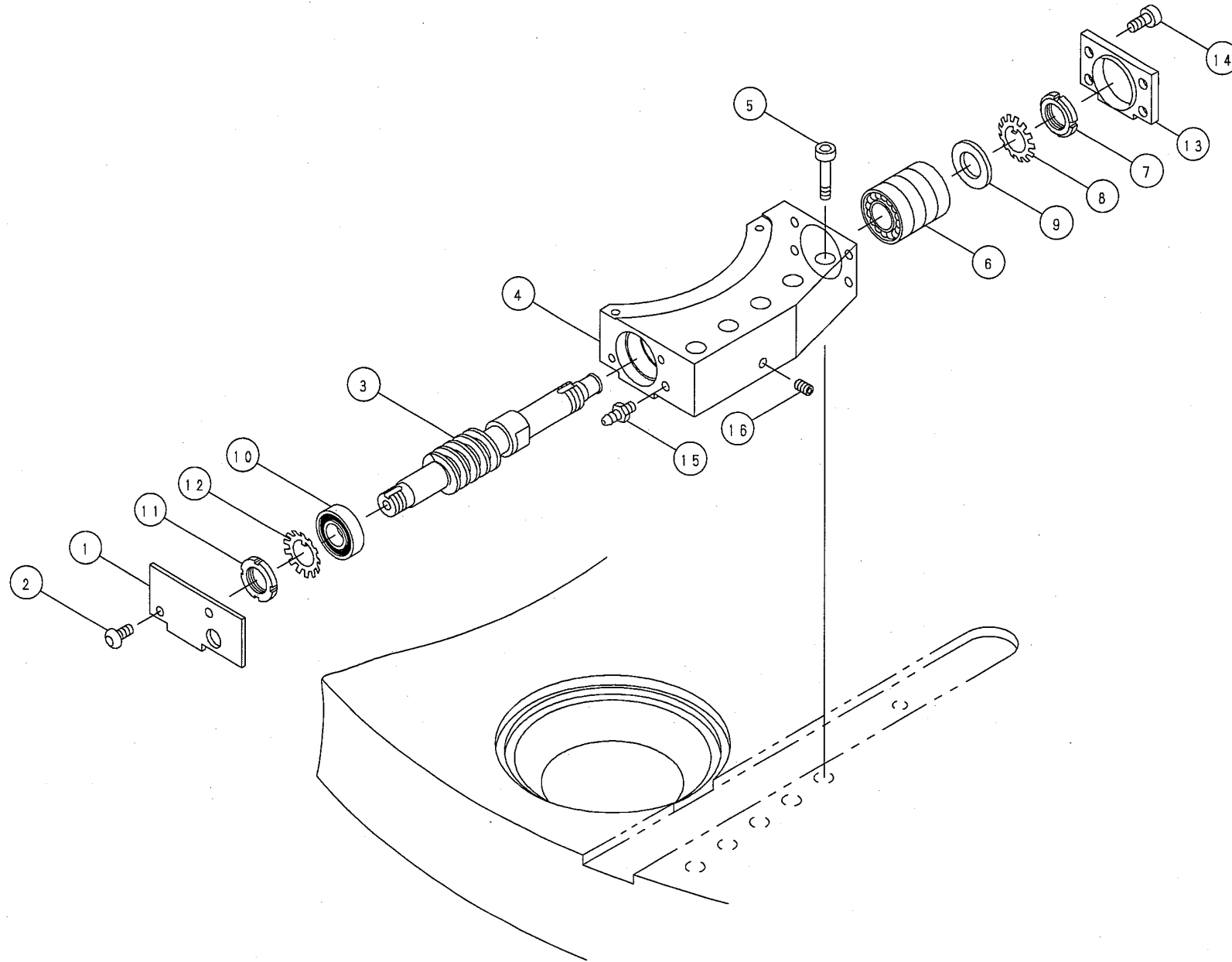
Index	Parts Number	Parts Name	Drawing No.	Type(Maker)	Q'ty	Note	Rev.No.
1	74312314	Lifter Ring (A)	0812305		2		
2	74322301	Link Holder (2inch)	6501965		2		
3	74355403	Button Head Socket Screw		M6X10	6		
4	74313429	Washer (M6)	0821819		6		
5	74312751 (74165216)	Shoulder Screw	5501017 C		6		
6	74312307 (74058932)	Lifter Collar	0822424 A		6		
7	74314617	Snap Ring		STW-22	6		
8	74312318	Lifter Spring	0827241 A		6		
9	74322206	Wheel Cover (2inch)	6501967		2		
10	74300665	Hex Soc Cap Screw		M6X15 (Unbrako)	4		
11	74311210	Button Head Socket Screw		M5X10	4		
12	74322103	Switch Dog (2inch)	6501950		2		
13	74300624	Button Head Socket Screw		M6X15	4		
14	74312625	Worm Wheel (U)	0812301		2		
15	74301625	Hex Soc Cap Screw		M6X20 LOC-WEL (Unbrako)	8		
16	74313917	Wheel Key	0822421 A		2		
17	74314917	Spring Pin		D6X14	2		
18	74312360	Guide Holder (A)	0812412		2		

Index	Parts Number	Parts Name	Drawing No.	Type(Maker)	Q'ty	Note	Rev.No.
19	74312337	Guide Key	0812309 A		2		
20	74301625	Hex Soc Cap Screw		M6X20 LOC-WEL (Unbrako)	2		
21	74312731	Guide Bushing (U)	0812418 A		2		
22	74305504	Set Screw		M6X6 FLAT END	2		
23	74314911	Spring Pin		D3X14	2		
24	74312664	Seal Retainer	0812308		2		
25	74304940 (75420718)	Hex Soc Cap Screw		M6X15 LOC-WEL (Unbrako)	8		
26	74351722	Limit Switch		14CE8-1J (Yamatake)	2		
27	74300647	Hex Soc Cap Screw		M5X20 (Unbrako)	4		
28	74313219	Ls Base	0811852		2		
29	74300555	Hex Soc Cap Screw		M6X35 (Unbrako)	4		
30	74302328 (44027930)	Washer		M6	4		

12

Upper Turret 2 Inch, 1-1/4 Inch(2)

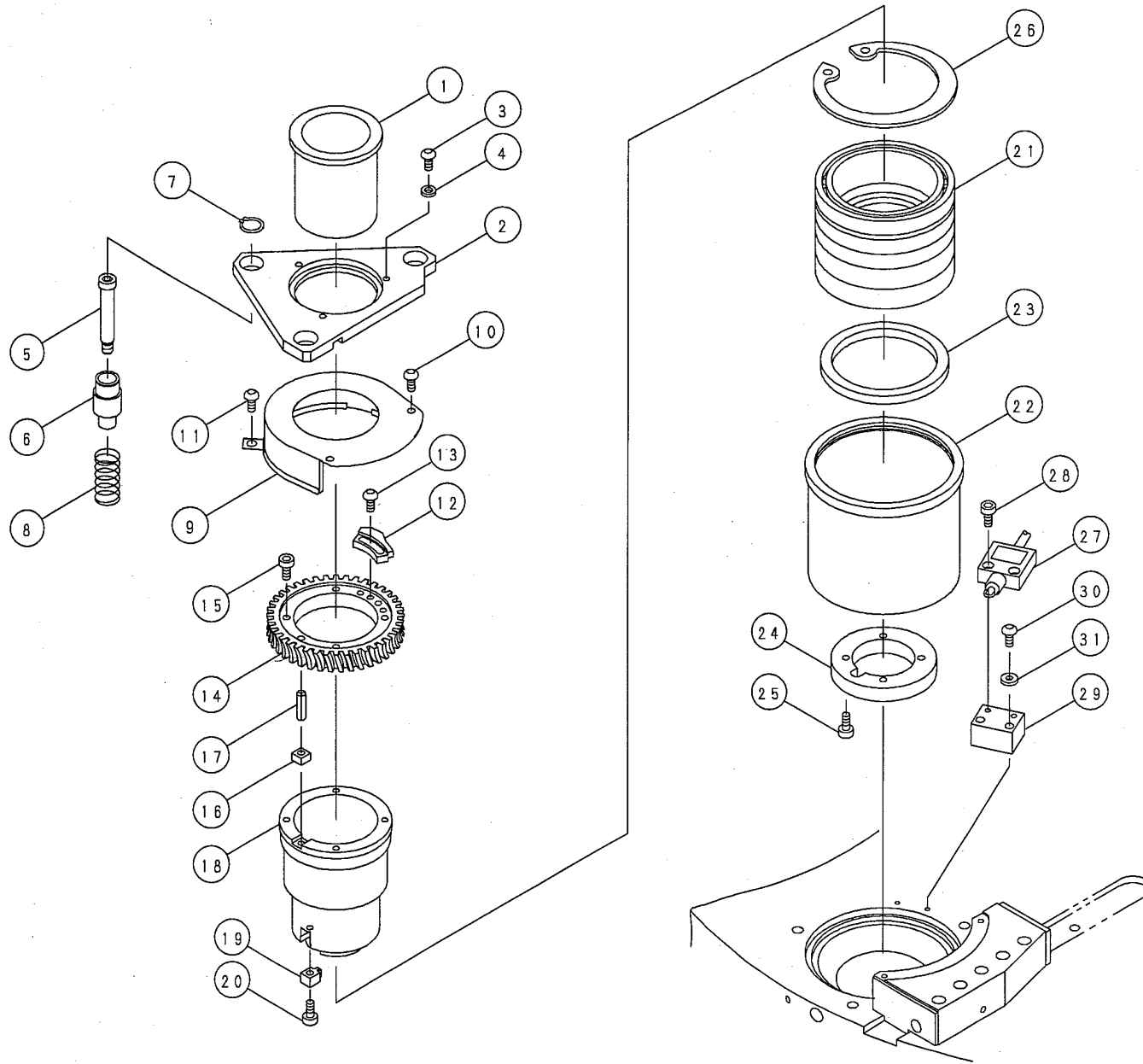
Unit No. 12
Upper Turret 2", 1-1/4" (2)



Index	Parts Number	Parts Name	Drawing No.	Type(Maker)	Q'ty	Note	Rev.No.
1	74322202	Cover	6501959		2		
2	74183301	Button Head Machine Screw		M5X10	4		
3	74730501	Warm Shaft	6501952 A		2	2"	
	74730502	Warm Shaft	6501953 A		2	1-1/4"	
4	74322245	Warm Housing U	6501954		2	2"	
	74322247	Warm Housing U	6501956		2	1-1/4"	
5	74374425	Hex Soc Cap Screw		M10X50 (Unbrako)	10		
6	74312511	Ball Bearing	7932023	7003DBB (NSK)	2		
7	74313711	Bearing Nut		AN03	2		
8	74314905	Bearing Washer		AW03	2		
9	74313812	Seal	0822398		2		
10	74310515	Ball Bearing		6002ZZ (NSK)	2		
11	74322449	Bearing Nut		AN02	2		
12	74322451	Bearing Washer		AW02	2		
13	74322162	Bearing Retainer	6501958		2		
14	74300665	Hex Soc Cap Screw		M6X15 (Unbrako)	8		
15	74304827	Grease Nipple		A-TYPE M6X1	2		
16	74305504	Set Screw		M6X6 FLAT END	2		

Upper Turret 1-1/4 Inch(3)

Unit No. 13
Upper Turret1-1/4"(3)



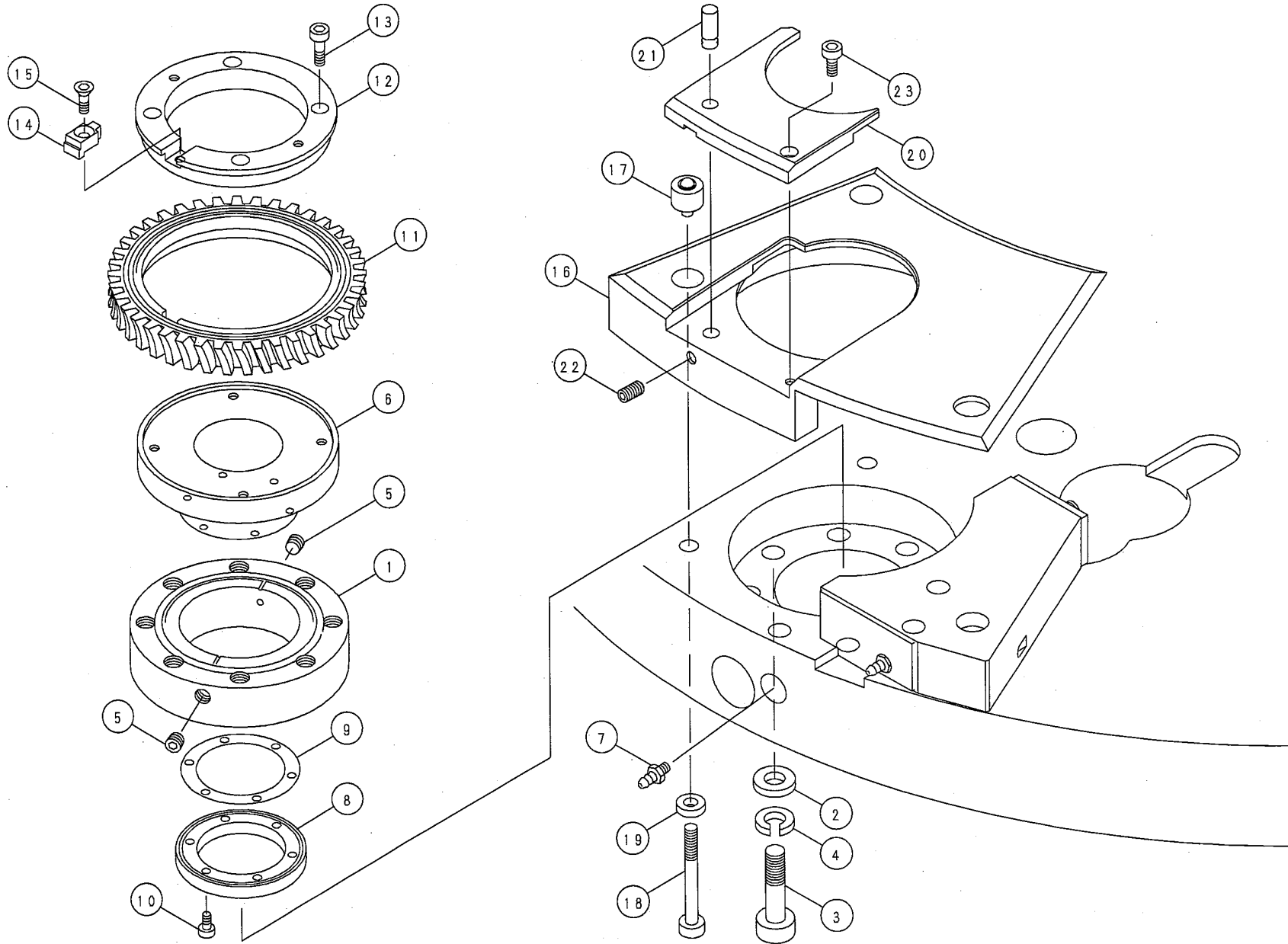
Ver. 1

Index	Parts Number	Parts Name	Drawing No.	Type(Maker)	Q'ty	Note	Rev.No.
1	74312312	Lifter Collar	0822426 C		2		
2	74322302	Link Holder (1 1/4inch)	6501966		2		
3	74355403	Button Head Socket Screw		M6X10	6		
4	74313429	Washer (M6)	0821819		6		
5	74312751 (74165216)	Shoulder Screw	5501017 C		6		
6	74312307 (74058932)	Lifter Collar	0822424 A		6		
7	74314617	Snap Ring		STW-22	6		
8	74312318	Lifter Spring	0827241 A		6		
9	74322207	Wheel Cover (1 1/4inch)	6501968		2		
10	74300665	Hex Soc Cap Screw		M6X15 (Unbrako)	4		
11	74311210	Button Head Socket Screw		M5X10	4		
12	74322104	Switch Dog (1 1/4inch)	6501951		2		
13	74300624	Button Head Socket Screw		M6X15	4		
14	74312628	Worm Wheel (U)	0822422 D		2		
15	74300556	Hex Soc Cap Screw		M6X25 LOC-WEL (Unbrako)	8		
16	74313917	Wheel Key	0822421 A		2		
17	74314917	Spring Pin		D6X14	2		
18	74313911	Guide Holder	0822418 F		2		

Index	Parts Number	Parts Name	Drawing No.	Type(Maker)	Q'ty	Note	Rev.No.
19	74312326 (74058997)	Guide Key	0822420		2		
20	74301625	Hex Soc Cap Screw		M6X20 LOC-WEL (Unbrako)	2		
21	74313904	Upper Bearing Unit	7830023		2		
22	74313906	Bearing Holder (U)	0822415 C		2		
23	74322442	Oil Seal		AG3982E0 D115XD95X9	2		
24	74313914	Seal Retainer	0822419 A		2		
25	74304940 (75420718)	Hex Soc Cap Screw		M6X15 LOC-WEL (Unbrako)	8		
26	74314621	Snap Ring		RTW-125	2		
27	74351722	Limit Switch		14CE8-1J (Yamatake)	2		
28	74300647	Hex Soc Cap Screw		M5X20 (Unbrako)	4		
29	74313219	Ls Base	0811852		2		
30	74300555	Hex Soc Cap Screw		M6X35 (Unbrako)	4		
31	74302328 (44027930)	Washer		M6	4		

Lower Turret 2 Inch(1)

Unit No. 14
Lower Turret2"(1)



Ver. 1

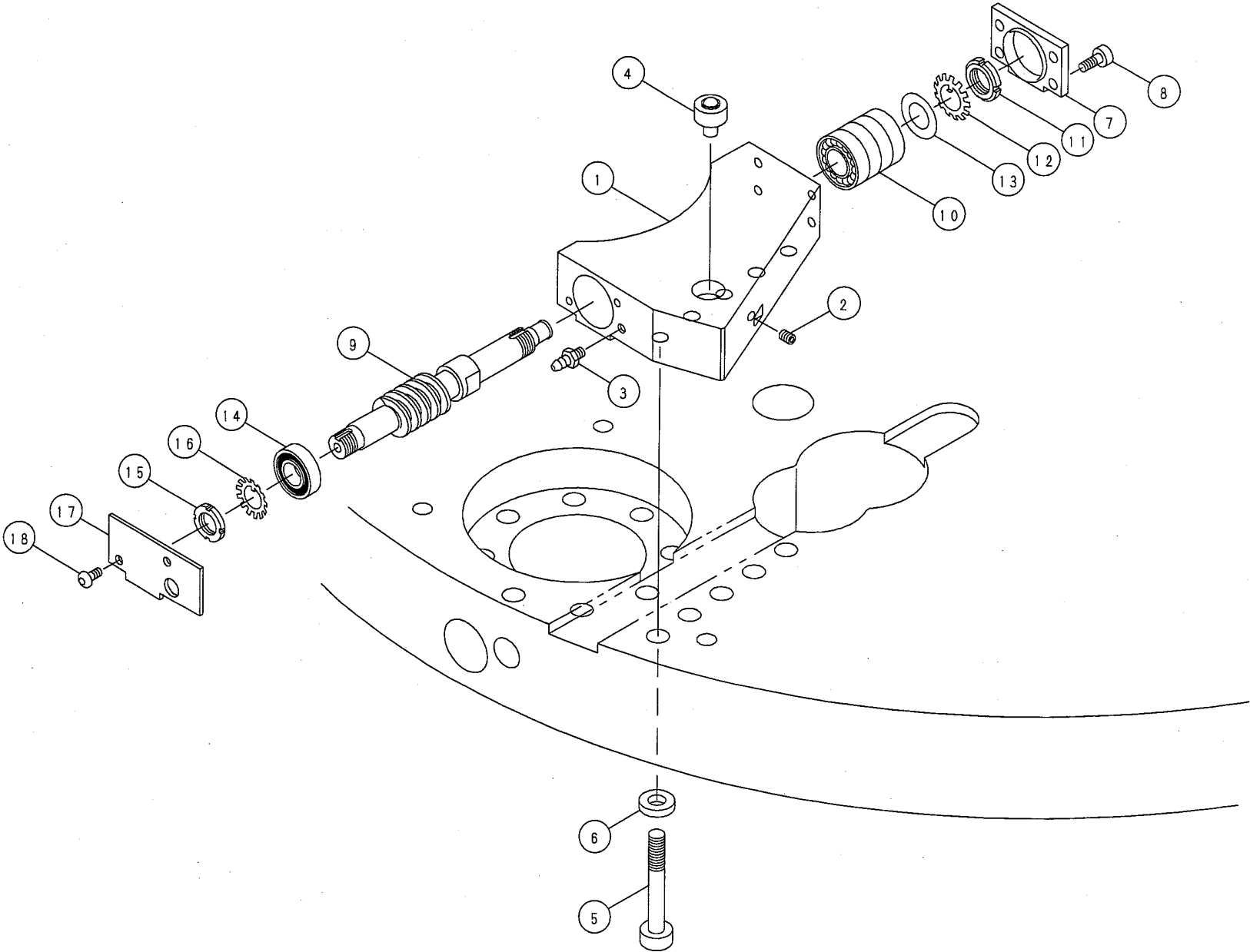
Index	Parts Number	Parts Name	Drawing No.	Type(Maker)	Q'ty	Note	Rev.No.
1	74312732	Guide Bushing (L)	0812447		2		
2	74314203	Washer (M12)	0827014 B		16		
3	74377058	Hex Soc Cap Screw		M12X50 (Unbrako)	16		
4	74301615	Spring Washer		M12	16		
5	74301701	Hex Soc Cap Screw		PT1/8 FOR HYDRO.	4		
6	74312356	Die Holder Retainer (2inch)	0812453		2		
7	74304827	Grease Nipple		A-TYPE M6X1	2		
8	74312666	Flange	0812455		2		
9	74312667	Shim	0812456		2		
10	74309802	Hex Soc Cap Screw		M5X10 (Unbrako)	12		
11	74312626	Worm Wheel (Lower)	0812428		2		
12	74312352	2" Die Holder	0812317 B		2		
13	74301625	Hex Soc Cap Screw		M6X20 LOC-WEL (Unbrako)	8		
14	74312340	Die Key	0812457 A		2		
15	74314612	Countersink Head Socket Screw		M6X14	2		
16	74322255	2" Die Spacer(A)	6501961		2		
17	74312517	Free Motion Bearing		C-3S	4		
18	74314422	Hex Soc Cap Screw		M8X70 LOC-WEL (Unbrako)	4		

Index	Parts Number	Parts Name	Drawing No.	Type(Maker)	Q'ty	Note	Rev.No.
19	74314204	Washer (M8)	0827367		4		
20	74322256	2" Die Spacer(B)	6501962		2		
21	74336926	Grooved Pin	0817076		2		
22	74337501	Ball Plunger		BP-8-H (Jec)	2		
23	74300665	Hex Soc Cap Screw		M6X15 (Unbrako)	2		

15

Lower Turret 2 Inch, 1-1/4 Inch(2)

Unit No. 15
Lower Turret², 1-1/4" (2)



Ver. 1

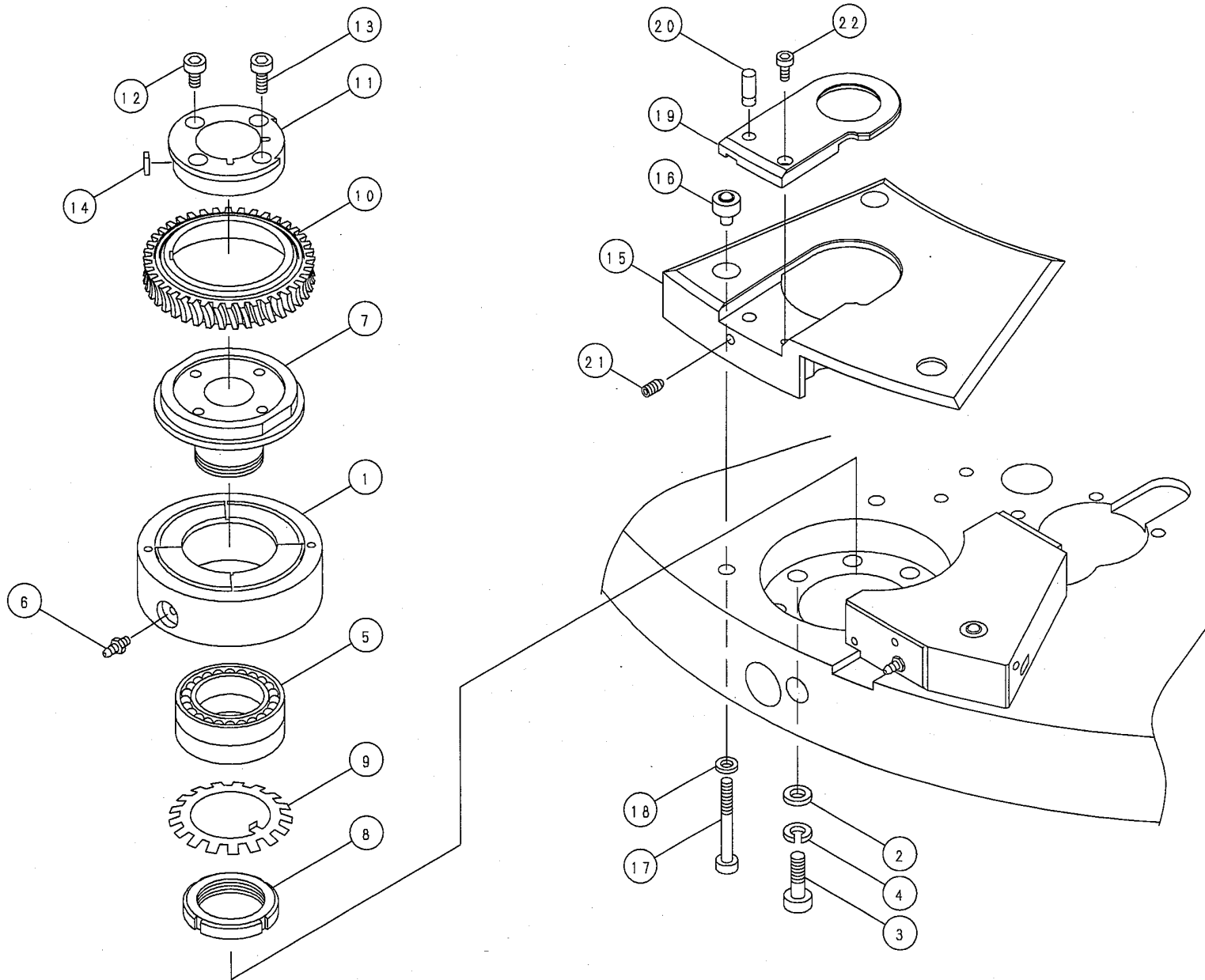
Index	Parts Number	Parts Name	Drawing No.	Type(Maker)	Q'ty	Note	Rev.No.
1	74322246	Warm Housing L	6501955		2	2"	
	74322248	Warm Housing L	6501957 B		2	1-1/4"	
2	74303227	Set Screw		M6X8 FLAT END	2		
3	74304827	Grease Nipple		A-TYPE M6X1	2		
4	74312517	Free Motion Bearing		C-3S (Kyouei)	2		
5	74314423	Hex Soc Cap Screw		M10X70 (Unbrako)	10		
6	74314202	Washer (M10)	0827013 B		10		
7	74322162	Bearing Retainer	6501958		2		
8	74300665	Hex Soc Cap Screw		M6X15 (Unbrako)	8		
9	74730601	Warm Shaft	6501952 A		2	2"	
	74730602	Warm Shaft	6501953 A		2	1-1/4"	
10	74312511	Ball Bearing	7932023	7003DBB	2		
11	74313711	Bearing Nut		AN03	2		
12	74314905	Bearing Washer		AW03	2		
13	74313812	Seal	0822398		2		
14	74310515	Ball Bearing		6002ZZ (NSK)	2		
15	74322449	Bearing Nut		AN02	2		
16	74322451	Bearing Washer		AW02	2		

Index	Parts Number	Parts Name	Drawing No.	Type(Maker)	Q'ty	Note	Rev.No.
17	74322202	Cover	6501959		2		
18	74183301	Button Head Machine Screw		M5X10	4		

16

Lower Turret 1-1/4 Inch(3)

Unit No. 16
Lower Turret1-1/4"(3)



Ver. 1

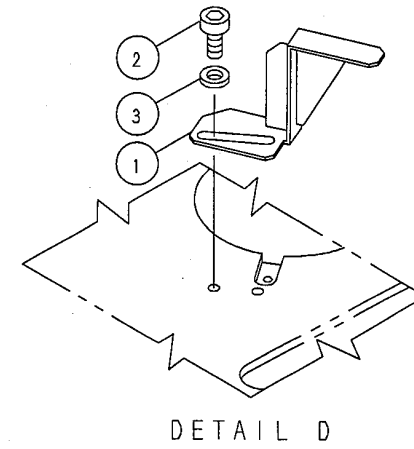
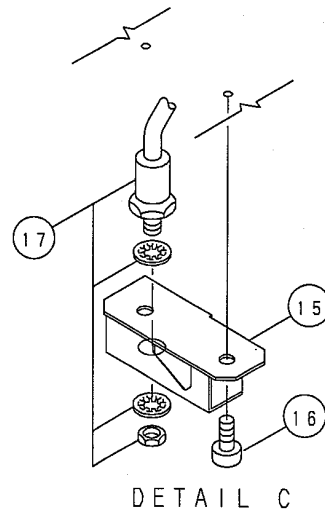
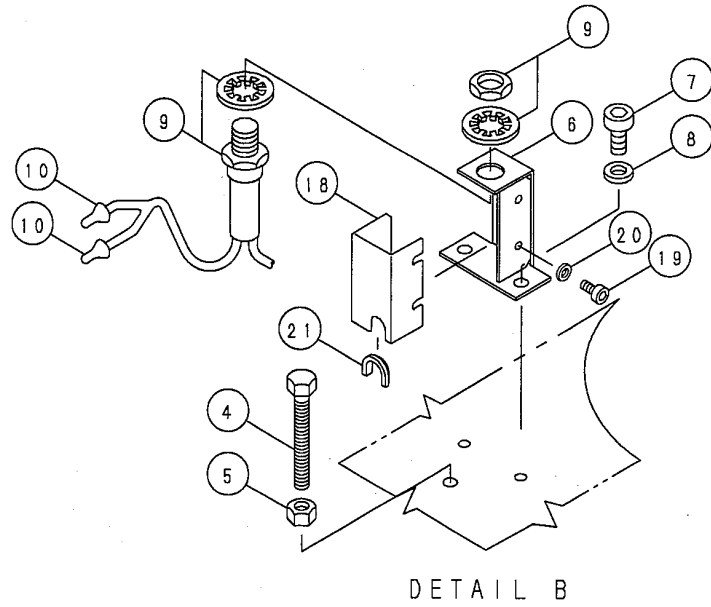
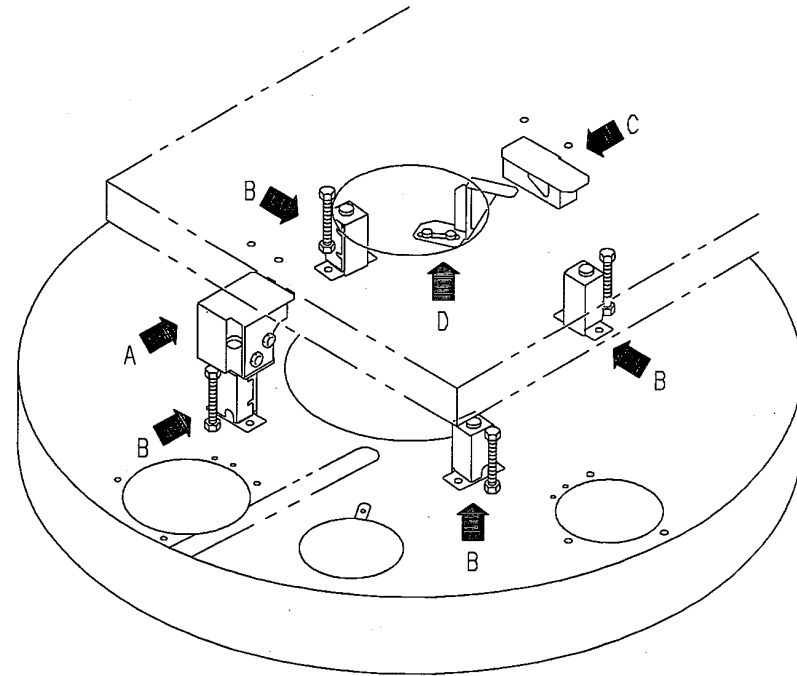
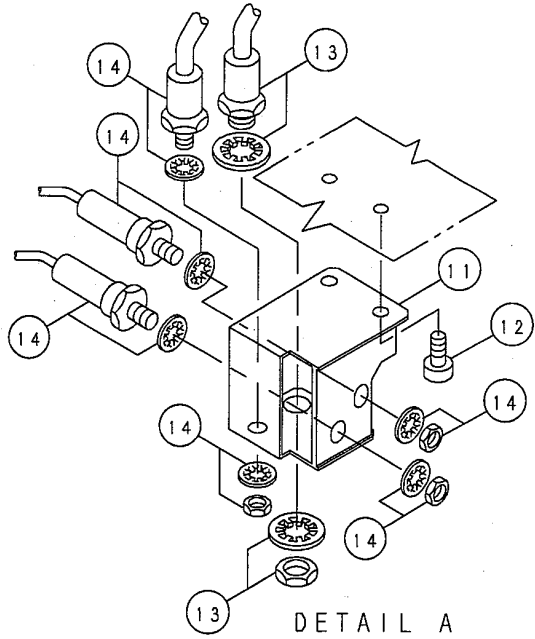
Index	Parts Number	Parts Name	Drawing No.	Type(Maker)	Q'ty	Note	Rev.No.
1	74374804	Bearing Holder (Lower)	0822306 D		2		
2	74314202	Washer (M10)	0827013 B		14		
3	74304948	Hex Soc Cap Screw		M10X35 (Unbrako)	14		
4	74300519	Spring Washer		M10	14		
5	74312417	Ball Bearing	7032017	7010CDB	2		
6	74304827	Grease Nipple		TYPE-A M6X1	2		
7	74313406	Holder Base	0821817 A		2		
8	74313710 (74058931)	Bearing Nut	0822308	AN10	2		
9	74314906	Bearing Washer		AW10	2		
10	74312627 (74058923)	Worm Wheel (L)	0802244 D		2		
11	74312702 (74058920)	Die Holder	0802245 B		2		
12	74314421	Hex Soc Cap Screw		M8X15 LOC-WEL (Unbrako)	4		
13	74314433	Hex Soc Cap Screw		M8X20 LOC-WEL (Unbrako)	4		
14	74322414	Key		TYPE-1 10X8X11L	2		
15	74322257	1 1/4" Die Spacer(A)	6501963		2		
16	74312517	Free Motion Bearing		C-3S	4		
17	74314422	Hex Soc Cap Screw		M8X70 LOC-WEL (Unbrako)	4		
18	74314204	Washer (M8)	0827367		4		

Index	Parts Number	Parts Name	Drawing No.	Type(Maker)	Q'ty	Note	Rev.No.
19	74322258	1 1/4" Die Spacer(B)	6501964		2		
20	74336926	Grooved Pin	0817076		2		
21	74337501	Ball Plunger		BP-8-H (Jec)	2		
22	74300665	Hex Soc Cap Screw		M6X15 (Unbrako)	2		

17

Origin Sensor

Unit No. 17
Origin Sensor

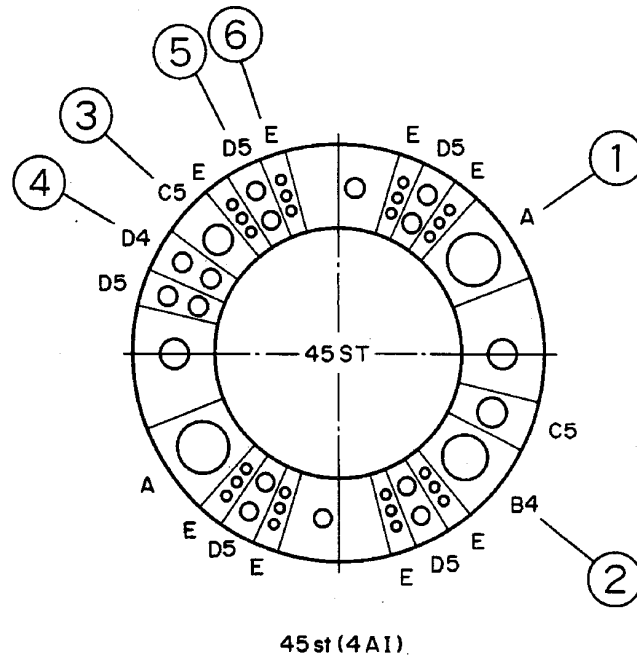


Index	Parts Number	Parts Name	Drawing No.	Type(Maker)	Q'ty	Note	Rev.No.
1	74322105	Origin Dog	6501978 A		1		
2	74307928	Hex Soc Cap Screw		M8X15 (Unbrako)	2		
3	74300511	Washer		M8	2		
4	74322625	Bolt		M10X110 ALL THREAD	4		
5	74304423	Nut		M10	4		
6	74322057	Coupler Bracket	6501979 A		4		
7	74307928	Hex Soc Cap Screw		M8X15 (Unbrako)	8		
8	74300511	Washer		M8	8		
9	74322463	Coupler		F92A (OMRON)	4		
10	74322458	Closed End Connector		CE-2 (Daido)	8		
11	74322055	Proximity Switch Bracket (1)	6501976 B		1		
12	74374402	Hex Soc Cap Screw		M10X20 (Unbrako)	2		
13	74322421	Proximity Switch		CABLE 5M TL-X5F1 (OMRON)	1		
14	74322420	Proximity Switch		CABLE 5M TL-X2F1 (OMRON)	3		
15	74322056	Proximity Switch Bracket (2)	6501977 A		1		
16	74374402	Hex Soc Cap Screw		M10X20 (Unbrako)	2		
17	74322422	Proximity Switch		CABLE 5M TL-X5F2 (OMRON)	1		
18	74322205	Wiring Cover	6502927		4		

Index	Parts Number	Parts Name	Drawing No.	Type(Maker)	Q'ty	Note	Rev.No.
19	74300546	Hex Soc Cap Screw		M6X12 (Unbrako)	8		
20	74302328 (44027930)	Washer		M6	8		
21	74312135	Flexible Bushing		KG-016 (Kitagawa)	4		

18

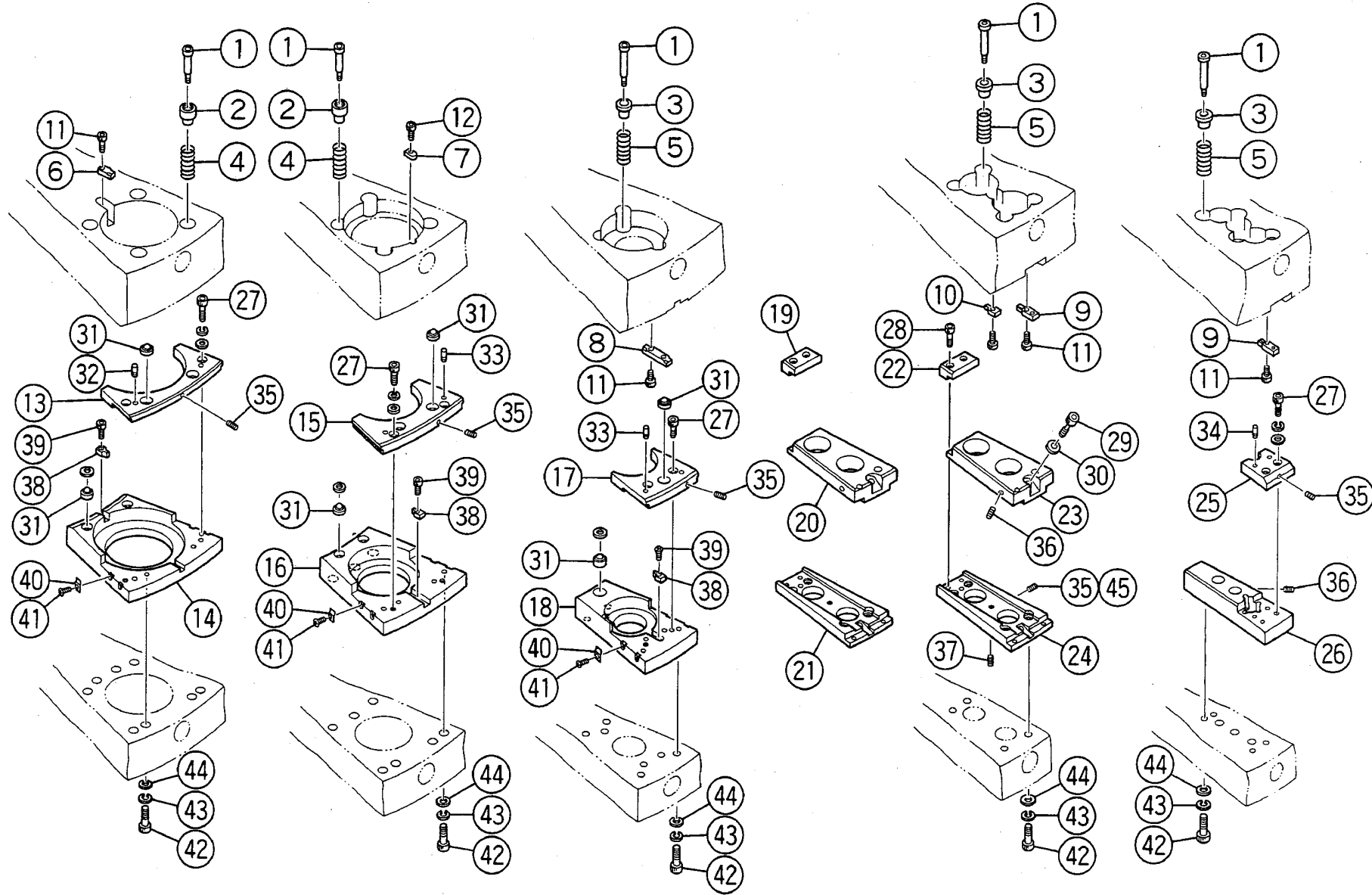
Tool(1)



Index	Parts Number	Parts Name	Drawing No.	Type(Maker)	Q'ty	Note	Rev.No.
1		4 1/2" Tooling Assy		A	2		
2		3 1/2" Tooling Assy		B4	1		
3		2" Tooling Assy		C5	1		
4		1 1/4" Tooling Assy		D4	1		
5		1 1/4" Tooling Assy		D5	5		
6		1/2" Tooling Assy		E	8		

19

Tool(2)



A(4-1/2")

B4(3-1/2")

C5(2")

D4(1-1/4")

D5(1-1/4")

E(1/2")

Ver. 1

Index	Parts Number	Parts Name	Drawing No.	Type(Maker)	Q'ty	Note	Rev.No.
1	74312751 (74165216)	Shoulder Screw	5501017 C		4	A,B4,D4,D5	
	74312751 (74165216)	Shoulder Screw	5501017 C		3	C5,E	
2	74306014	Lifter Ring	5501009 C		4		
3	74312303	Lifter Collar	5500217 B		4	D4,D5	
	74312303	Lifter Collar	5500217 B		3	C5,E	
4	74312317 (74165233)	Lifter Spring A	0827240 A		4		
5	74306214 (74165232)	Lifter Spring B	0827241 A		4	D4,D5	
	74306214 (74165232)	Lifter Spring B	0827241 A		3	C5,E	
6	74312336	Guide Key	5501016 C		1		
7	74312324	Guide Key	5501010 C		1		
8	74312335	Guide Key	5501050 C		1		
9	74306007	Guide Key	5501007 G		1		
10	74312327	Guide Key	0827263 A		1		
11	74301625	Hex Soc Cap Screw		M6X20 LOC-WEL (Unbrako)	1		
	74301625	Hex Soc Cap Screw		M6X20 LOC-WEL (Unbrako)	1	A,B4	
	74301625	Hex Soc Cap Screw		M6X20 LOC-WEL (Unbrako)	3	D4,D5	
	74301625	Hex Soc Cap Screw		M6X20 LOC-WEL (Unbrako)	2	E	
12	74300556	Hex Soc Cap Screw		M6X25 LOC-WEL (Unbrako)	2		

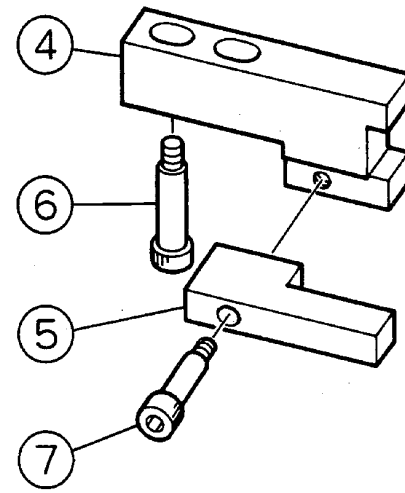
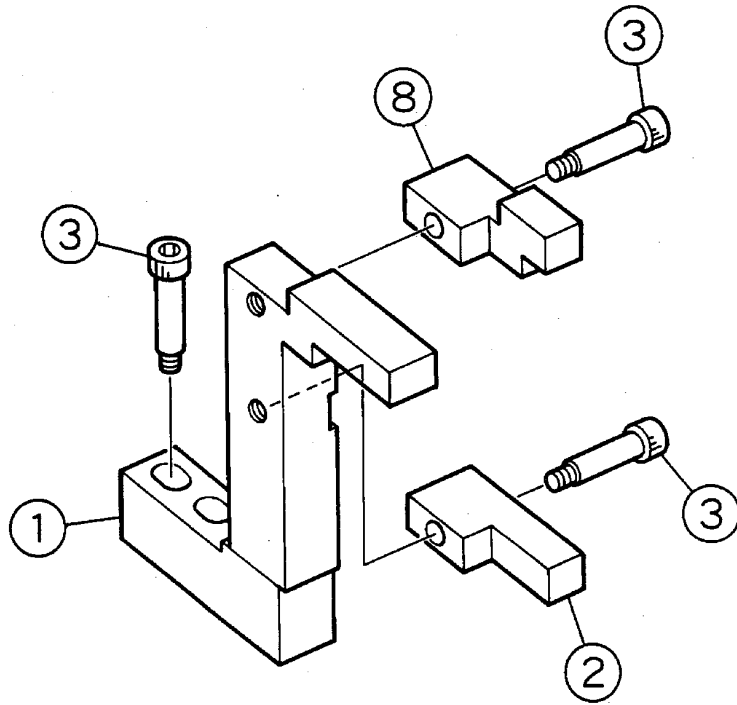
Index	Parts Number	Parts Name	Drawing No.	Type(Maker)	Q'ty	Note	Rev.No.
13	74306203	Die Spacer	0827125 F		1		
14	74306124	Die Holder	0827123 G		1		
15	74312343	Die Spacer	0827163 F		1		
16	74322032	Die Holder	6501970		1		
17	74306202	Die Spacer	0827115 F		1		
18	74322032	Die Holder	6501970		1		
19	74312757	Block	0827096		1		
20	74312705 (74165405)	Upper Die Holder	0827094 A		1		
21	74312707 (74165406)	Lower Die Holder	0827095 A		1		
22	74314303	Block	0827473 A		1		
23	74374801	Upper Die Holder (90 Degrees)	0827471 B		1		
24	74374802	Lower Die Holder	0827472 B		1		
25	74306201	Die Spacer	0827107 B		1		
26	74374803	Die Holder	0827106 D		1		
27	74304940 (75420718)	Hex Soc Cap Screw		M6X15 LOC-WEL (Unbrako)	2		
28	74300553	Hex Soc Cap Screw		M6X30 (Unbrako)	2		
29	74314306	Corner Bolt	0827474 A		1		
30	74314207	Washer	0827484		1		

Index	Parts Number	Parts Name	Drawing No.	Type(Maker)	Q'ty	Note	Rev.No.
31	74312517	Free Bearing		C-3S (Kyouei)	4	A,B4	
	74312517	Free Bearing		C-3S (Kyouei)	2	C5	
32	74377352	Grooved Fastener Pin		D-D10X20	2		
33	74322659	Grooved Fastener Pin		D-D8X20	2		
34	74322660	Grooved Fastener Pin		D-D8X25	2		
35	74322639	Set Screw		M6X14 FLAT END	2		
36	74337501	Ball Plunger		BP-8-H (Jec)	2		
37	74315023	Ball Plunger		BP-6-H (Jec)	1		
38	74312339	Die Key	0488034 C		1		
39	74315207	Countersink Head Machine Screw		M6X16	1		
40	74306026	Sp Spring	0827018		4		
41	74306414	Pan Head Machine Screw		M4X8	4		
42	74314425	Hex Soc Cap Screw		M12X75 LOC-WEL (Unbrako)	8	A	
	74314425	Hex Soc Cap Screw		M12X75 LOC-WEL (Unbrako)	7	B4	
	74354515	Hex Soc Cap Screw		M10X75 LOC-WEL (Unbrako)	7	C5	
	74322619	Hex Soc Cap Screw		M10X70 LOC-WEL (Unbrako)	4	D4,D5	
	74354515	Hex Soc Cap Screw		M10X75 LOC-WEL (Unbrako)	4	E	
43	74301615	Spring Washer		M12	8	A	

Index	Parts Number	Parts Name	Drawing No.	Type(Maker)	Q'ty	Note	Rev.No.
43	74301615	Spring Washer		M12	7	B4	
	74300519	Spring Washer		M10	7	C5	
	74300519	Spring Washer		M10	4	D4,D5,E	
44	74303703	Washer (M12)	0827014 B		8	A	
	74303703	Washer (M12)	0827014 B		7	B4	
	74306022	Washer (M10)	0827013 B		7	C5	
	74306022	Washer (M10)	0827013 B		4	D4,D5,E	
45	10557819	Set Screw		M5X6 FLAT END	1		

20

Tool(3)

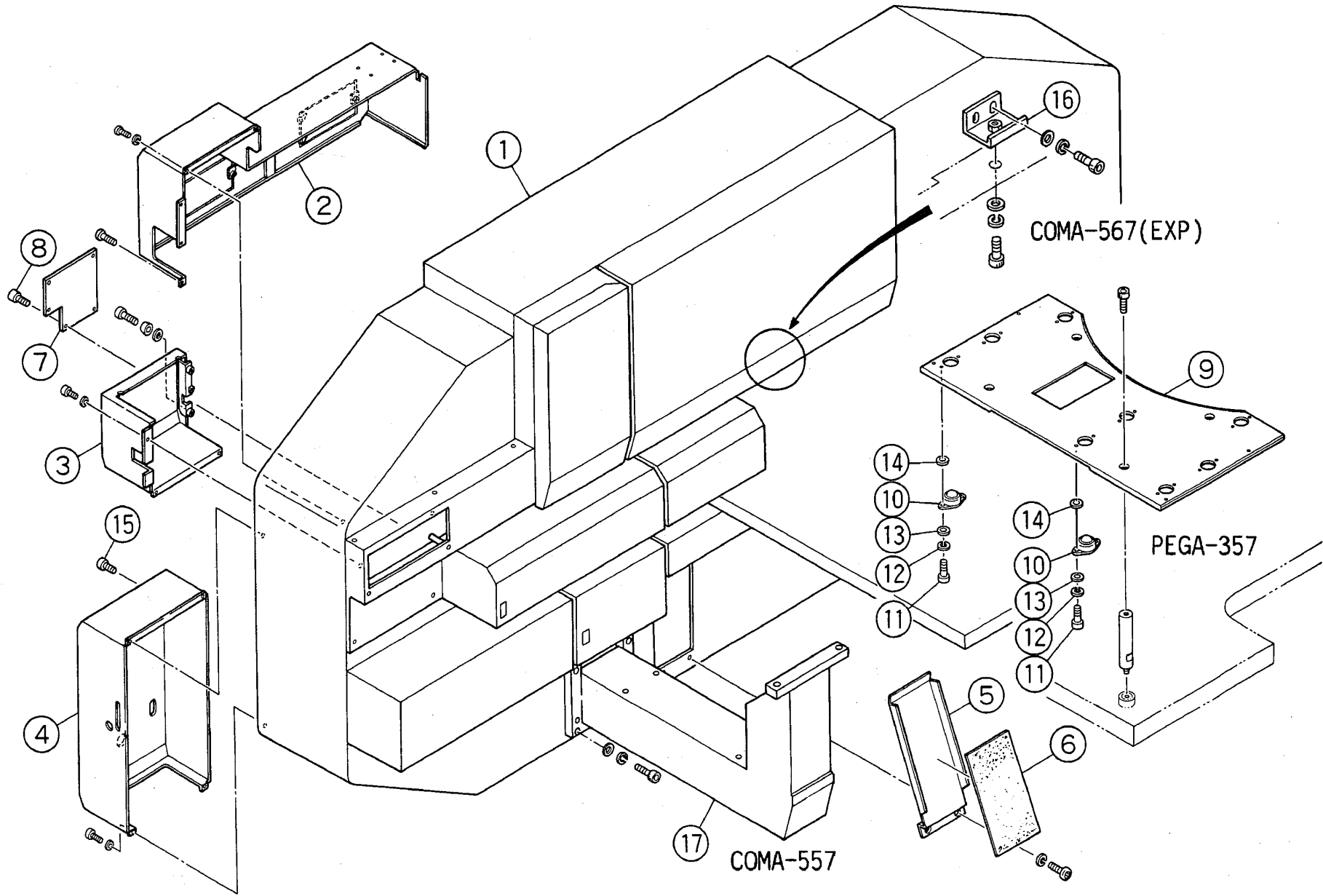


Index	Parts Number	Parts Name	Drawing No.	Type(Maker)	Q'ty	Note	Rev.No.
1	74322129	Jig U (1)	6501875 A		1		
2	74322130	Jig U (2)	6501876		1		
3	74322627	Stripper Bolt		MSB8-25	4		
4	74322131	Jig L (1)	6501877		1		
5	74322132	Jig L (2)	6501878		1		
6	74322627	Stripper Bolt		MSB8-25	2		
7	74319102	Hex Soc Cap Screw		M6X30 (Unbrako)	1		
8	74322133	Jig U (3)	6501879		1		
9	74322167	Point Shaft Centering Jig	6501874 A		1		

21

Cover(1)

Unit No. 21
Cover(1)



Ver. 1

Index	Parts Number	Parts Name	Drawing No.	Type(Maker)	Q'ty	Note	Rev.No.
1	74300929	Frame	6501881#1B		1	PEGA-357	
	74300932	Frame	6502942#1		1	PEGA-367	
	74730705	Frame	6575602#1		1	PEGA-345Q	
	74730712	Frame	6575752#1		1	PEGA-345K	
	74730702	Frame	6502852#1A		1	COMA-567	
	74730710	Frame	6575632#1		1	COMA-557	
2	74300188	Rear Turret Cover (Up)	6501306		1	PEGA-357,COMA-557	
	74510523	Rear Turret Cover (Upper)	6502876		1	PEGA-367,COMA-567	
	74730706	Rear Turret Cover (Upper)	6575608		1	PEGA-345Q	
	74730713	Rear Turret Cover (Upper)	6575755		1	PEGA-345K:JAPAN	
	74730715	Rear Turret Cover (Upper)	6575761		1	PEGA-345K:EXP	
3	74730701	Corner Cover	6501307 B		1	PEGA-357	
	74730704	Corner Cover	6502945 A		1	PEGA-367	
	74730708	Corner Cover	6575609 A		1	PEGA-345Q	
	74730707	Corner Cover	6575609		1	PEGA-345K	
	74510808	Corner Cover	6502877 B		1	COMA-567	
	74730711	Corner Cover	6575633 A		1	COMA-557	
4	74300187	A.I. Cover	6501886 A		1	PEGA-357	

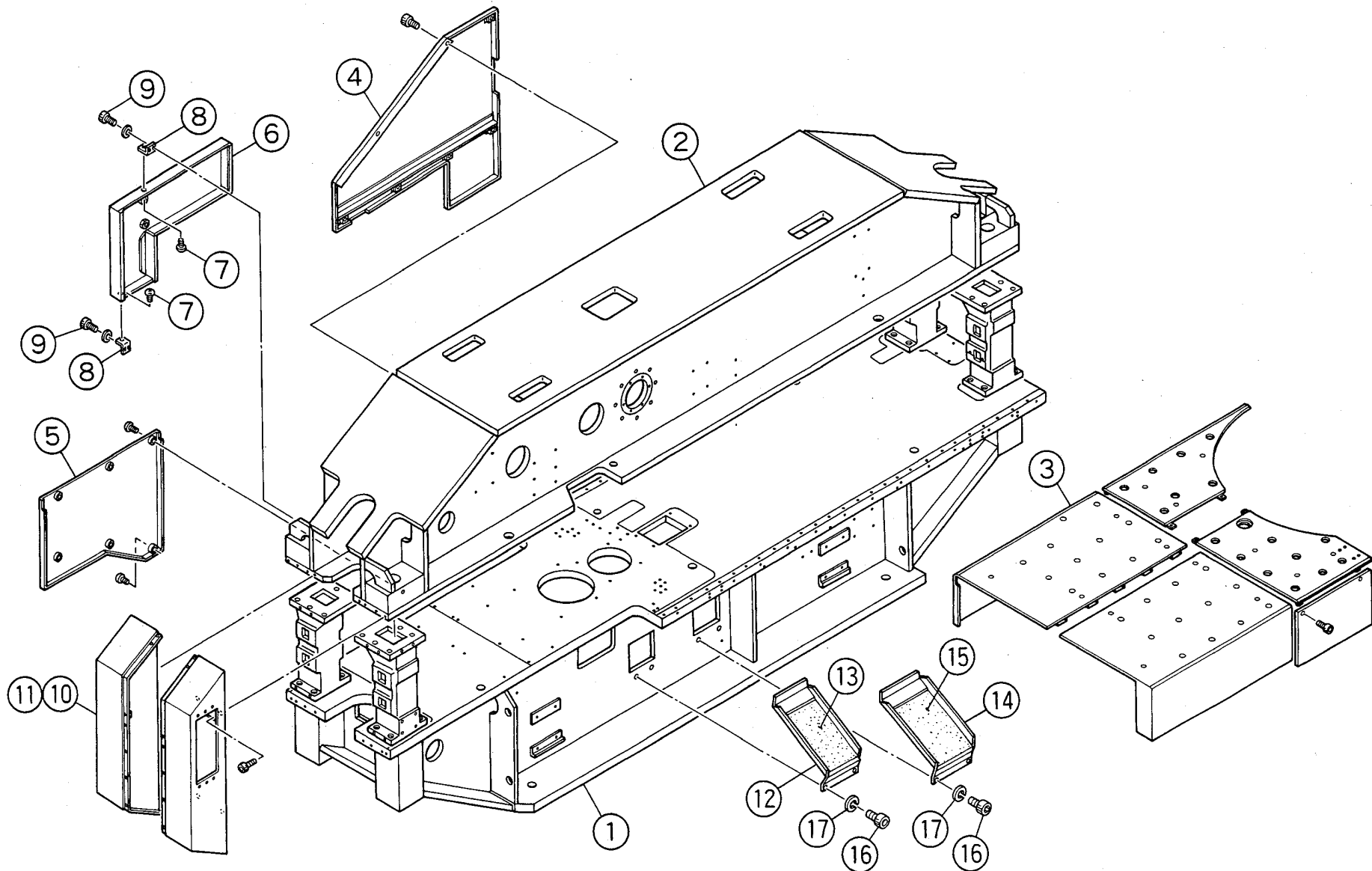
Index	Parts Number	Parts Name	Drawing No.	Type(Maker)	Q'ty	Note	Rev.No.
4	74300271	A.I. Cover	6502946		1	PEGA-367	
	74730709	A.I. Cover	6575610		1	PEGA-345Q	
	74730714	A.I. Cover	6575756		1	PEGA-345K:JAPAN	
	74730716	A.I. Cover	6575762		1	PEGA-345K:EXP	
	74510814	A.I. Cover	6502878		1	COMA-567	
	74730717	A.I. Cover	665756304		1	COMA-557	
5	74510504	Plate (A)	6501309		1		
6	74300727	Rubber Sheet		120X500XT2	1		
7	74300174	Cap	6501849		1	P357,367,345Q,345K	
	74510819	Cap	6502879		1	COMA-567	
	74510818	Cap	6575635		1	COMA-557	
8	74304960	Hex Soc Cap Screw		M6X10 (Unbrako)	5	P357,367,345Q,345K	
	73157630	Hex Soc Cap Screw		M8X15 (Unbrako)	4	COMA-567	
	74304960	Hex Soc Cap Screw		M6X10 (Unbrako)	6	COMA-557	
9	74305737	CL Table	6502893 A		1	ONLY PEGA-357	
10	74304934	Free Motion Bearing	7830072	C-8Y-A (Kyouei)	2	ONLY PEGA-357	
11	74304942	Hex Soc Cap Screw		M8X30 (Unbrako)	4	ONLY PEFA-357	
12	74300518	Spring Washer		M8	4	ONLY PEGA-357	

Index	Parts Number	Parts Name	Drawing No.	Type(Maker)	Q'ty	Note	Rev.No.
13	74300511	Washer		M8	4	ONLY PEGA-357	
14	74303828	Spacer	0813394		4	ONLY PEGA-357	
15	74304817	Button Head Socket Screw		M8X15	2	ONLY PEGA-345K EXP	
16	74730703	Cover Bracket	6502928		2	ONLY COMA-567 EXP	
17	74515514	Sub Guide Arm	6500381		1	COMA-557	

22

Cover(2)

Unit No. 22
Cover(2)



Ver. 1

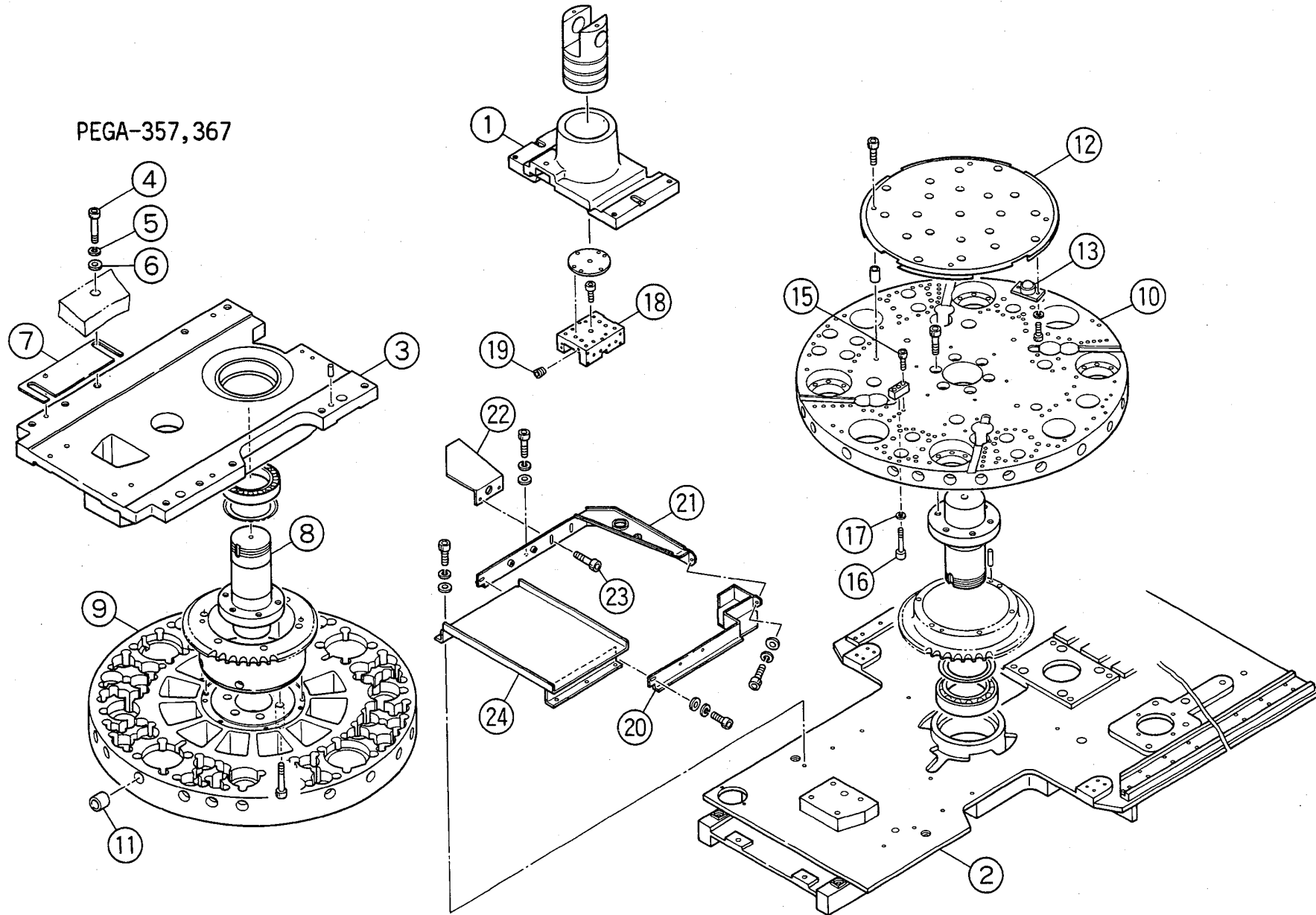
Index	Parts Number	Parts Name	Drawing No.	Type(Maker)	Q'ty	Note	Rev.No.
1	74730721	Lower Frame	6502957		1		
2	74730722	Upper Frame	6502958		1		
3	74730723	CL Table (5)	6502961		1		
4	74730728	Rear Upper Cover (1)	6520805		1		
5	74730727	Rear Lowercover (1)	6520803		1		
6	74730726	A.I Cover	6520802		1		
7	74304817	Button Head Machine Screw		M8X15	3		
8	74730725	Bracket (H)	6520799		3		
9	44235241	Hex Soc Cap Screw		M8X20	6		
10	74730724	Side Cover Lr	6502962		1		
11	74730718	Packing		L=250	1		
12	74730729	Plate (1)	6520806		1		
13	74730719	Rubber Sheet		T2X150X800	1		
14	74730730	Plate (2)	6520807		1		
15	74730720	Rubber Sheet		T2X240X800	1		
16	74300604	Hex Soc Cap Screw		M6X15	4		
17	44027930	Washer		M6	4		

23

Turret Base(1)

Unit No. 23
Turret Base(1)

PEGA-357, 367



Ver. 1

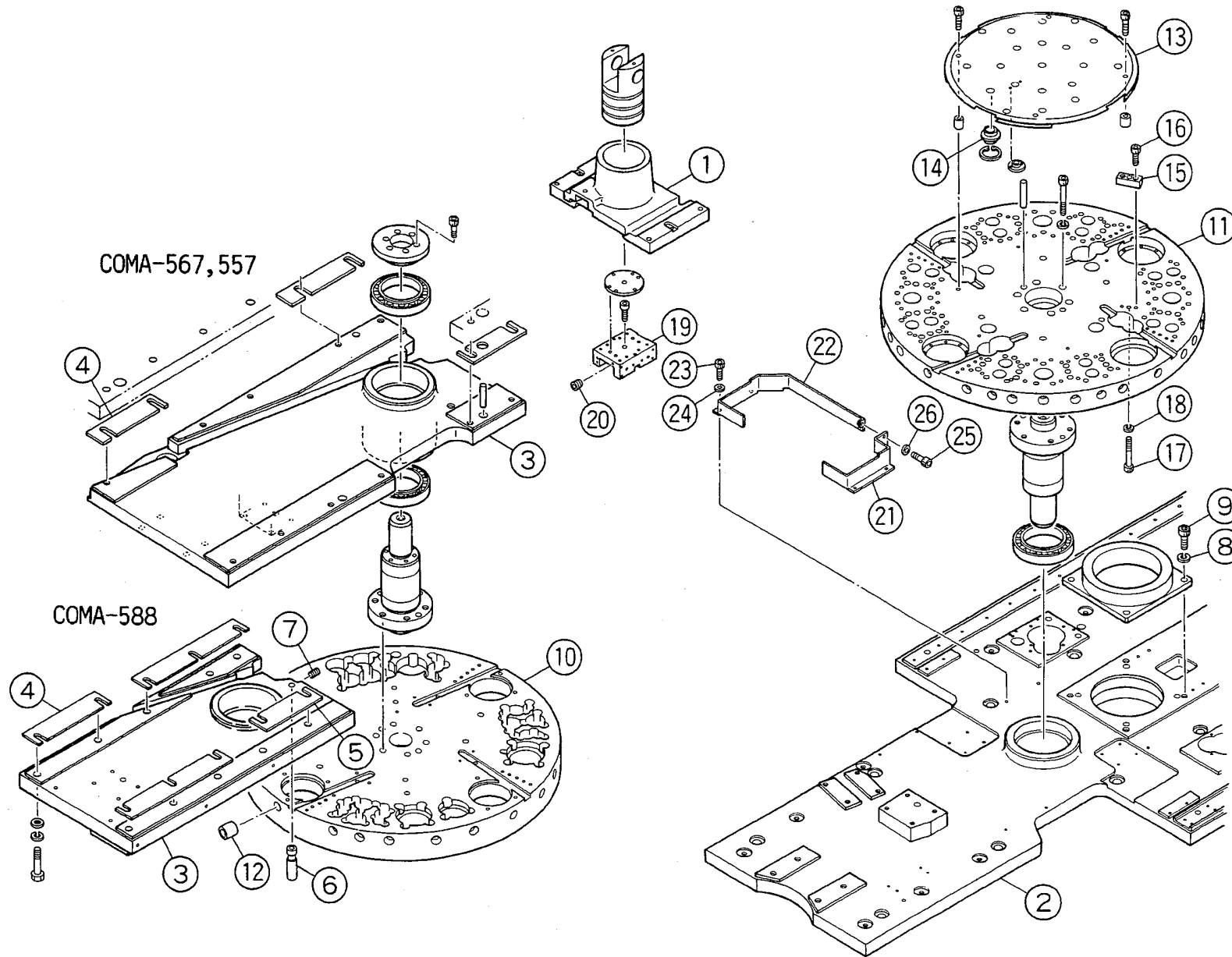
Index	Parts Number	Parts Name	Drawing No.	Type(Maker)	Q'ty	Note	Rev.No.
1	74301532	Ram Guide	6502853		1		
2	74730801	Lower Base Assy	6501883 C		1	PEGA-357	
	74302356	Lower Base Assy	6502944		1	PEGA-367	
	74730808	Lower Base Assy	6575604		1	PEGA-345Q,345K	
3	74730802	Upper Base	6501884 D		1	PEGA-357,367	
	74730809	Upper Base	6575605 A		1	PEGA-345Q,345K	
4	74302851	Hex Soc Cap Screw		M20X100 LOCWELL (Unbrako)	2		
5	74302903	Spring Washer		M20	2	PEGA-357,367	
6	74302326	Washer	0821009 B		2		
7	74302317	Shim	6501409 A		2	PEGA-357,367	
	74730810	Shim	6575606		1	PEGA-345Q,345K	
8	74302224	Bearing Shaft	6501779		1		
9	74302341	45st Upper Turret Disk	6501971 A		1		
10	74730806	45st Lower Turret Disk	6501972 B		1		
11	74302104	Bushing	0480336 K		46		
12	74730807	Support Plate	6501974 B		1		
13	74312517	Stroke Bearing		C-3S (Kyouei)	21		
14	74302633	Base	6501975		4		

Index	Parts Number	Parts Name	Drawing No.	Type(Maker)	Q'ty	Note	Rev.No.
15	74304942	Hex Soc Cap Screw		M8X30 (Unbrako)	8		
16	74374407	Hex Soc Cap Screw		M8X90 (Unbrako)	4		
17	74314204	Washer (M8)	0827367		4		
18	74302627	Punch Holder Guide	6501391		1		
19	74301701	Plug		PT1/8 FOR HYDRAULIC	1		
20	74730803	Chain Cover (1)	6501887 A		1		
21	74730804	Chain Cover (2)	6501888 A		1		
22	74730805	Chain Cover (3)	6501889		1		
23	74304960	Hex Soc Cap Screw		M6X10 (Unbrako)	2		
24	74302524	Scrap Reciever	6501854		1		

24

Turret Base(2)

Unit No. 24
Turret Base (2)

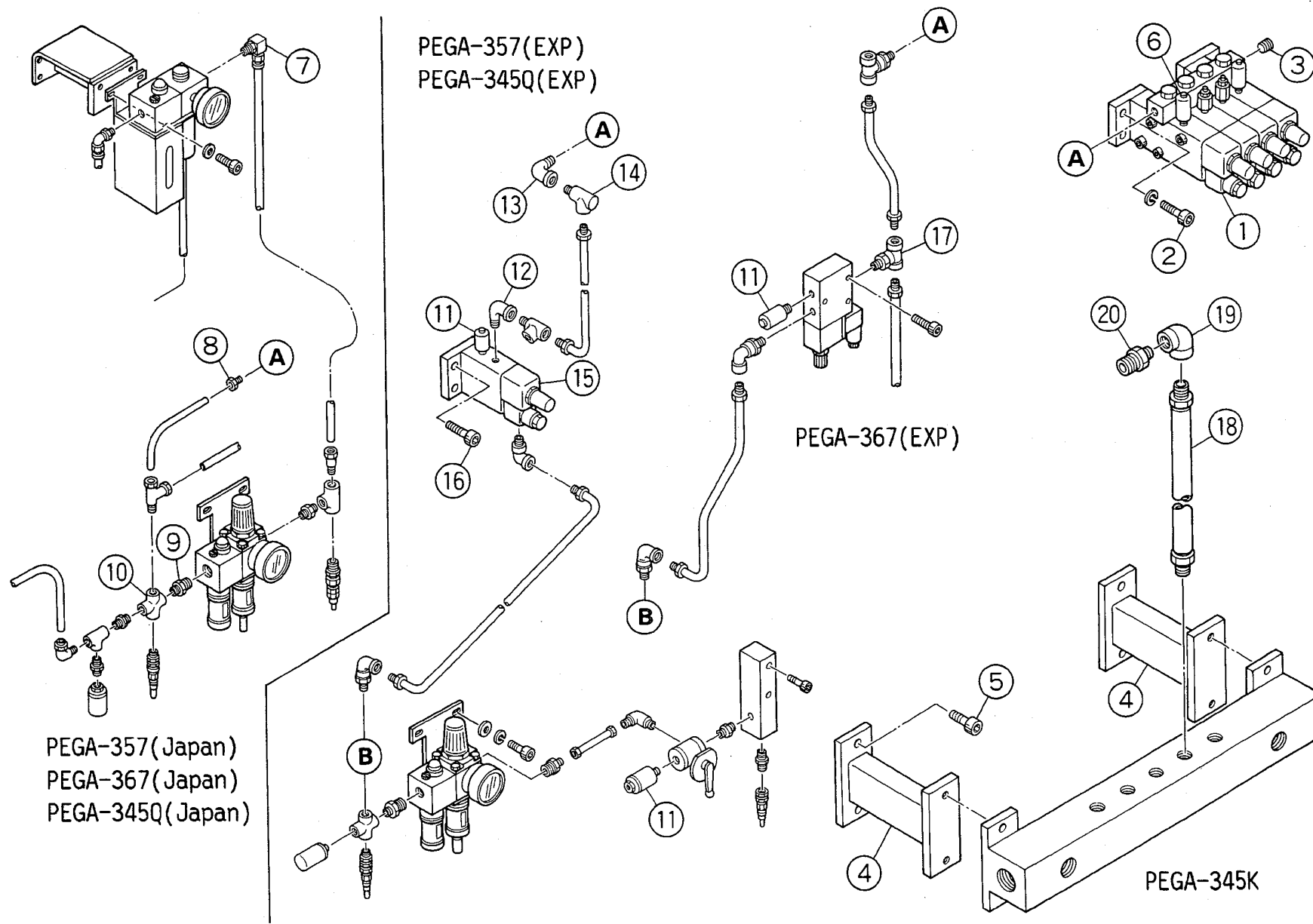


Index	Parts Number	Parts Name	Drawing No.	Type(Maker)	Q'ty	Note	Rev.No.
1	74511913	Ram Guide	6502853		1		
2	74513342	Lower Base	6502857		1	COMA-567	
	74513431	Lower Base	6500373		1	COMA-557	
	74730815	Lower Base	6520760		1	COMA-588	
3	74513342	Upper Base	6502857		1	COMA-567	
	74513343	Upper Base	6500375		1	COMA-557	
	74730814	Upper Base	6520759		1	COMA-588	
4	74513520	Shim (E)	6500366		1	COMA567,557	
	74730816	Shim (B)	6520761		1	COMA-588	
5	74730817	Shim (C)	6520762		1	COMA-588	
6	74730819	Lock Pin	6520764		1	COMA-588	
7	74314811	Set Screw		M8X10 FLAT END	1	COMA-588	
8	74513345	Disk Support	6502858		1	COMA-567,557	
	74730818	Disk Support	6520763		1	COMA-588	
9	74314409	Hex Soc Cap Screw		M6X50	4	COMA-588	
10	74730812	45st Upper Turret Disk	6502861		1		
11	74730813	45st Lower Turret Disk	6502862 A		1		
12	74302104	Bushing	0480336 K		46		

Index	Parts Number	Parts Name	Drawing No.	Type(Maker)	Q'ty	Note	Rev.No.
13	74730811	Support Plate	6501974 B		1		
14	74312517	Stroke Bearing		C-3S (Kyouei)	21		
15	74302633	Base	6501975		4		
16	74304942	Hex Soc Cap Screw		M8X30 (Unbrako)	8		
17	74374407	Hex Soc Cap Screw		M8X90 (Unbrako)	4		
18	74314204	Washer (M8)	0827367		4		
19	74302627	Punch Holder Guide	6501391		1		
20	74301701	Plug		PT1/8	1		
21	74512601	Scrap Guard(1)	6502881		1	COMA-567	
	74730820	Scrap Guard(1)	6520808		1	COMA-588	
22	74512602	Scrap Guard(2)	6502882		1	COMA-567	
	74730821	Scrap Guard(2)	6520809		1	COMA-588	
23	74304817	Hex Soc Cap Screw		M8X15	4		
24	44235242	Washer		M8	4		
25	74302813	Hex Soc Cap Screw		M6X12	1		
26	44027930	Washer		M6	1		

Air Piping(1)

Unit No. 25
Air Piping (1)



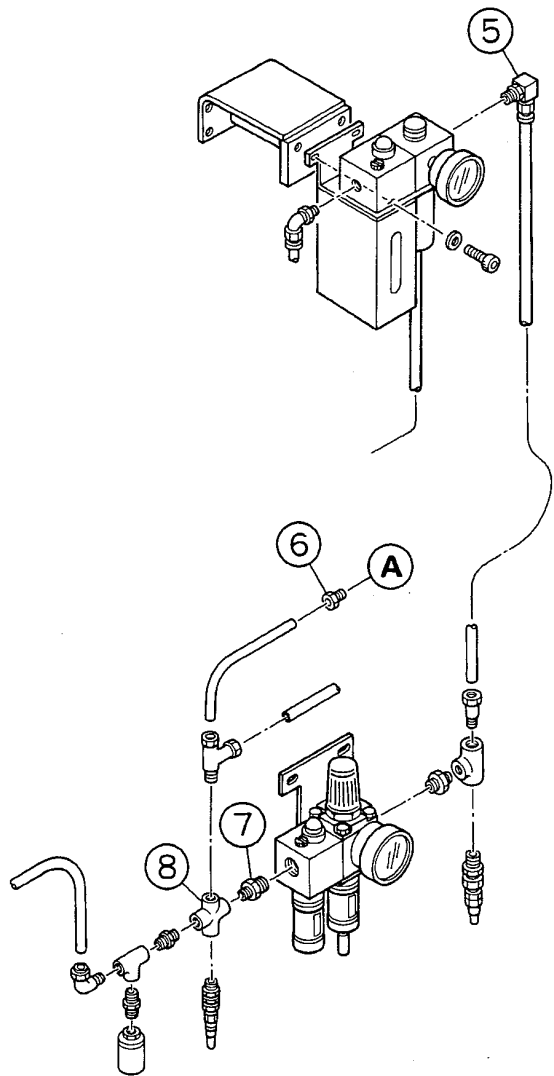
Ver. 1

Index	Parts Number	Parts Name	Drawing No.	Type(Maker)	Q'ty	Note	Rev.No.
1	71107946	Solenoid		E108-025ER (Taiyo)	1	2 throw:P357,367,345Q	
	74310206	Solenoid		E108-035ER (Taiyo)	1	3 throw:P357,367,345Q	
	74730903	Solenoid		E108-035ER-10-S4 (Taiyo)	1	3 throw:P345K	
	74708355	Solenoid		E108-045ER (Taiyo)	1	4 throw:P357,367,345Q	
	74730904	Solenoid		E108-045ER-10-S4 (Taiyo)	1	4 throw:P345K	
2	74304817	Hex Soc Cap Screw		M8X15	2		
3	10328968	Plug		PT3/8	1		
4	74730906	Air Block Bracket	6575758		2	PEGA-345K	
5	74302829	Hex Soc Cap Screw		M10X30	4	PEGA-345K	
6	58190520	Silencer		SA-8	2	PEGA-345K	
7	74523319	Elbow		EL10-PT3/8 (Nitta)	1	P357,367,345Q	
8	74523323	Connector		EC10-PT3/8 (Nitta)	1	P357,367,345Q	
9	74730901	Nipple		1/4	1		
10	10358214	Cross			1	P357,367,345Q	
11	58190520	Silencer		SA-8	2	P357,367,345Q	
12	10322165	Male Female Elbow		1/4	1	PEGA-357,345Q	
13	36182656	Male Female Elbow		3/8	1	PEGA-357,345Q	
14	74730905	Tee		EST10-PT3/8 (Nitta)	1	PEGA-357,345Q	

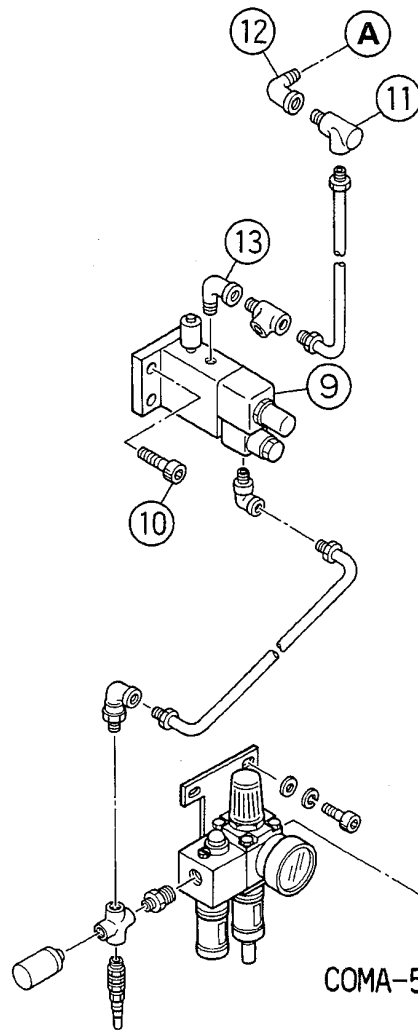
Index	Parts Number	Parts Name	Drawing No.	Type(Maker)	Q'ty	Note	Rev.No.
15	74310139	Solenoid Valve		3EC-8E-10-S4	1	PEGA-357	
16	74304817	Hex Soc Cap Screw		M8X15	2	PEGA-357,345Q	
17	74542509	Tee		ET10-PT1/4 (Nitta)	1	PEGA-367	
18	74730902	Paon Air Hose		25X1100	1	PEGA-345K	
19	45210443	Elbow			1	PEGA-345K	
20	45210445	Nipple		1-1/4	1	PEGA-345K	

Air Piping(2)

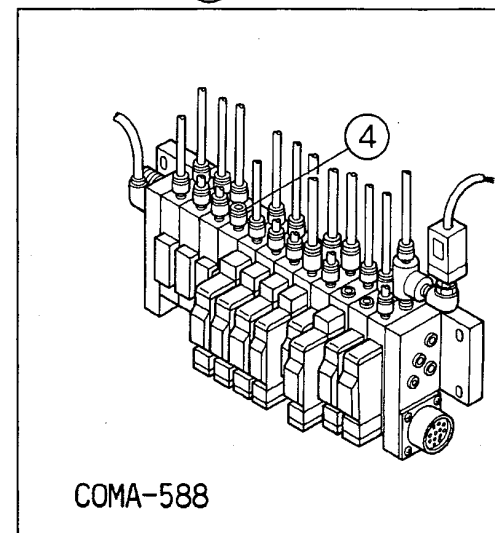
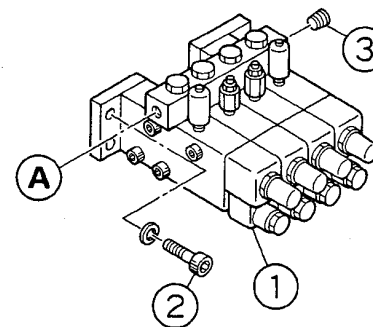
Unit No. 26
Air Piping (1)



COMA-567
COMA-557 (Japan)



COMA-557 (EXP)



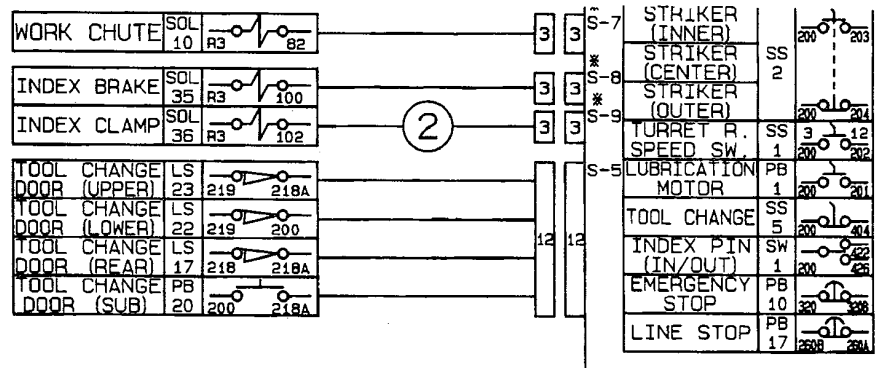
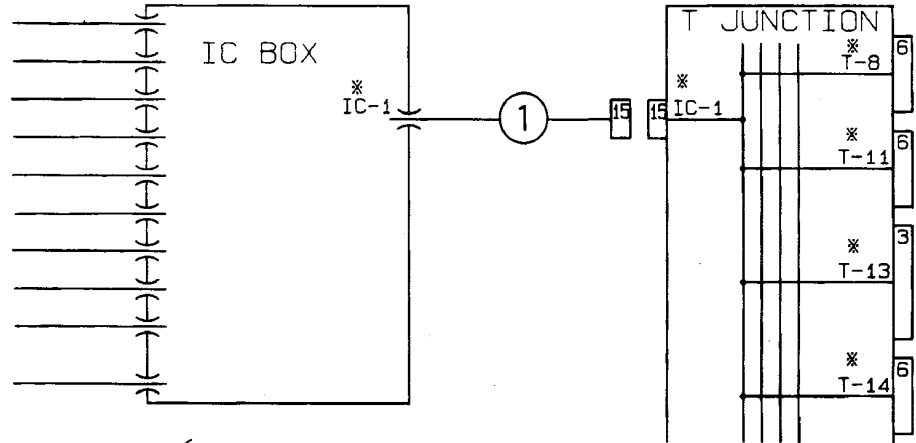
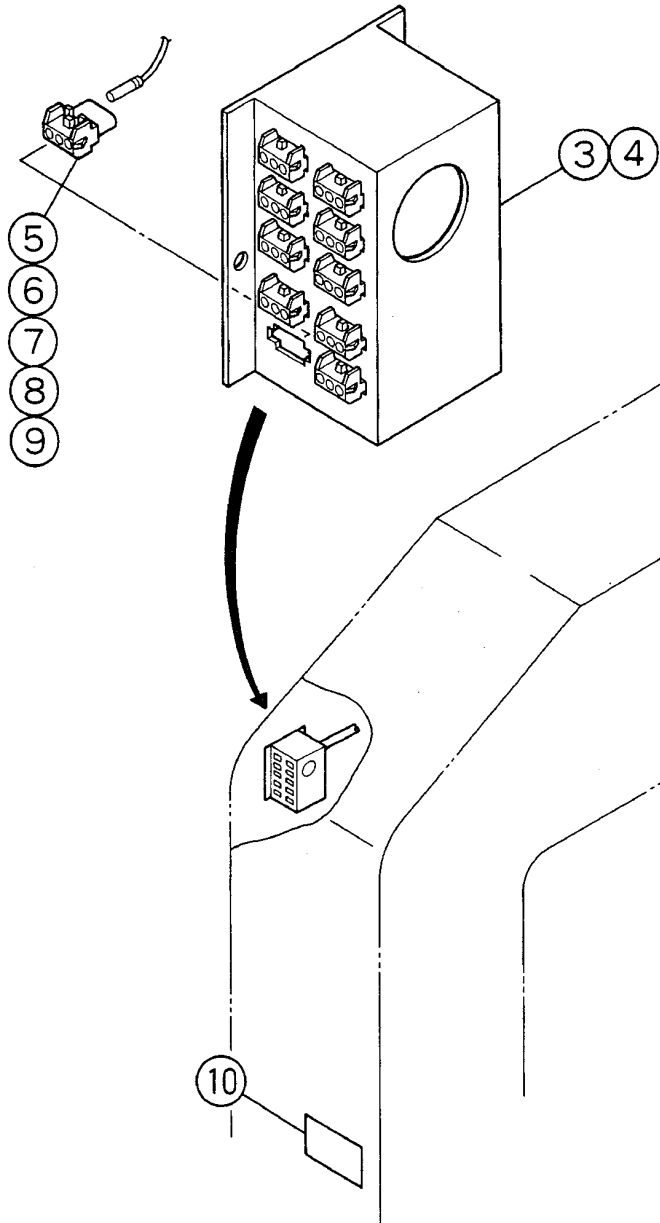
COMA-588

Index	Parts Number	Parts Name	Drawing No.	Type(Maker)	Q'ty	Note	Rev.No.
1	74310206	Solenoid		E108-035ER (Taiyo)	1	3 throw:Except C588	
	74708355	Solenoid		E108-045ER (Taiyo)	1	4 throw:Except C588	
2	74304817	Hex Soc Cap Screw		M8X15	4	WITHOUT COMA-588	
3	10328968	Plug		PT3/8	1	WITHOUT COMA-588	
4	74730908	Plug		BC-6 (Nitta)	2	ONLY COMA-588	
5	74523319	Elbow		EL10-PT3/8 (Nitta)	1	COMA-567,557(J)	
6	74523323	Connector		EC10-PT3/8 (Nitta)	1	COMA-567,557(J)	
7	74730907	Nipple		1/4	1	COMA-567,557(J)	
8	10358214	Cross			1		
9	74310139	Solenoid Valve		3EC-8E-10-S4 (Taiyo)	1	COMA-557(EXP)	
10	74304817	Hex Soc Cap Screw		M8X15	2	COMA-557(EXP)	
11	74730909	Tee		EST10-PT3/8 (Nitta)	1	COMA-557(EXP)	
12	36182656	Male Female Elbow			1	COMA-557(EXP)	
13	10322165	Male Female Elbow			1	COMA-557(EXP)	

27

Electric

Unit No. 27
Electric



Index	Parts Number	Parts Name	Drawing No.	Type(Maker)	Q'ty	Note	Rev.No.
1	74731001	Cable IC-1	0818523 A		1	JAPAN	
	74731002	Cable IC-1	0818524 A		1	EXP	
2	74369617	Cable S-9 (EX)	6018206		1	JAPAN	
	74314329	Cable S-9 (EX)	6018304		1	EXP	
3	74731003	IC Junction Box	0818534 A		1		
4	74302812	Hex Soc Cap Screw		M6X10	3		
5	74306823	Electro Tap		171425°1 (AMP)	10		
6	74306721	Connector		1-480701-0 (AMP)	6		
7	74306720	Connector		1-480700-0 (AMP)	6		
8	74341108 (74521831)	Pin		350547-1 (AMP)	22		
9	74306812	Socket		350550-1 (AMP)	22		
10	74300977	Sticker (C Axis Motor)	6502763		1	ONLY EXP	

