

MAR. 1988

PLASMA SYSTEM
COMA-PLASMA
(506072)

PARTS LIST

This parts list describes the parts related to the plasma system. please use this book together with COMA-506072 parts list.

ORDERING INSTRUCTIONS

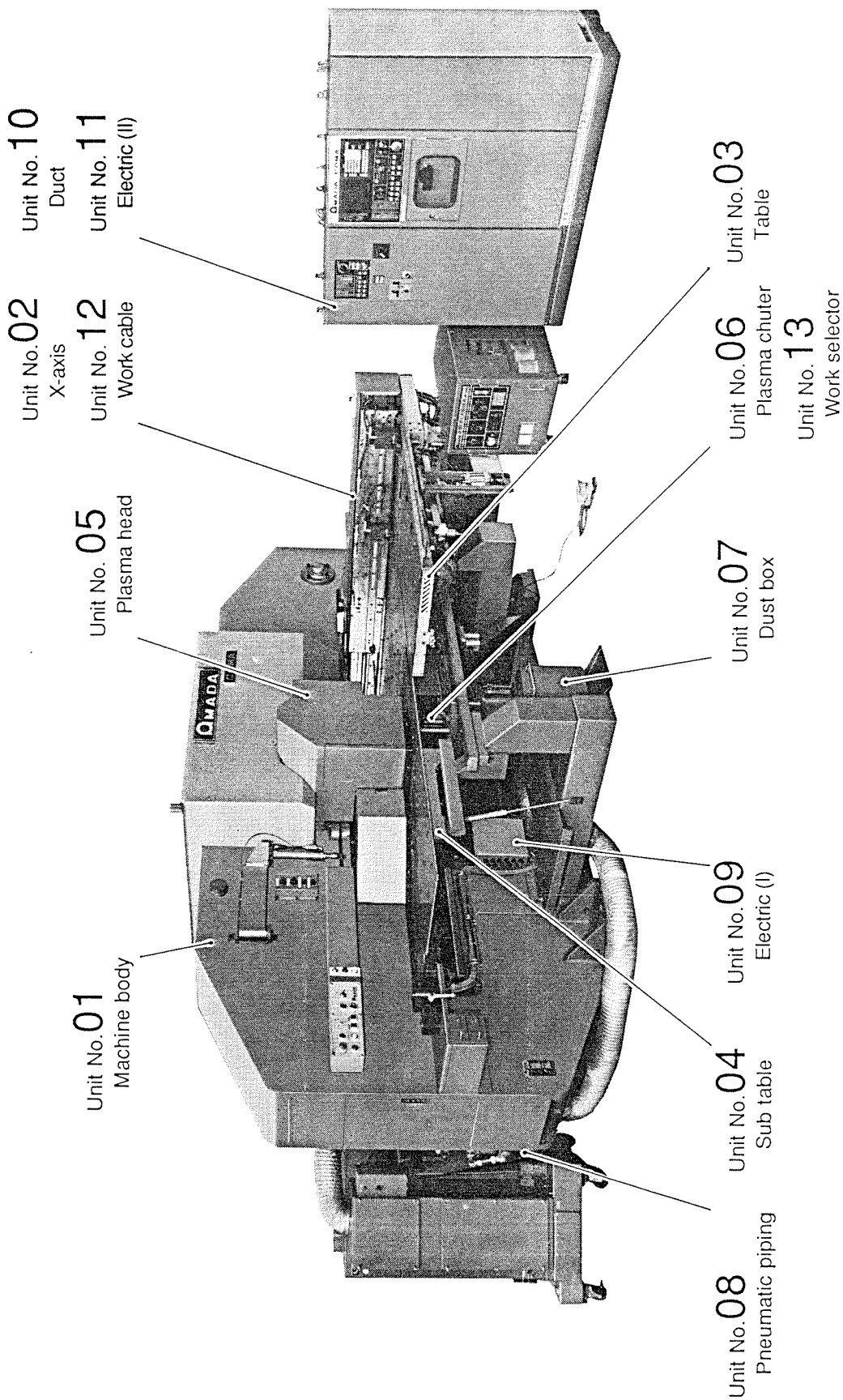
When ordering parts,specify Machine Model, Serial No., Unit No., Index No., Parts No., Parts Name, Drawing No., or Type and Quantity.

Machine Model: COMA -PLASMA (506072)

Serial No.: C67463

Unit No.	Index No.	Parts No.	Parts Name	Drawing No.or Type	Q'ty
03	30	74550906	Stud	823225b	12
11	15	74554024	Control relay	HH54PW 24V	6

CONTENTS



Unit No. **01**
Machine body

Unit No. **02**
X-axis

Unit No. **12**
Work cable

Unit No. **05**
Plasma head

Unit No. **10**
Duct

Unit No. **11**
Electric (II)

Unit No. **08**
Pneumatic piping

Unit No. **09**
Electric (I)

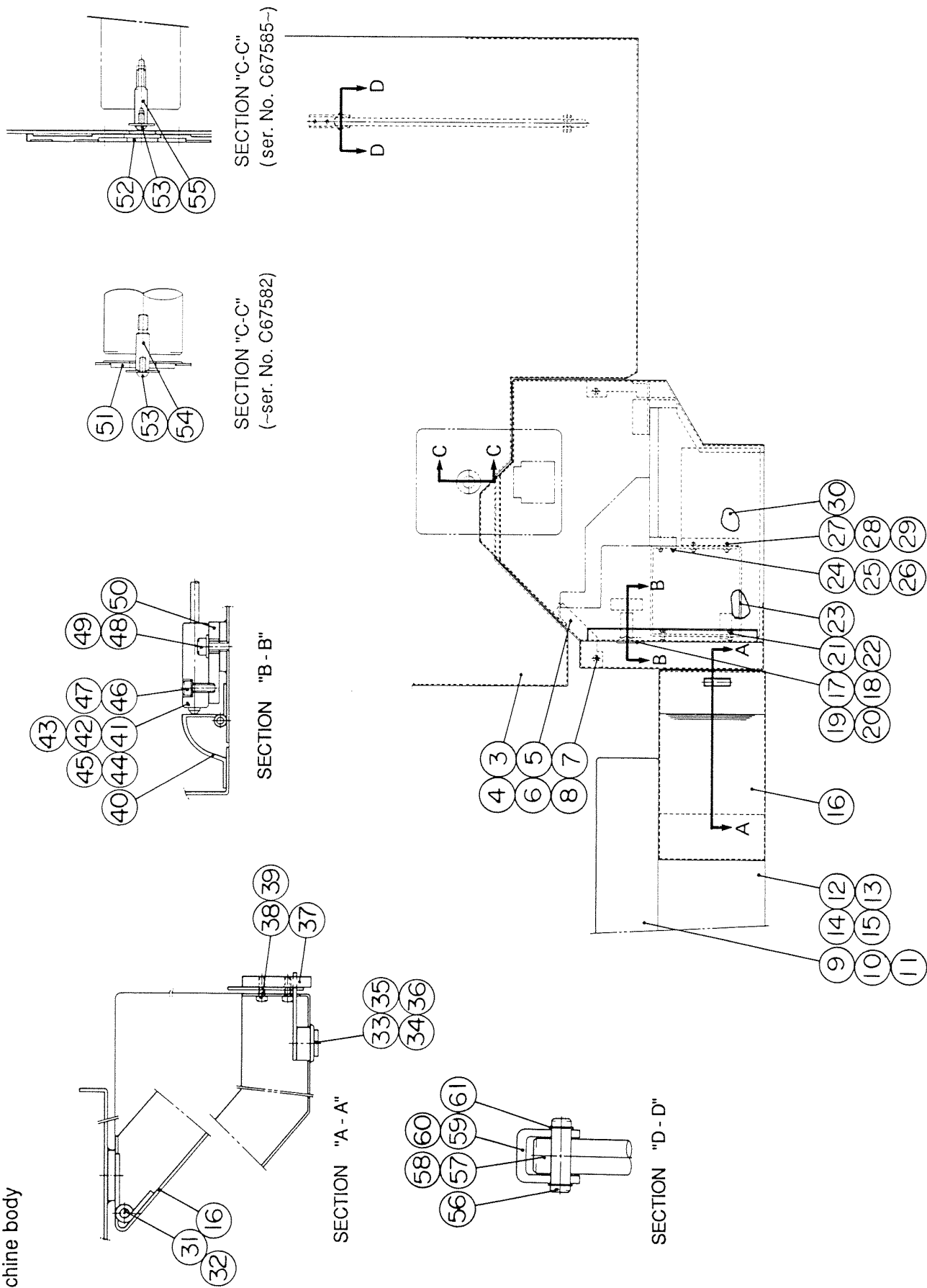
Unit No. **07**
Dust box

Unit No. **06**
Plasma chuter

Unit No. **03**
Table

Unit No. **13**
Work selector

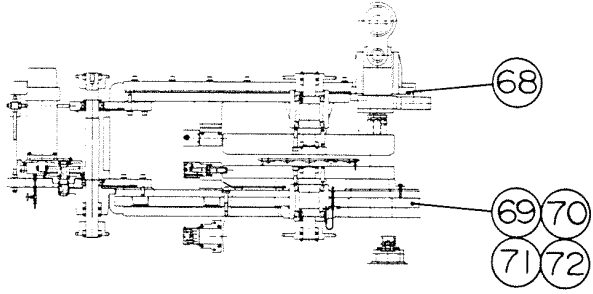
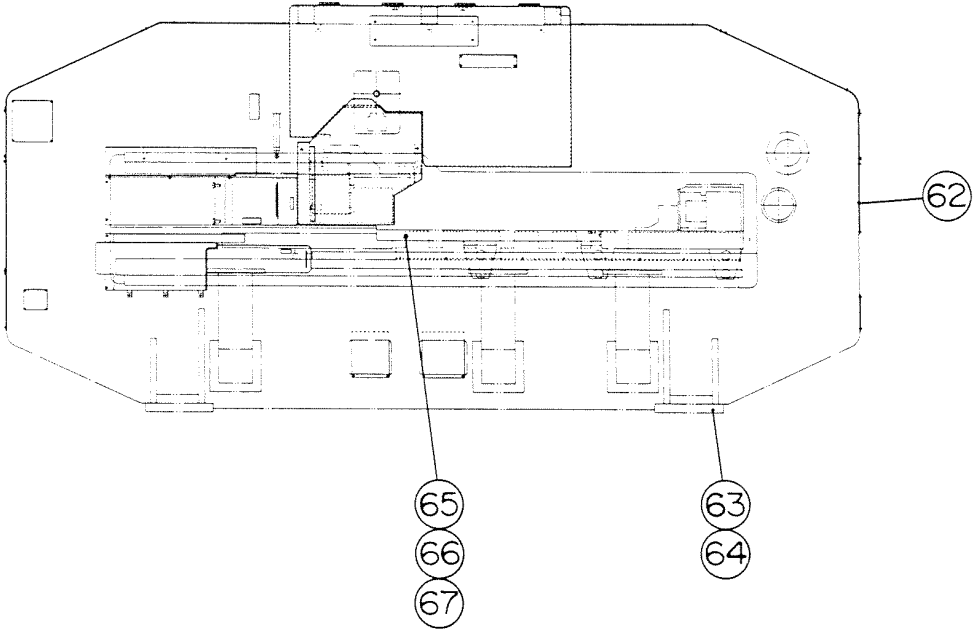
Unit No.01
Machine body



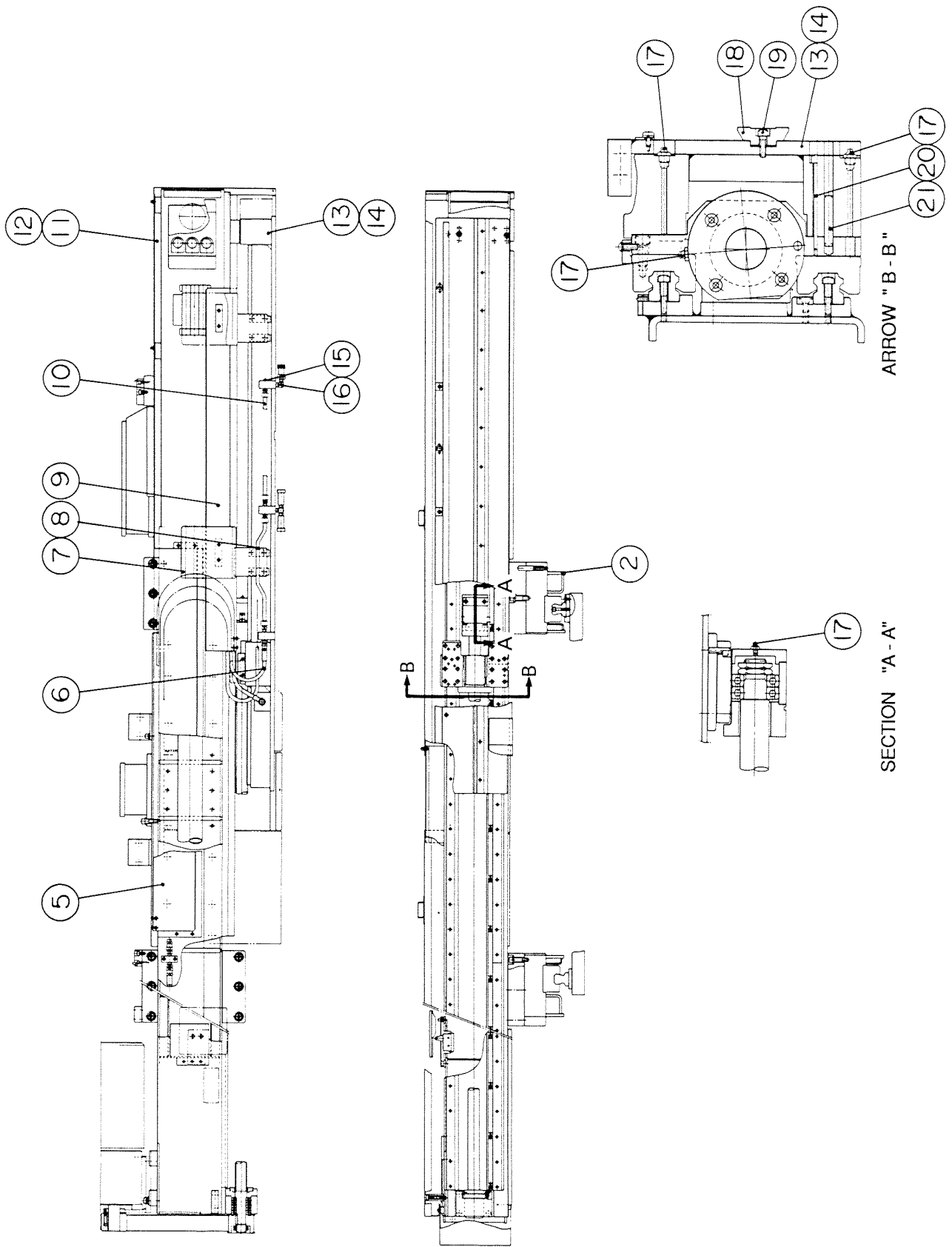
Unit No. **01**
Machine body

Index No.	Parts No.	Parts Name	Drawing No. or Type	Q'ty	Note
1	74550106	Frame cover ass'y	5594200b	1	~ser. No. C67582
2	74550107	Frame cover ass'y	6014270	1	ser. No. C67585~
3	74550110	Front cover	5594201a	1	~ser. No. C67582
4	74550111	Front cover	5594353	1	ser. No. C67585~
5	74550204	Head cover	5594202c	1	~ser. No. C67582
6	74550205	Head cover	5594354a	1	ser. No. C67585~
7	44235241	Cap screw	M8 x 20	2	
8	44235242	Washer	M8	2	
9	74550301	Front upper cover	6013325	1	
10	44027732	Pan head machine screw	M6 x 12	2	
11	74300527	Toothed lock washer	M6	2	
12	74550302	Corner cover	6013326	1	
13	44027732	Pan head machine screw	M6 x 12	2	
14	74300527	Toothed lock washer	M6	5	
15	74309931	Nut	M6	3	
16	74550226	Front turret cover	6013319a	1	
17	74550210	Lever	A-250-4	1	
18	74306414	Pan head machine screw	M4 x 8	2	
19	74300510	Washer	M4	2	
20	74307801	Toothed lock washer	M4	2	
21	36327604	Bolt	M10 x 35	2	
22	74314521	Nut	M10	2	
23	74550310	Rib	5594260a	1	
24	74300604	Cap screw	M6 x 15	4	
25	44027930	Washer	M6	4	
26	44027928	Spring washer	M6	4	
27	74300604	Cap screw	M6 x 15	2	
28	44027930	Washer	M6	2	
29	74309931	Nut	M6	2	
30	74550311	Separate plate	5594261	1	
31	74550227	Hinge	Type-1	2	
32	75168220	Cap screw	M5 x 15	4	
33	74550210	Lever	A-250-4	1	
34	74306414	Pan head machine screw	M4 x 8	2	
35	74300510	Washer	M4	2	
36	74307801	Toothed lock washer	M4	2	
37	74550231	Hook	5594203	1	
38	74302812	Cap screw	M6 x 10	2	
39	44027930	Washer	M6	2	
40	74550209	Hinge	B-8-4	2	

Unit No.01
Machine body



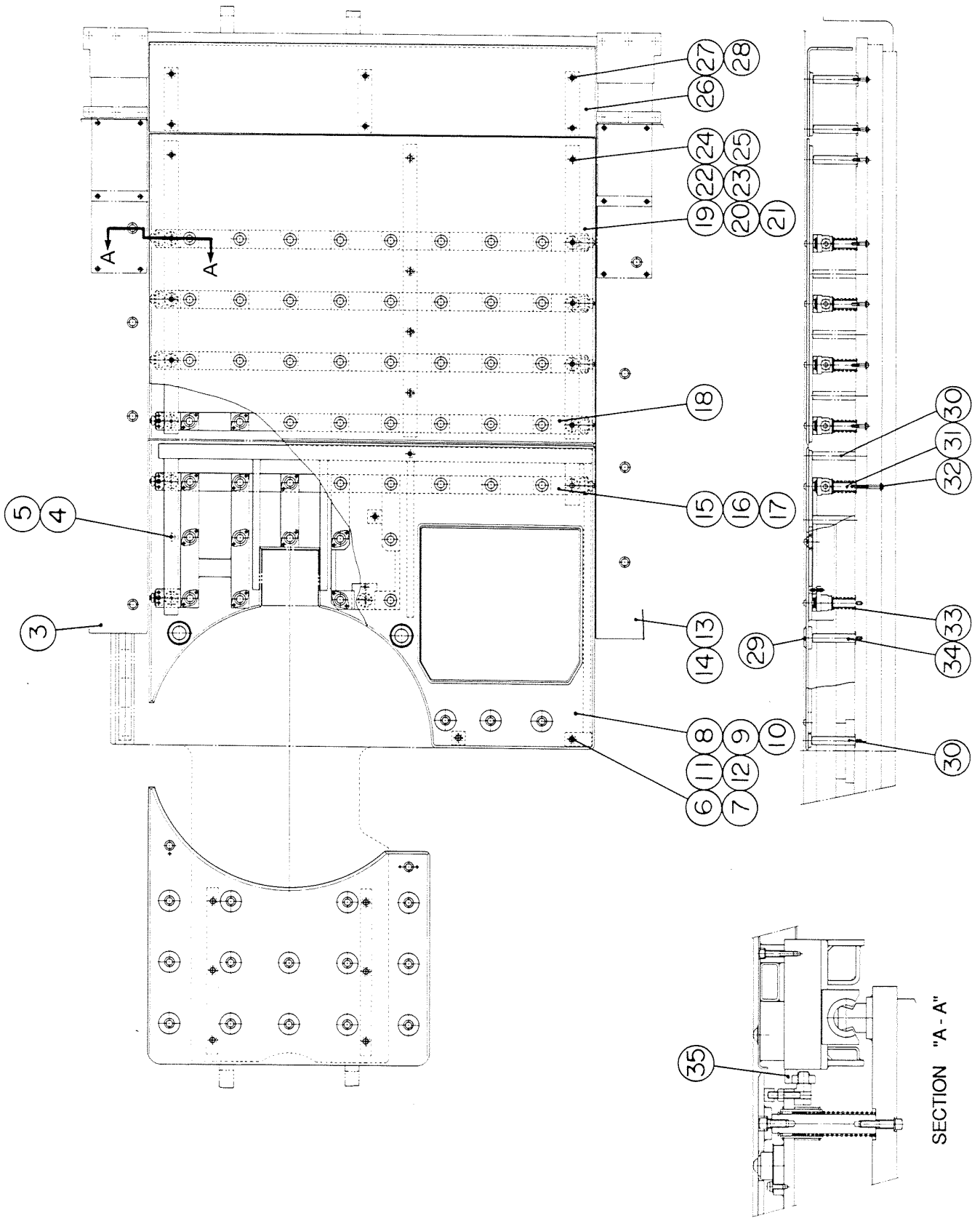
Unit No.02
X-axis.



SECTION "A - A"

ARROW "B - B"

Unit No.03
Table

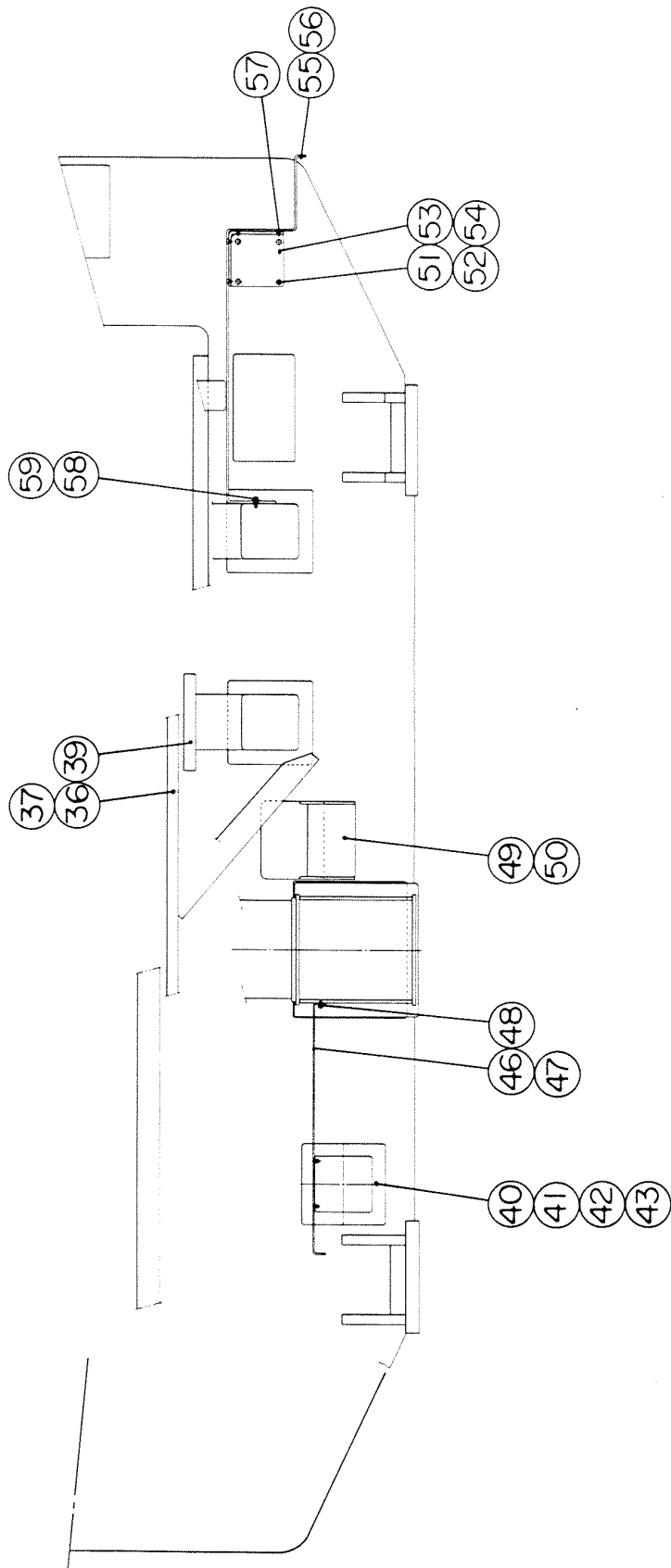


Unit No. 03

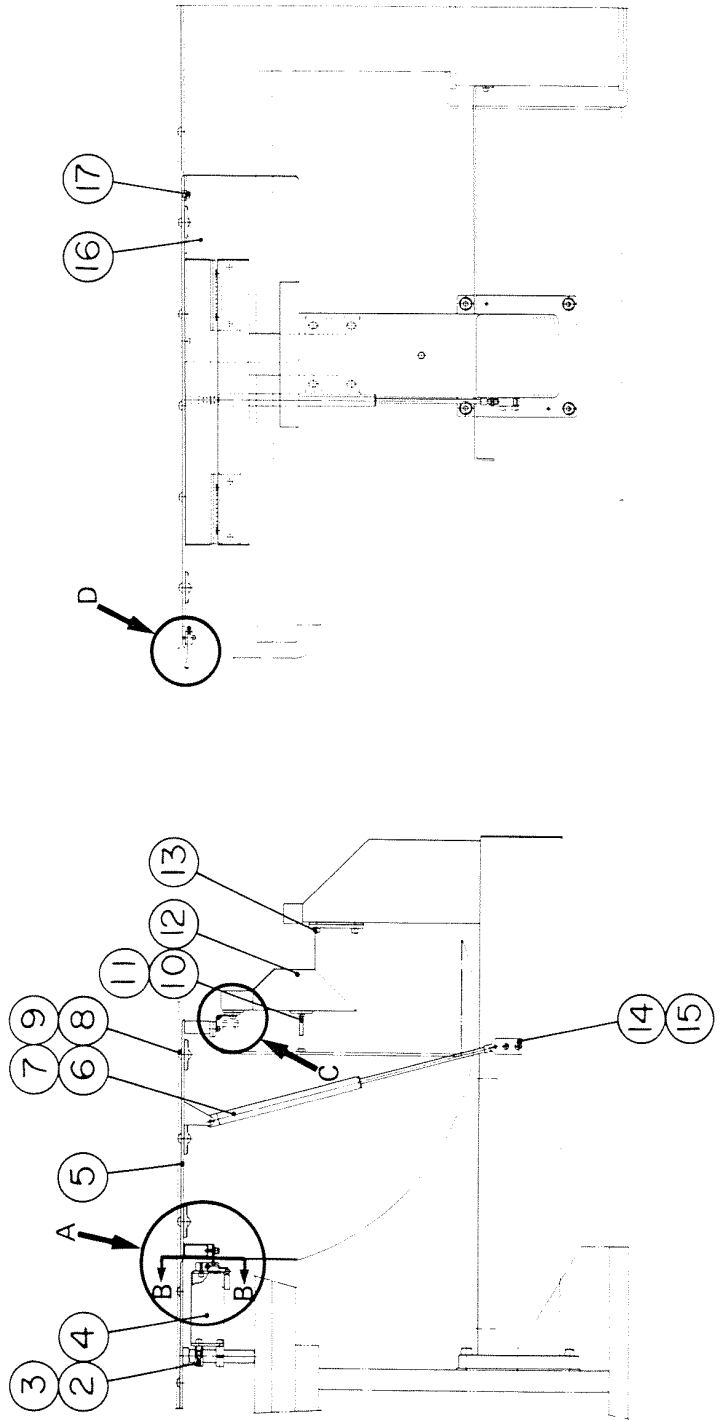
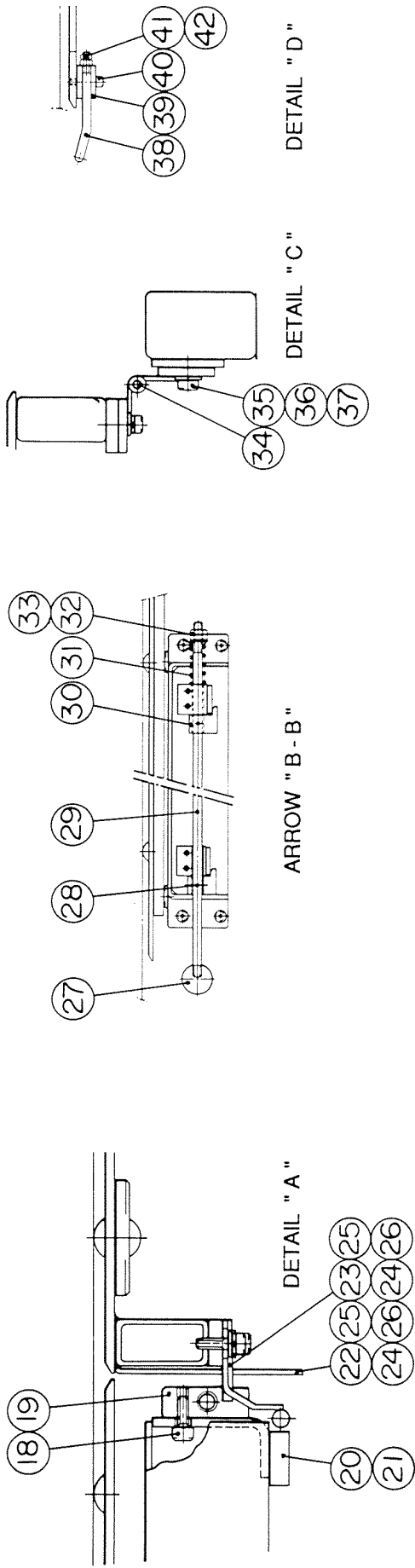
Table

Index No.	Parts No.	Parts Name	Drawing No. or Type	Q'ty	Note
1	74550901	Center table ass'y	6013350	1	~ser. No. C67620
2	74550902	Center table ass'y	6014300	1	ser. No. C67621~
3	74551030	Rear side table	6013358	1	ser. No. C67587~
4	74550908	Stud (B)	823224b	1	
5	74304914	Cap screw	M12 x 55	1	
6	44028616	Cap screw	M12 x 30	7	
7	44028619	Spring washer	M12	7	
8	74551001	C.C. table	6013353a	1	~ser. No. C67587
9	74551002	C.C. table	6013353b	1	ser. No. C67592 ~C67620
10	74551003	C.C. table	6013353c	1	ser. No. C67621~
11	74551007	C.C. table (with w. pusher)	6014196	1	ser. No. C67592 ~C67620
12	74551008	C.C. table (with w. pusher)	6014196a	1	ser. No. C67621~
13	74551025	Front side table	6013357a	1	~ser. No. C67620
14	74551026	Front side table	6013357b	1	ser. No. C67621~
15	74550918	Free stroke bearing guide (B)	6013347	1	~ser. No. C67587
16	74550919	Free stroke bearing guide (B)	6014198	1	ser. No. C67592 ~C67620
17	74550920	Free stroke bearing guide (B)	6014198a	1	ser. No. C67621~
18	74550917	Free stroke bearing guide (A)	6013346	4	
19	74551012	C.R. table (A)	6013356	1	~ser. No. C67587
20	74551013	C.R. table (A)	6013356a	1	ser. No. C67592 ~C67620
21	74551014	C.R. table (A)	6013356b	1	ser. No. C67621~
22	74551017	C.R. table (with w. pusher)	6014197	1	ser. No. C67592 ~C67620
23	74551018	C.R. table (with w. pusher)	6014197a	1	ser. No. C67621~
24	44028616	Cap screw	M12 x 30	17	
25	44028619	Spring washer	M12	17	
26	74551022	C.R. table (B)	6013355a	1	
27	44028616	Cap screw	M12 x 30	6	
28	44028619	Spring washer	M12	6	
29	74550925	Repositioning base	6013354	2	
30	74550906	Stud	823225b	12	
31	74550907	Stud	6014255	1	ser. No. C67621~
32	10443108	Cap screw	M12 x 110	1	
33	74550913	Spring	6013345	12	(11)
34	74550910	Repositioning stand	6013344	2	
35	74550930	Roller cam	6013352	2	

Unit No.03
Table

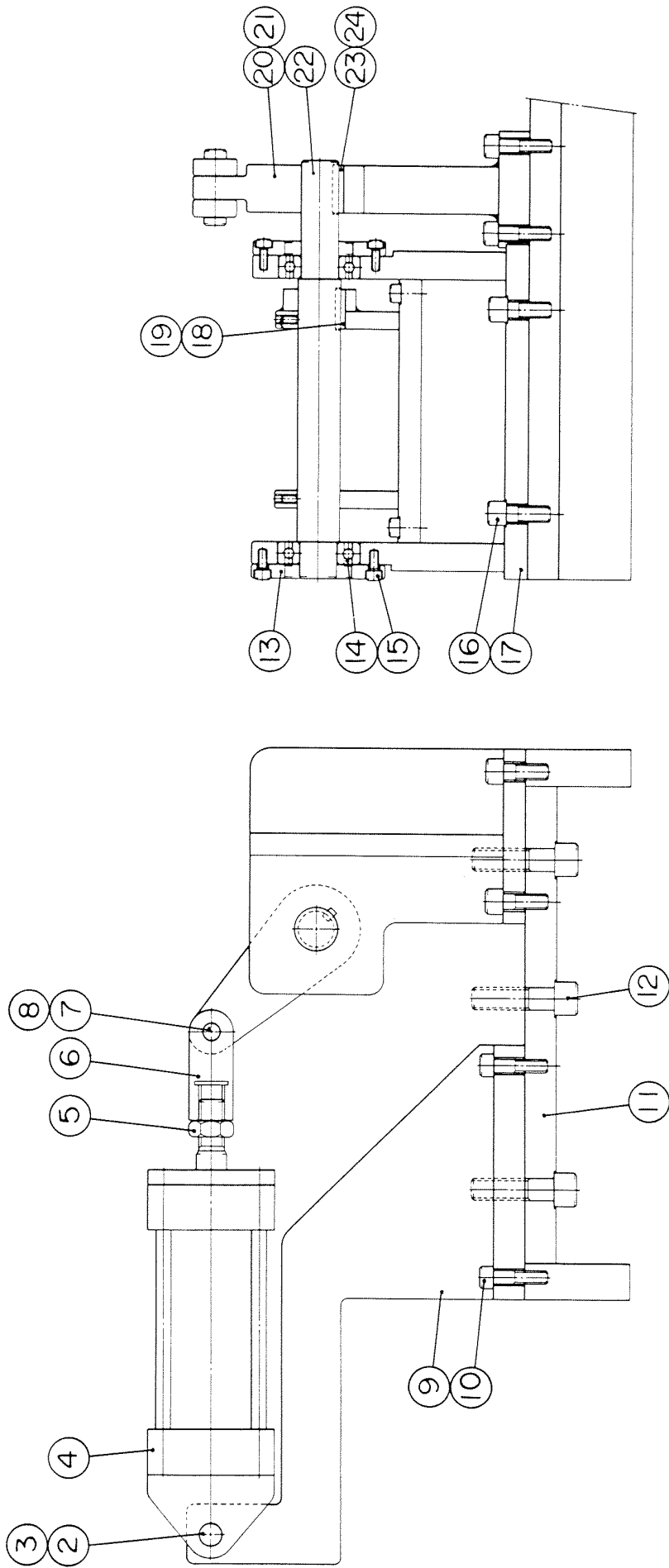


Unit No.04
 Sub table
 To serial No.C67587 and before.

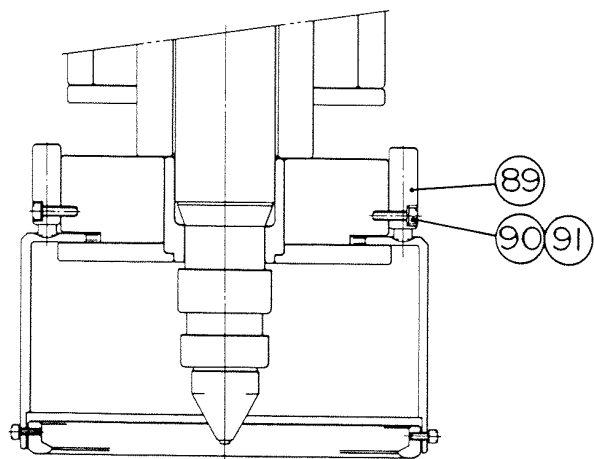
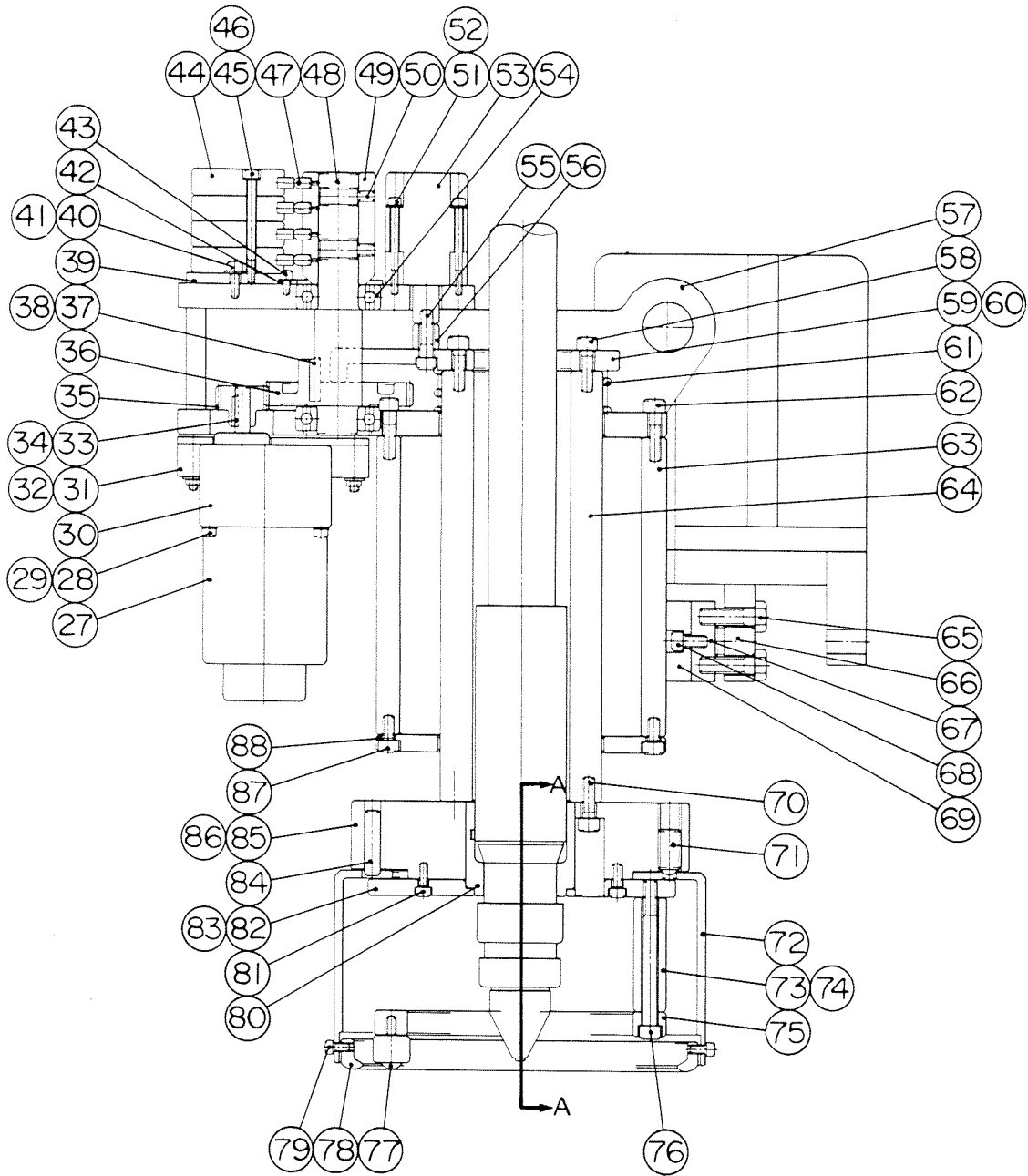


Index No.	Parts No.	Parts Name	Drawing No. or Type	Q'ty	Note
1	74551401	Sub table ass'y	6013390	1	
2	74551702	Clamp block	485204	4	(2)
3	74314415	Cap screw	M10 x 50	8	
4	74551405	Support bracket	6013392	1	
5	74551404	Sub table	6013391	1	
6	74551504	Gas spring	#0960	1	
7	74551505	Straight pin	φ8 x 18	2	
8	74551617 (75171014)	Free stroke bearing	C-8L	15	
9	74551618 (74160220)	Snap ring	RTW-56	15	
10	10558447	Bolt	M10 x 120	1	
11	10356522	Nut	M10 type-3	1	
12	74551409	Support arm	6013393	1	
13	44028616	Cap screw	M12 x 30	4	
14	74551502	Block	6013401	1	
15	74300605	Cap screw	M8 x 12	2	
16	74551509	Guard cover	6013402a	1	
17	74302829	Cap screw	M10 x 30	2	
18	44235241	Cap screw	M8 x 20	4	
19	74551417	Stopper	6013396	2	
20	74551428	Limit switch	D4C-T3 cable-3 m	1	
21	74314404	Cap screw	M5 x 20	2	
22	74551425	Dog	6013400	1	
23	74551424	Bracket	6013399	2	
24	44235241	Cap screw	M8 x 20	6	
25	44235242	Washer	M8	6	
26	10001521	Spring washer	M8	6	
27	74551415	Knob	PC40 x 12	1	
28	10557112	Spring pin	φ5 x 15	2	
29	74551414	Shaft	6013395	1	
30	74551418	Slide stopper	6013397	2	
31	74551421	Spring	6013398	1	
32	10340009	Nut	M12 type-3	2	
33	44028618	Washer	M12	1	
34	74551411	Hinge	6013394	2	
35	44235241	Cap screw	M8 x 20	8	
36	44235242	Washer	M8	8	
37	10001521	Spring washer	M8	8	
38	74551727 (71106226)	Pull	A-75-3 type-2	1	
39	74551513	Pull bracket	6013403	2	
40	75168508	Cap screw	M6 x 25	4	

Unit No.05
Plasma head



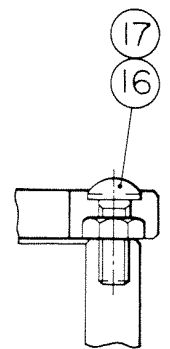
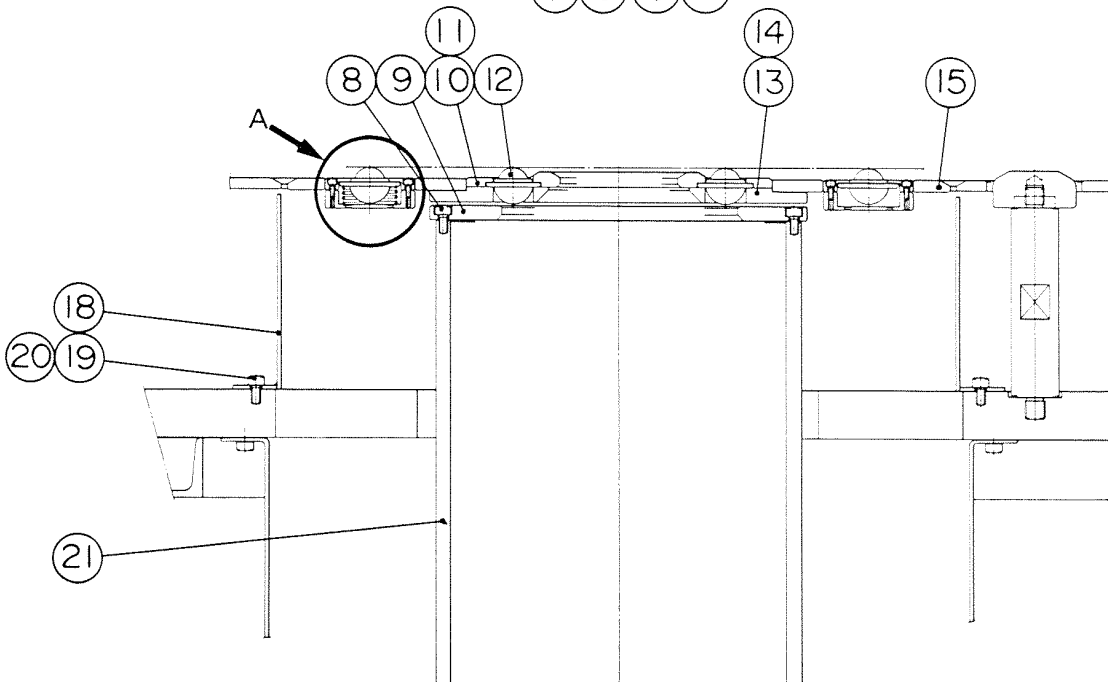
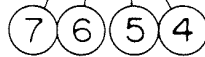
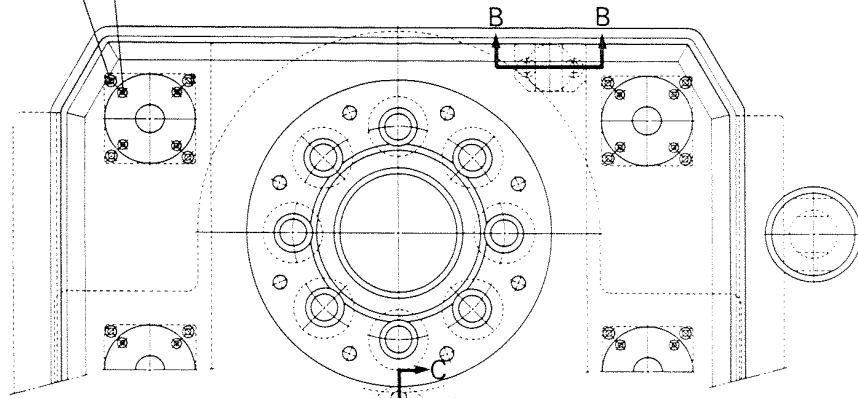
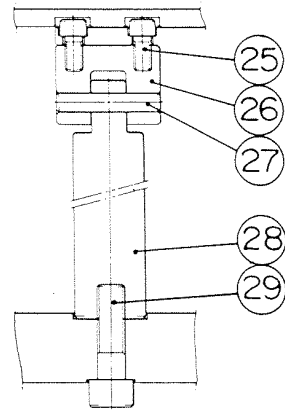
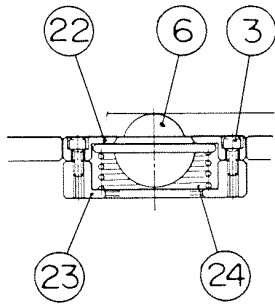
Unit No.05
Plasma head



SECTION "A - A"

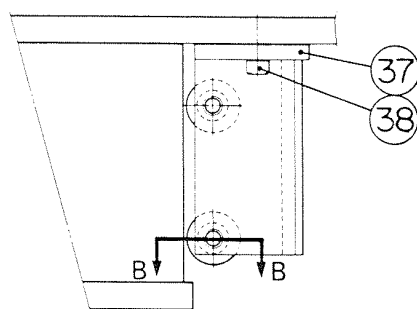
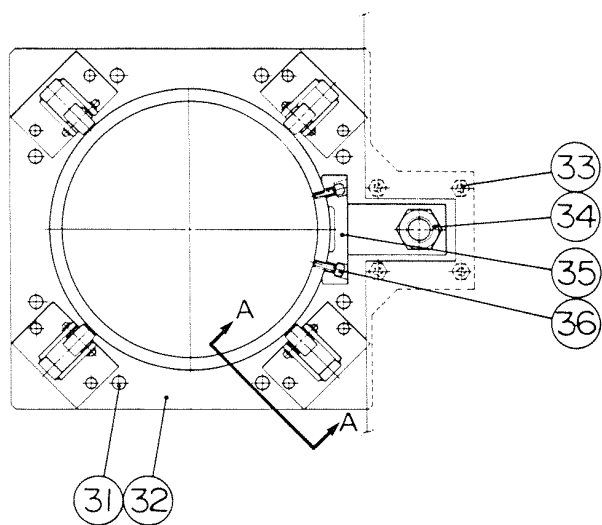
Unit No. **05**
 Plasma head

Index No.	Parts No.	Parts Name	Drawing No. or Type	Q'ty	Note
25	74552201	Plasma head (lower) ass'y	5594170-1/2b 5594170-2/2	1	~ser. No. C67620
26	74552202	Plasma head (lower) ass'y	5594170-1/2c 5594170-2/2	1	ser. No. C67621~
27	74552502	Reversible motor	RM-H8A-30PF-AA	1	
28	10372010	Cap screw	M5 x 60	4	
29	36326135	Washer (polish)	M5	4	
30	74552505	Gear head	8RH-D-75	1	
31	74552427	Motor bracket	5594172	1	
32	74552509	Rubber cushion	EA2001	4	
33	74552407	Key	6010542	1	
34	74552408	Set screw (with ball)	M5 x 0.5 x 7	1	
35	74552406	Drive gear	6010515a	1	
36	74552402	Driven gear	6014176	1	
37	74552403	Key	6013231	1	
38	74552408	Set screw (with ball)	M5 x 0.5 x 7	1	
39	74552417	L.S. base plate	6011034	1	
40	74300604	Cap screw	M6 x 15	2	
41	10330125	Washer (polish)	M6	2	
42	74552326	Bearing retainer	6013229	1	
43	74302810	Cap screw	M5 x 10	4	
44	74552333	Limit switch	D4C-T2	4	
45	10329638	Cap screw	M5 x 65	2	
46	36326135	Washer (polish)	M5	2	
47	74552413	Pin	6013233	30	
48	74552324	Adjusting shaft	5594173a	1	
49	74552412	Pin holder	6013232	1	
50	74314811	Set screw	M8 x 10	2	
51	10329638	Cap screw	M5 x 65	4	
52	36326135	Washer (polish)	M5	4	
53	74552420	Air cylinder	5594174	1	
54	74552102 (75171406)	Ball bearing	#6205ZZ	2	
55	74302818	Cap screw	M8 x 30	1	
56	74552424	Collar	5594194a	1	
57	74552206	Head base	5594187d	1	
58	21415514	Cap screw	M8 x 25	4	
59	74552318	Stopper plate	5594175a	1	
60	74302810	Cap screw	M5 x 10	1	
61	74552321	Balance spring	5594176a	1	
62	21415514	Cap screw	M8 x 25	6	
63	74552209	Shaft holder	5594178a	1	
64	74552211	Slide shaft (with key)	5594177	1	

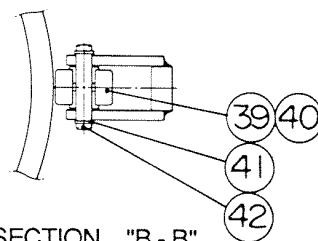


SECTION "C - C"

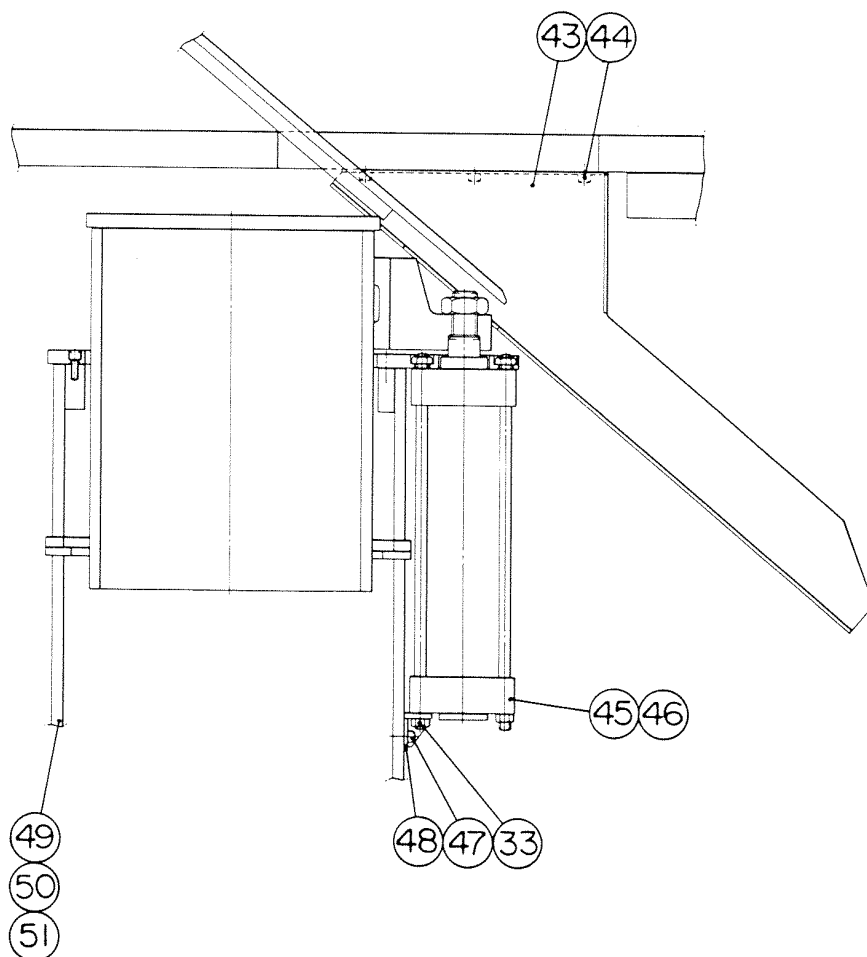
Unit No.06
Plasma chuter



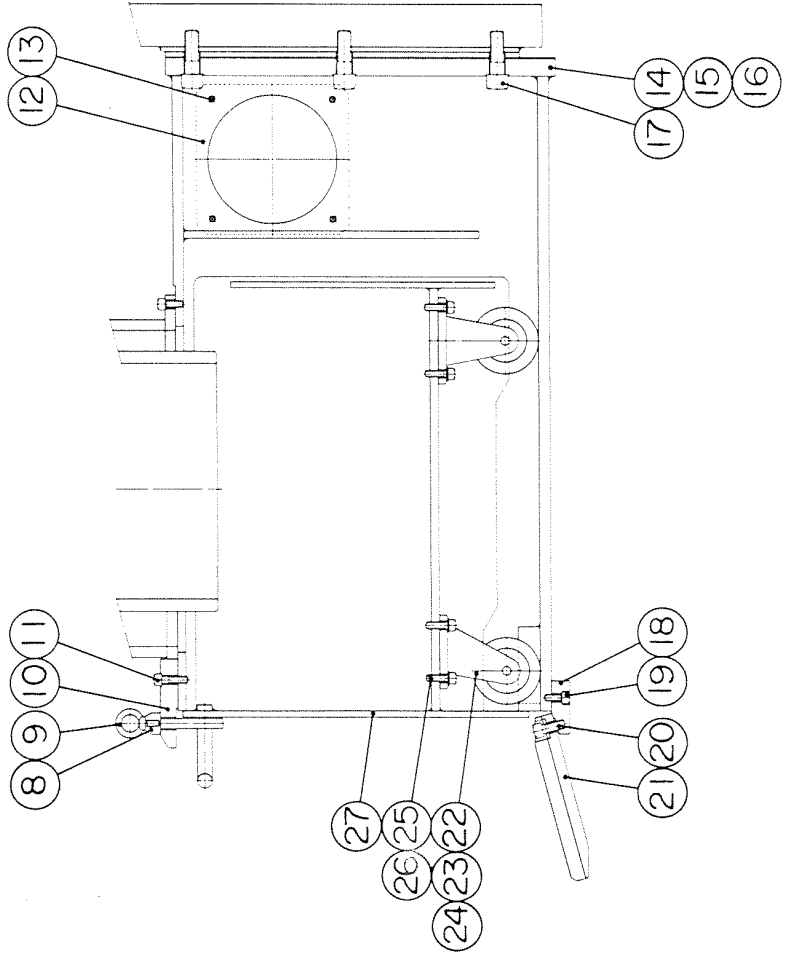
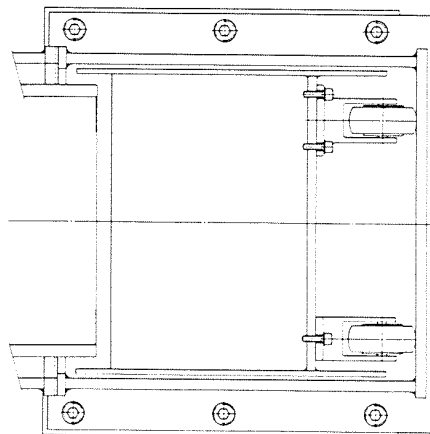
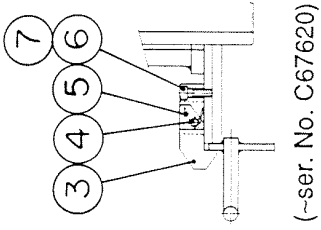
ARROW "A - A"



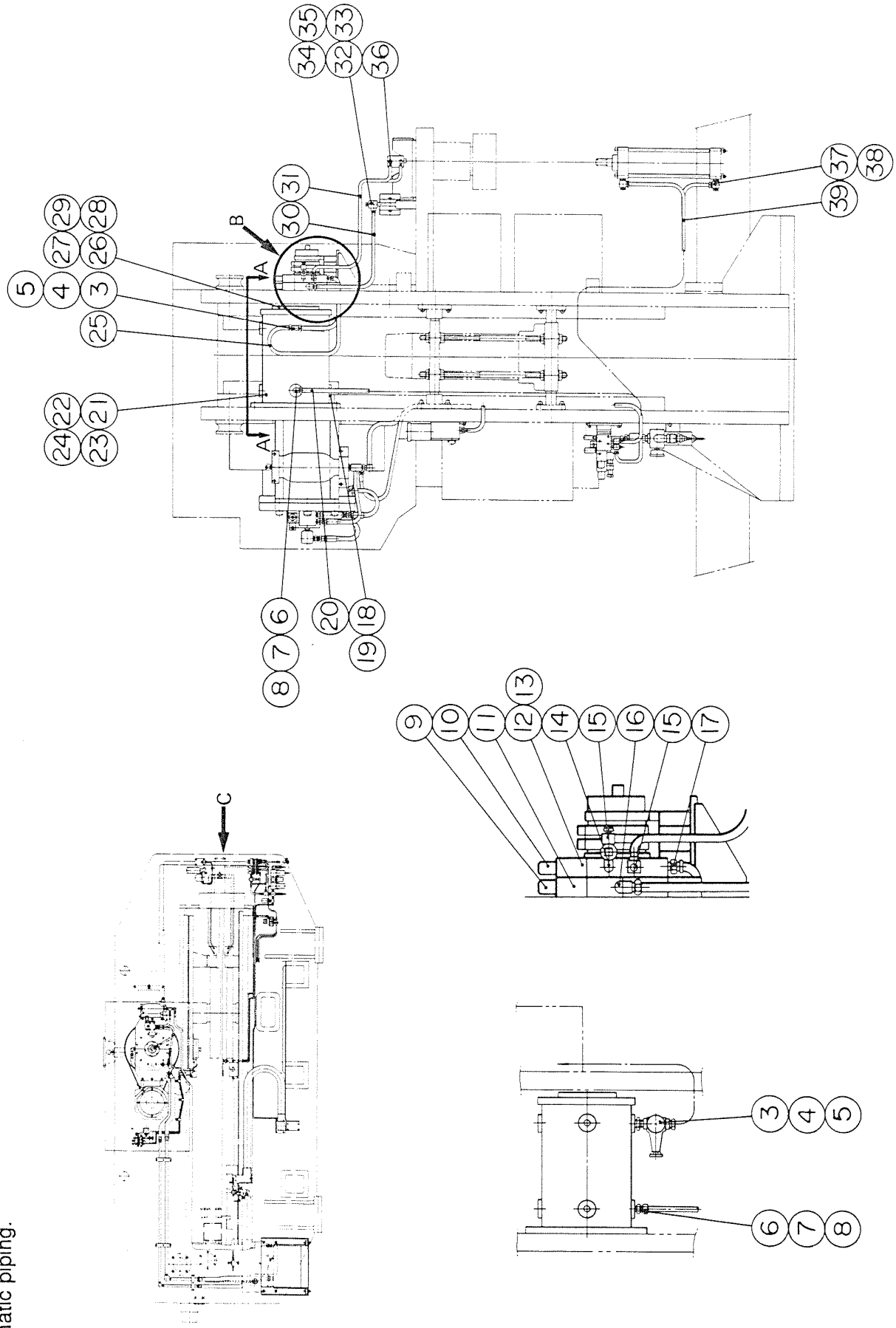
SECTION "B - B"



Unit No.07
Dust box



Unit No.08
Pneumatic piping.

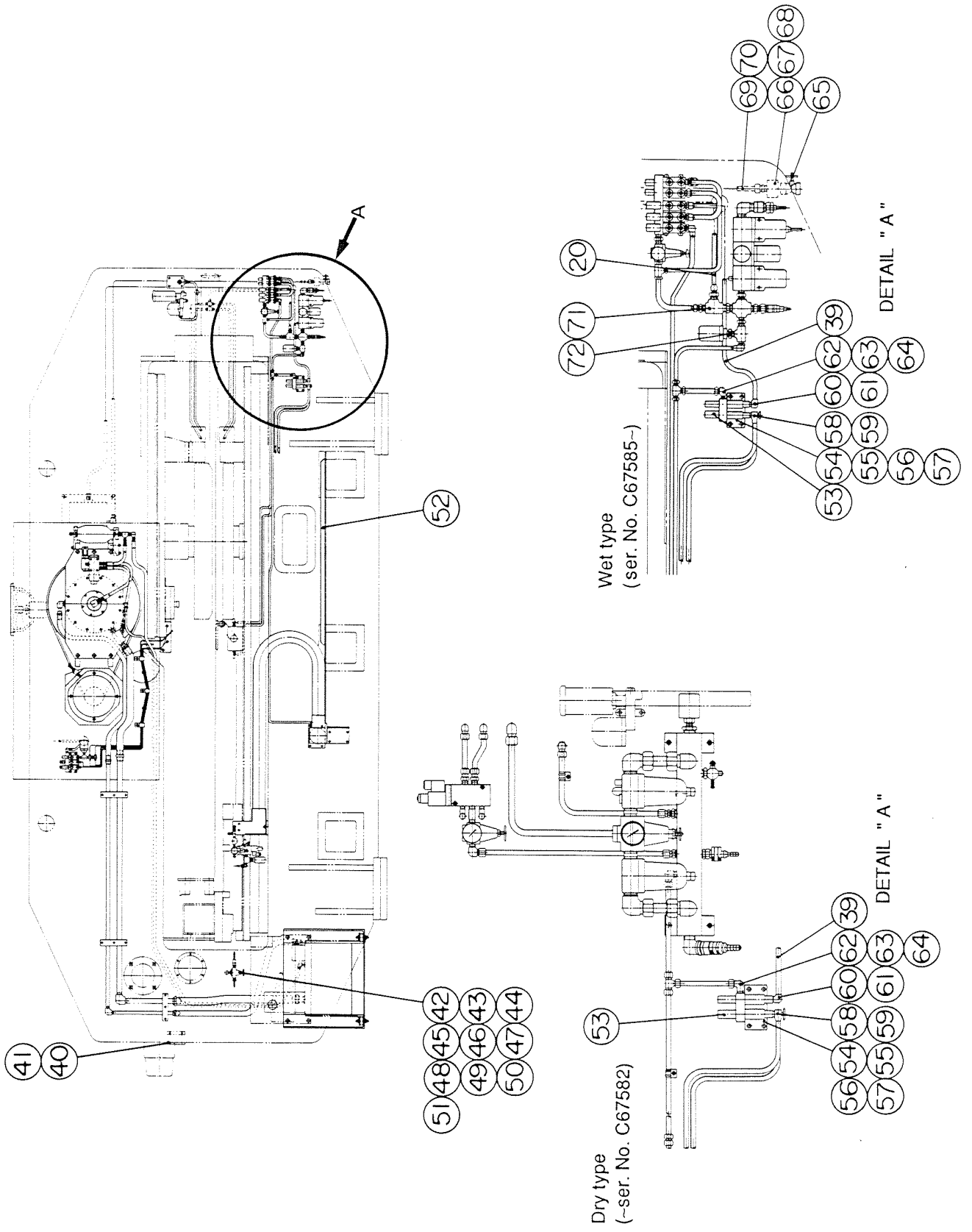


Unit No. 08

Pneumatic piping

Index No.	Parts No.	Parts Name	Drawing No. or Type	Q'ty	Note
1	74553301	Pneumatic piping ass'y	5594301	1	~ser. No. C67582
2	74553302	Pneumatic piping ass'y	6014275a	1	ser. No. C67585~
3	74553305	Regulator (with gauge)	AR-210-02G-4	1	
4	74553306	Tee	PTA 6 x 4-PT 1/4-BS	1	
5	74553307 (58251326)	Bushing	1/2" x 1/4"	1	
6	74553362 (74163016)	Connector	SJ-S-15 x 1/2"	2	
7	74553363 (74162929)	Nut	SJ-C-15	2	
8	74553364 (74163106)	Sleeve	SJ-D-15	2	
9	74553321 (74162502)	Silencer	SA-8	2	
10	74553321 (74162502)	Silencer	SA-8	2	
11	74553314	Solenoid valve	5ED-8E	1	
12	74553313 (74162402)	Solenoid valve	5ER-8E	1	
13	36327134	Cap screw	M6 x 80	2	
14	74553322 (71000451)	Elbow	PL6 x 4-PT 1/4-BS	1	
15	74553317 (71107808)	Speed controller	SC702-06-1	2	
16	74553322 (71000451)	Elbow	PL6 x 4-PT 1/4-BS	1	
17	74553309 (75169924)	Nipple	1/4"	1	
18	74553329 (74309904)	Bushing	1/2" x 3/8"	1	
19	74553432 (74310028)	Male elbow	LT-109 (3/8")	1	
20	74553366	Copper pipe	φ15 x 1 ^t x 3 m	1	
21	74553352 (74309227)	Accumulator	827570e	1	
22	74304917	Cap screw	M12 x 40	4	
23	44028619	Spring washer	M12	4	
24	74553346 (76175414)	Plug	1/2"	4	
25	74553308	Tube	UH30-06 0.6 m	2	
26	74553353 (74309620)	Accumulator cover	827571c	1	
27	74553359 (61162906)	O-ring	G-120 type-1A blue	1	
28	74302818	Cap screw	M8 x 30	6	
29	10001521	Spring washer	M8	6	
30	74553324	Tube	UH30-06 1.5 m	2	
31	74553324	Tube	UH30-06 1.5 m	2	
32	74553318 (71000104)	Speed controller	SC702-06-0	1	
33	74553318 (71000104)	Speed controller	SC702-06-0	1	
34	74553322 (71000451)	Elbow	PL6 x 4-PT 1/4-BS	2	
35	74553328	Bushing	3/8" x 1/4"	2	
36	74553323 (71102147)	Elbow	PL6 x 4-PT 1/8-BS	2	
37	74553318 (71000104)	Speed controller	SC702-06-0	1	
38	74553318 (71000104)	Speed controller	SC702-06-0	1	
39	74553325	Tube	AS4-50-08G	2	

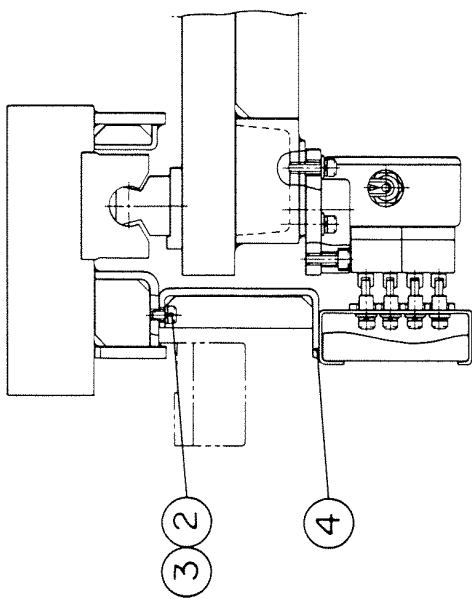
Unit No.08
Pneumatic piping



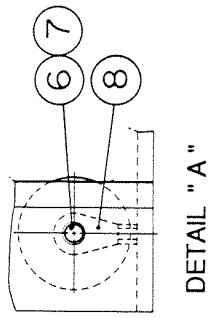
Unit No. 08
Pneumatic piping

Index No.	Parts No.	Parts Name	Drawing No. or Type	Q'ty	Note
40	74553356	Level gauge bracket	6014262a	1	
41	74314411	Cap screw	M8 x 50	2	
42	74553411 (74162329)	Regulator	AR210-02G	1	
43	74553414 (58354701)	Plug	20PM	1	
44	74553415 (74162521)	Socket	20SH	1	
45	74553407	Connector	1/4"	1	
46	74553408	Rubber hose	8 x 2BR 5 m	1	
47	74553409	Hose band	Φ16.7	3	
48	74553421	Air filter	MODEL-105	1	
49	74553404	Nipple	3/8" x 1/4"	1	
50	74553328	Bushing	3/8" x 1/4"	1	
51	74553419	Rotor meter	1358A	1	
52	74553350	Duct base	6013412	1	
53	74553321 (74162502)	Silencer	SA-8	2	
54	74553335 (74162441)	Solenoid valve	E108-02-5ER	1	
55	44235241	Cap screw	M8 x 20	4	
56	10001521	Spring washer	M8	4	
57	74553345 (54121602)	Plug	PT 3/8"	1	
58	74553318 (71000104)	Speed controller	SC702-06-0	1	
59	74553318 (71000104)	Speed controller	SC702-06-0	1	
60	74553322 (71000451)	Elbow	PL6 x 4-PT 1/4-BS	2	
61	74553307 (58251326)	Bushing	1/2" x 1/4"	2	
62	74553339 (74162905)	90° elbow	SJ-E-10 x 1/4"	1	
63	74553340 (74162930)	Nut	SJ-C-10	1	
64	74553341 (74162912)	Sleeve	SJ-D-10	1	
65	74553430 (74162529)	Miniature valve	MV-603 (3/8")	1	
66	74553427	Oil level gauge block	825515d	1	
67	10310362	Cap screw	M6 x 45	2	
68	44027928	Spring washer	M6	2	
69	74553434	Tube	TC-109 (3/8") 2.7 m	1	
70	74553431	Male connector	NT-109 (3/8")	1	
71	74553402 (37118718)	Tee	1/2"	1	
72	74553403	Nipple	1/2" x 1/2"	1	
73	74553424 (74532808)	Air cylinder (for Repo'G)	CA1G-80-50	2	

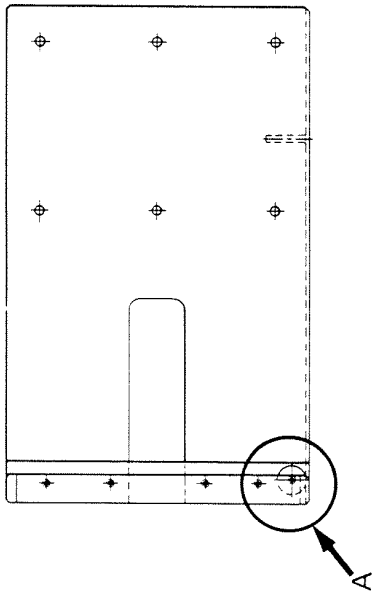
Unit No.09
Electric (I)



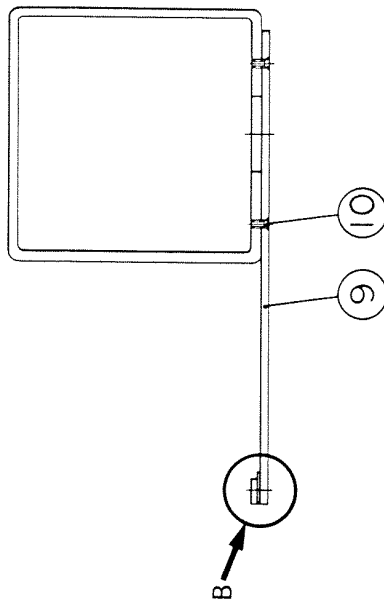
Y-axis L.S.



DETAIL "A"

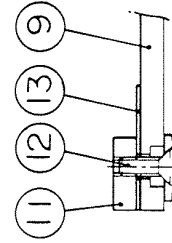


A

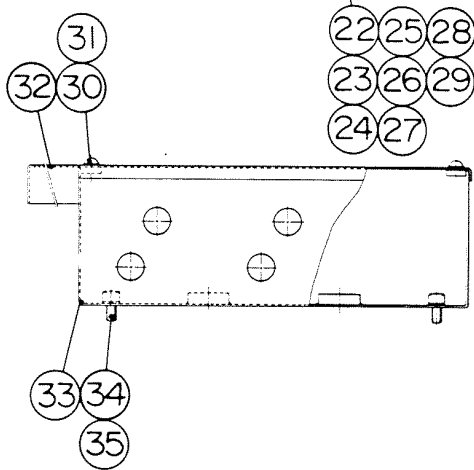
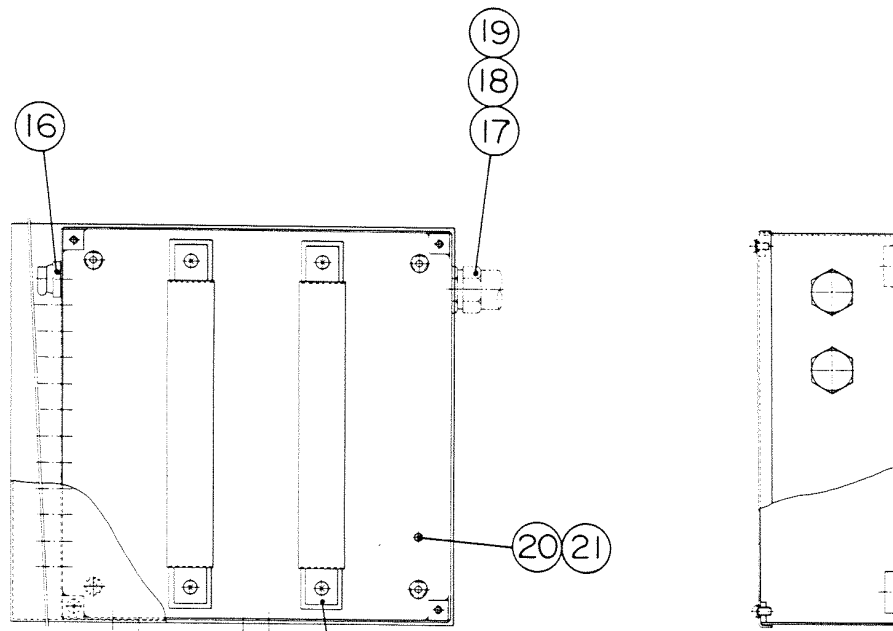


B

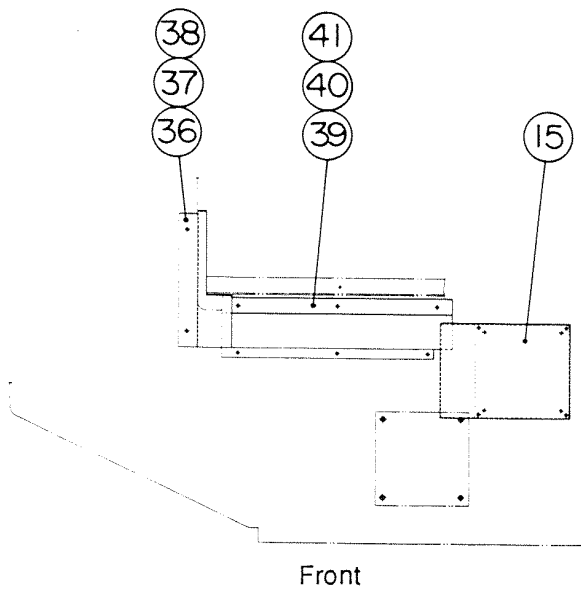
X-axis override



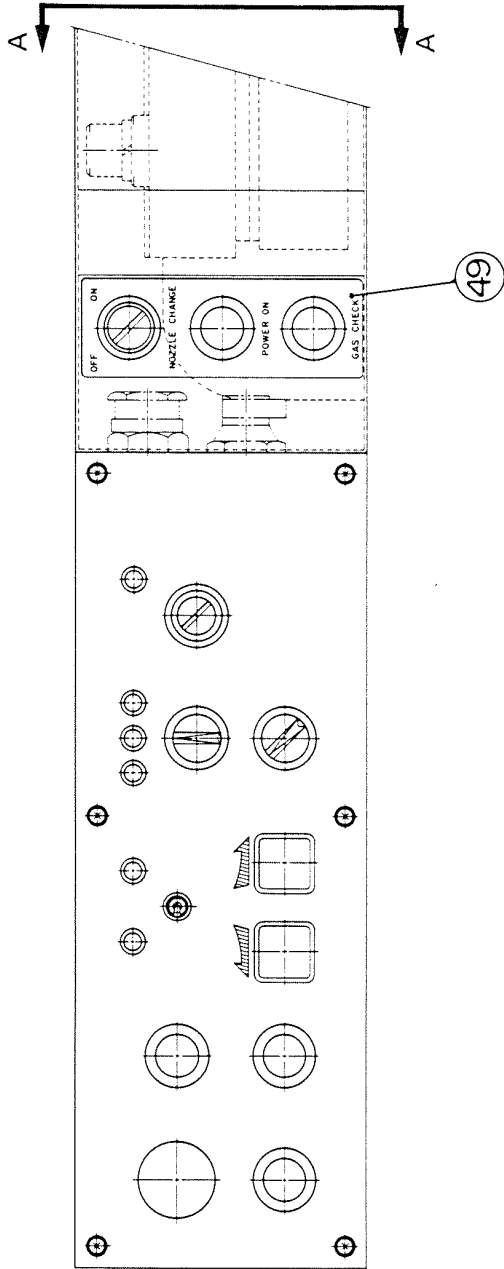
DETAIL "B"



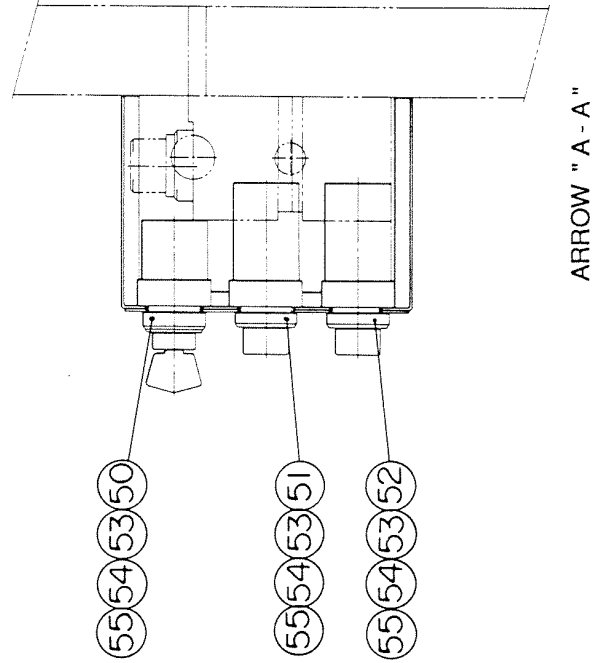
Plasma junction box



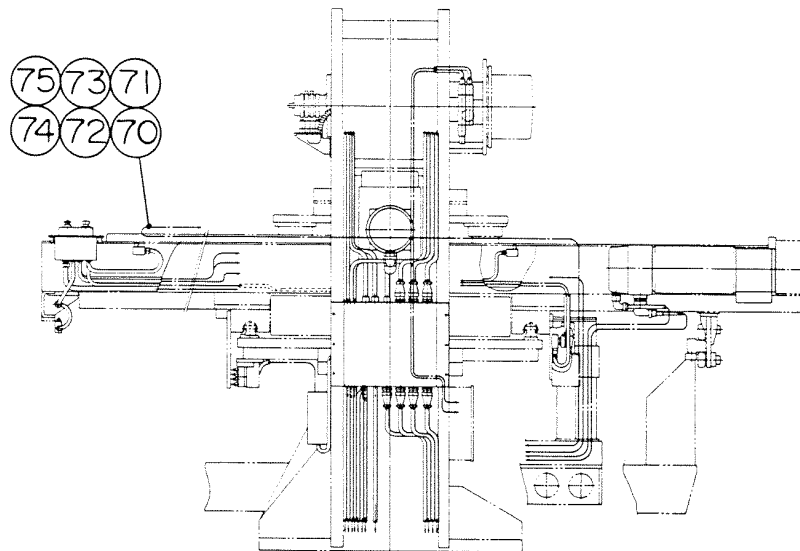
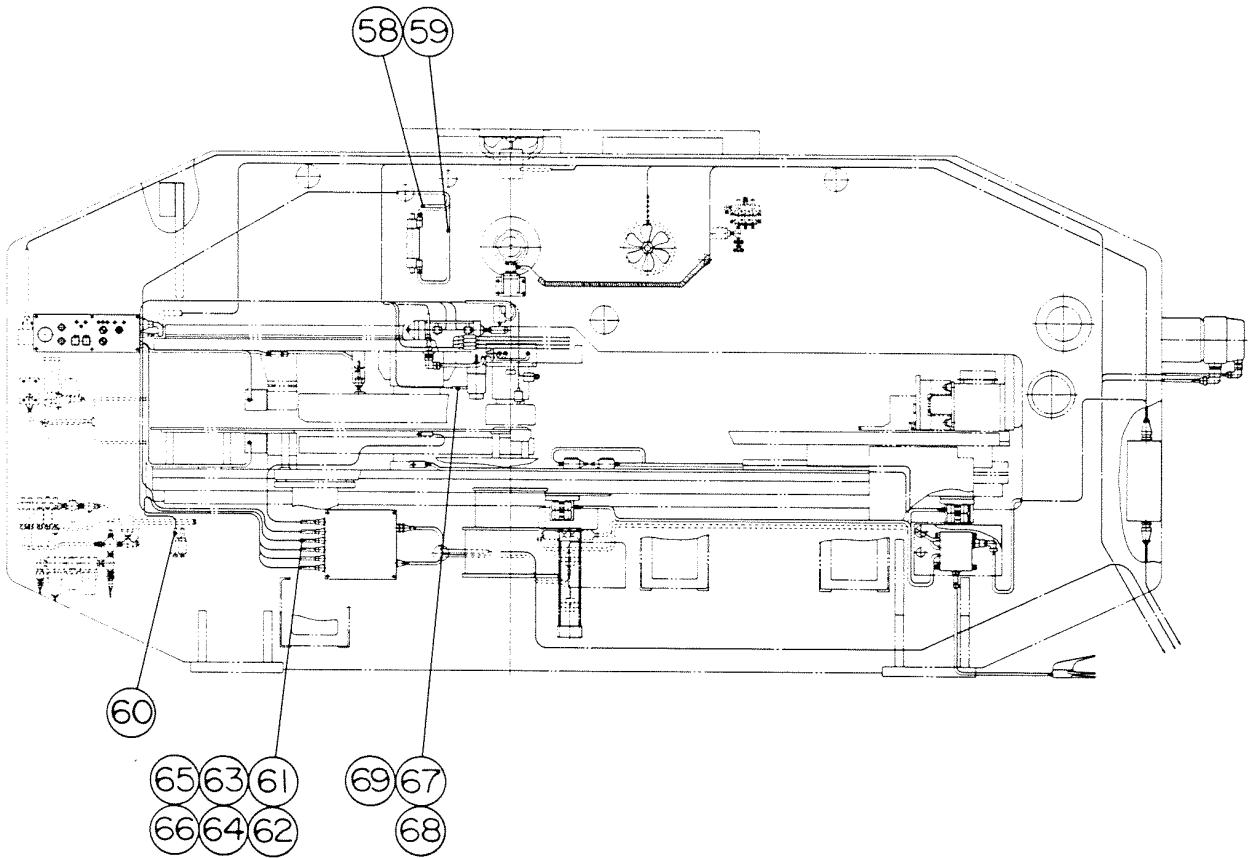
Front



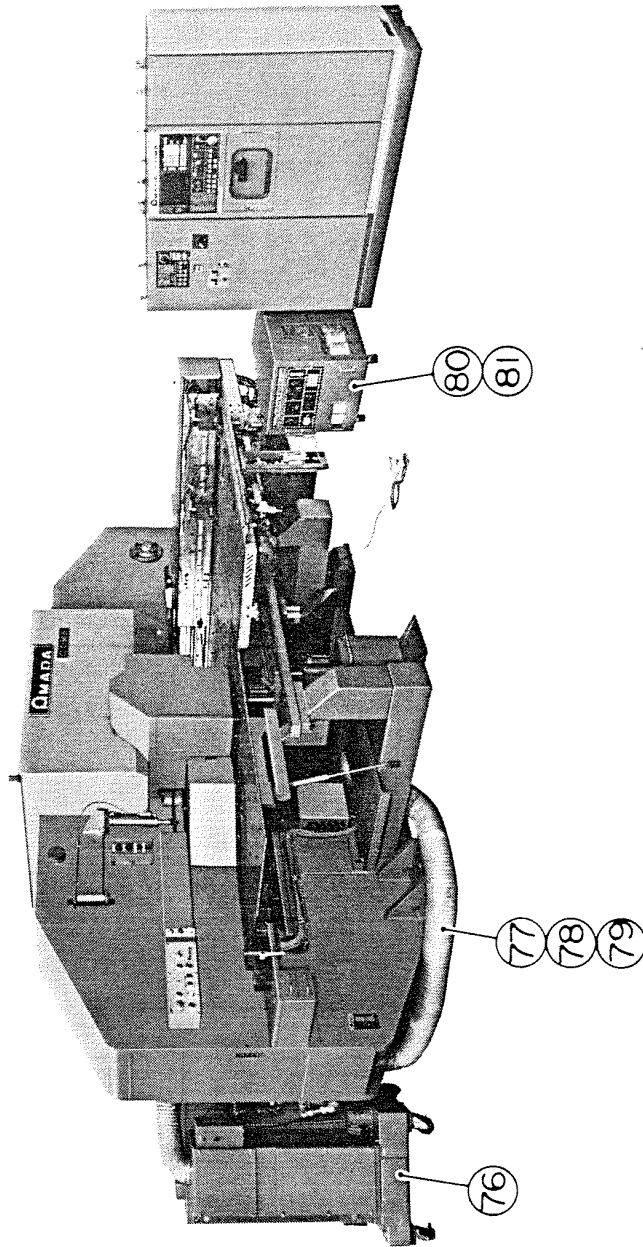
Plasma control box



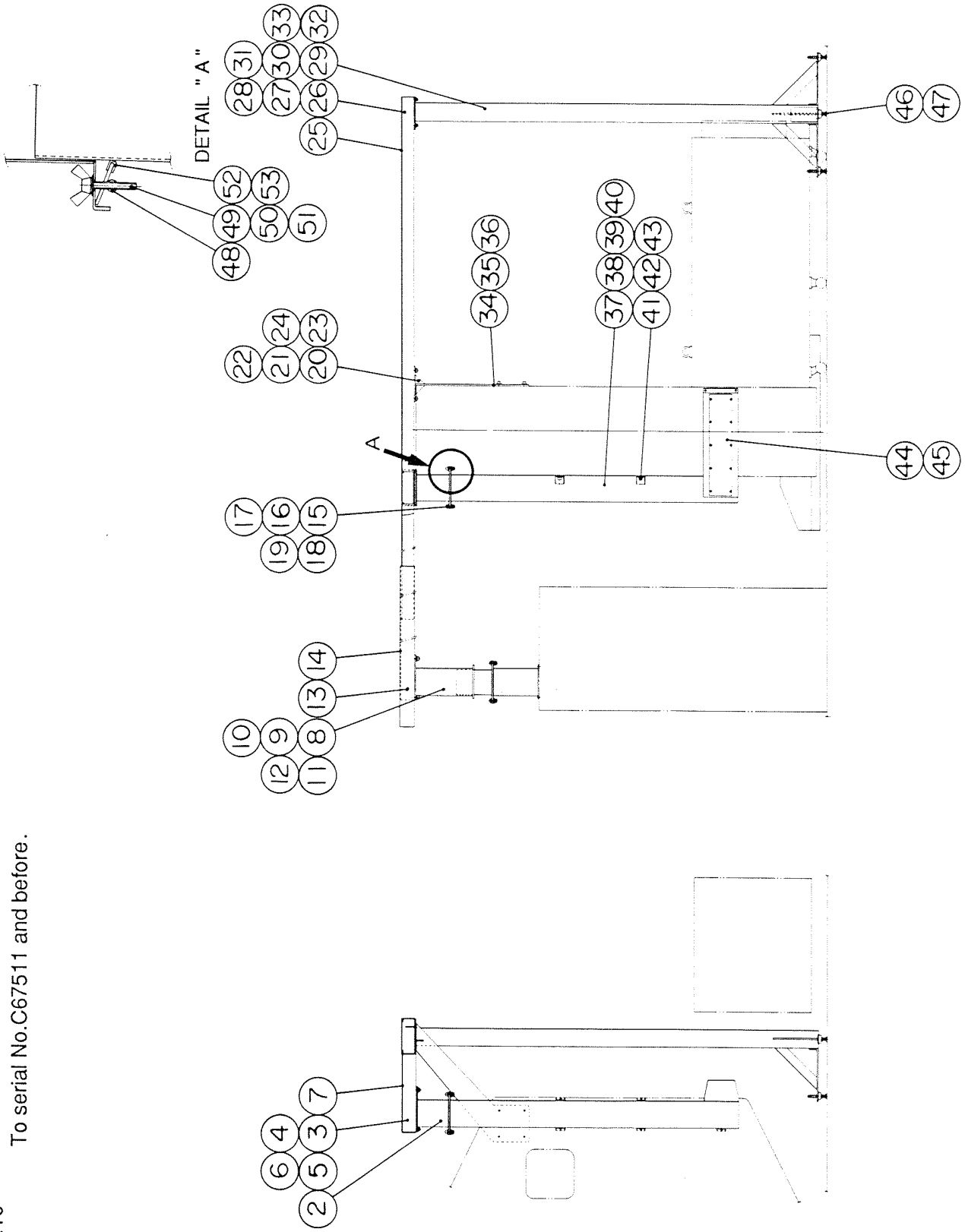
Unit No.09
Electric (I)



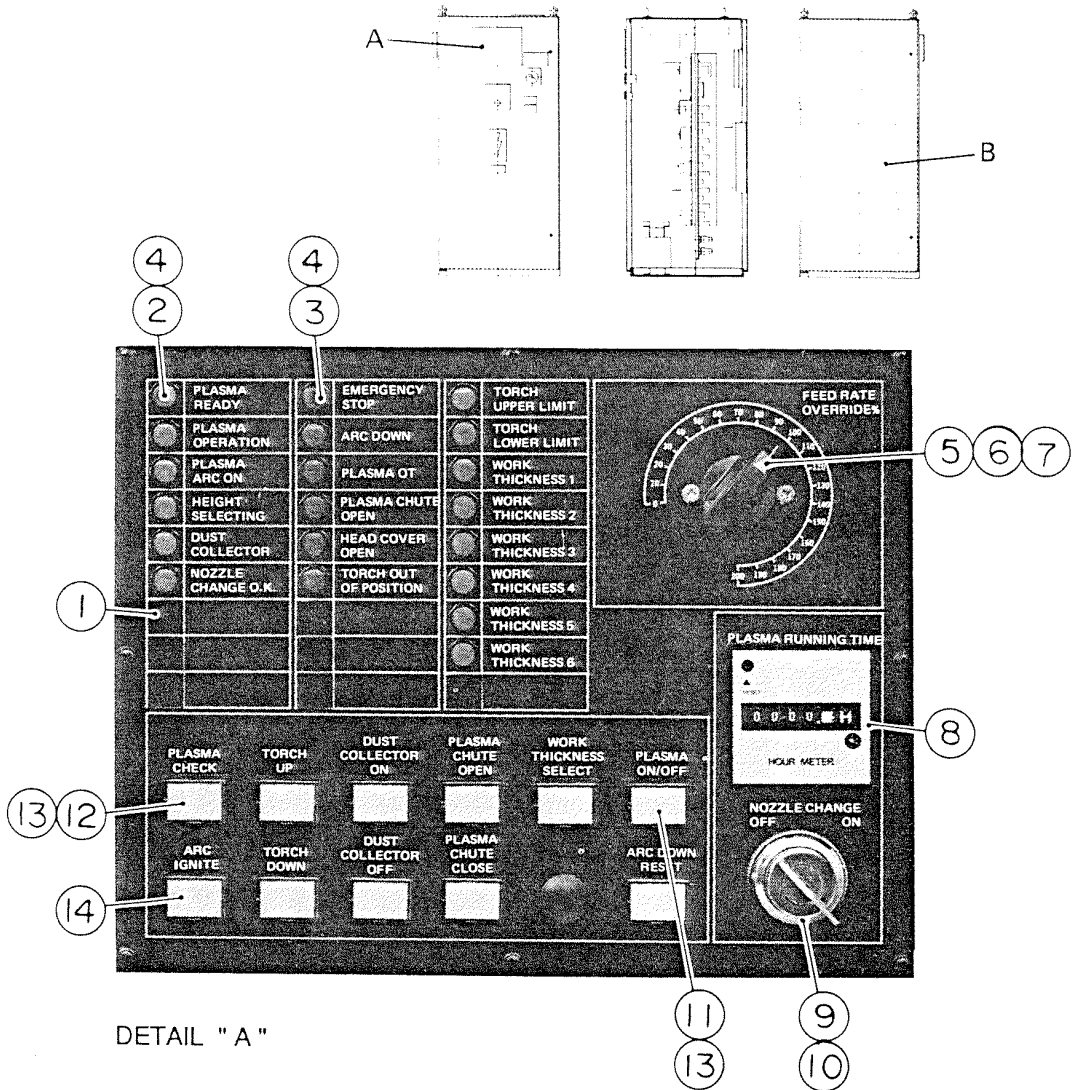
Unit No.09
Electric (1)



Unit No.10
Duct
To serial No.C67511 and before.



Index No.	Parts No.	Parts Name	Drawing No. or Type	Q'ty	Note
1	74554501	Duct ass'y	5594270	1	
2	74554517	Duct	5594275	1	
3	74554518	Connection duct	5594274	1	
4	44235241	Cap screw	M8 x 20	4	
5	10001521	Spring washer	M8	4	
6	44235242	Washer	M8	4	
7	74554524	Connection cover	5594278	1	
8	74554543	Telescope	5594271	1	
9	44235241	Cap screw	M8 x 20	4	
10	10001521	Spring washer	M8	4	
11	44235242	Washer	M8	4	
12	10001517	Nut	M8	4	
13	74554519	Duct (NC side)	5594272	1	
14	74554525	Duct cover (NC side)	5594279	1	
15	74554547	Direction packing	828698	1	
16	21415514	Cap screw	M8 x 25	4	
17	10001521	Spring washer	M8	4	
18	44235242	Washer	M8	4	
19	10001517	Nut	M8	4	
20	74554536	Duct bracket	5594276	1	
21	44235241	Cap screw	M8 x 20	4	
22	10001521	Spring washer	M8	4	
23	44235242	Washer	M8	4	
24	10001517	Nut	M8	4	
25	74554526	Duct cover (frame side)	5594280	2	
26	74554520	Duct (frame side)	5594273	1	
27	74300604	Cap screw	M6 x 15	8	
28	44027930	Washer	M6	8	
29	74554539	Duct stand	5594277	1	
30	44235241	Cap screw	M8 x 20	4	
31	10001521	Spring washer	M8	4	
32	44235242	Washer	M8	4	
33	10001517	Nut	M8	4	
34	73157630	Cap screw	M8 x 15	4	
35	10001521	Spring washer	M8	4	
36	44235242	Washer	M8	4	
37	74554508	Duct body	828866a	1	
38	74159713	Cap screw	M6 x 16	3	
39	44027928	Spring washer	M6	3	
40	44027930	Washer	M6	3	

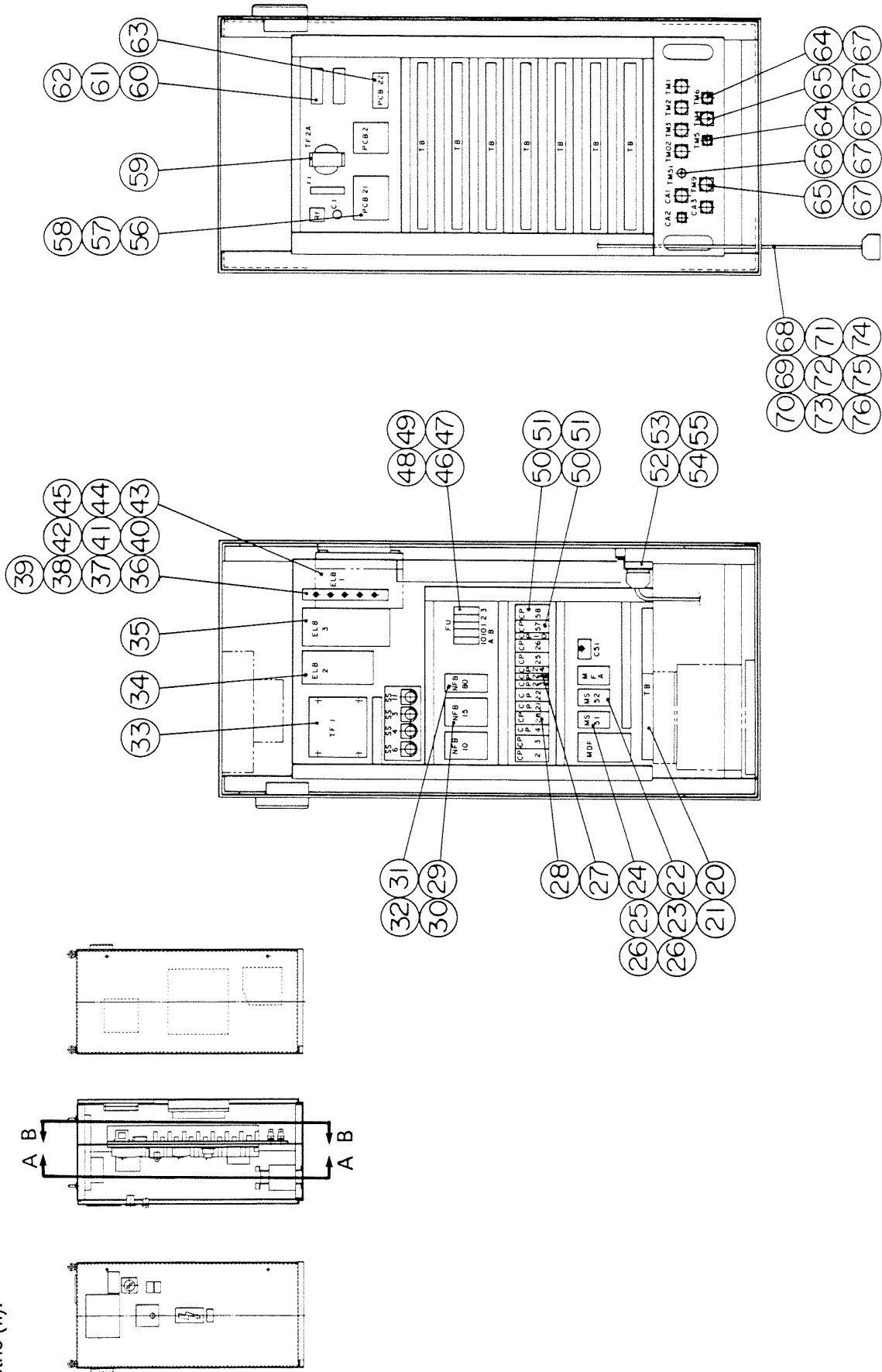


DETAIL " A "

	1	2	3	4	5	6	7	8
A	(WTC)	(EMX)	(AMP)	(ORDX)	(LES-Y)	(LES-H)	(OTHR)	
B	(WSP0)	(WSP1)			STHO	LHUP	ORDP	OTPM
C					WPB	WPF	(WMBX)	(WMFX)
D	(MDFX)	(WC)	(WH)	(ST1)	(STO)	(SHP)	(EM)	(LBM)
E	(WSE)	(CSON)	(WS)	(ALP)	(IBKA)	(IBKB)	(ICLP)	(CPDB)
F	(BKUA)	(BKUB)	(BKDA)	(BKDB)	(IPC)	(CPUA)	(CPUB)	(CPDA)
G	CR51	CR52	HTRD	HTRU	LHDN	HCO	ATBU	(OFX)
H	ING	CUT	SGS	PWKS	HUD	ATH		
I	(MHDX)	(HDPS)	(HDFL)	(HDTH)	(EMP)	(SAFV)	(PENB)	(HPM)

DETAIL " B "

Unit No.11
Electric (II).



Unit No. 11
Electric (II)

Index No.	Parts No.	Parts Name	Drawing No. or Type	Q'ty	Note
20	74554058	Terminal block	MF333/50P	1	
21	74554059	Terminal block	F15/26P	1	
22	74554016	Magnet switch (MS52)	SRCa3931-02 coil 100V 0.48-0.72A/200, 230V	1	
23	74554018	Magnet switch (MS52)	SRCa3931-02 coil 100V 0.24-0.36A/400, 460V	1	
24	74554017	Magnet switch (MS51)	SRCa3931-02 coil 100V 7-11A/200, 230V	1	
25	74554019	Magnet switch (MS51)	SRCa3931-02 coil 100V 4-6A/400, 460V	1	
26	74554035 (74164321)	Noise killer	ENB221C-14A	2	
27	74554220 (74521426)	Circuit protector (CP23B)	CP31E/0.25W	1	
28	74554221 (74521429)	Circuit protector (CP28)	CP32E/0.5	1	
29	74554213 (43143509)	Circuit breaker (NFB15)	SA33/10W (200, 230V)	1	
30	74554214 (43143508)	Circuit breaker (NFB15)	SA33/5W (400, 460V)	1	
31	74554215	Circuit breaker (NFB80)	SA32/10W (200, 230V)	1	
32	74554216	Circuit breaker (NFB80)	SA32/E'W (400, 460V)	1	
33	74554042	Transformer (TF1)	OTA-5384 φ1 2KVA 50/60Hz 0-200-230-350V / 0-200-230V / 100-120-130V	1	
34	74554004	Circuit breaker (ELB2)	EGa103A/60-200mA	1	
35	74554005	Circuit breaker (ELB3)	EGa203A/175-200mA	1	
36	74554202	Ground bar	Ⓢ 53672	1	
37	74554204	Stud	M10 x 80	2	
38	74554206	Nut	M10 type-2	10	
39	74554208	Washer (polish)	M10	8	
40	74554205	Stud	M8 x 60	2	
41	74554207	Nut	M8 type-2	10	
42	74554209	Washer (polish)	M8	8	
43	74554003	Circuit breaker (ELB1)	EGa203A/225-200mA	1	
44	74554010	Lever	N-21EA	1	
45	74554012	Cover	T-22E	1	
46	74554048	Fuse (Fu3)	3A	1	~ser. No. C67504
47	74554050 (74342526)	Fuse (Fu3)	ATM-A6Y-2 (3A)	1	ser. No. C67508~
48	74554049 (74308527)	Fuse holder	F7111	1	~ser. No. C67504
49	74554051 (36329156)	Fuse holder	#30321 (1P)	1	ser. No. C67508~
50	74554222	Circuit protector (CP57, 58)	CP32E/10W (200, 230V)	2	
51	74554223	Circuit protector (CP57, 58)	CP32E/5 (400, 460V)	2	~ser. No. C67519
52	74554112	Metal contact (CA-10)	MR-50RFH	1	
53	74554113 (71108846)	Metal contact (CA-31)	MR-50RMH	1	
54	74554114 (71108844)	Metal contact (CA-32)	MR-20RMH	1	
55	74554115	Metal contact (CA-05)	MR-20MFH	1	~ser. No. C67504
56	74554102	P.C.B. (PCB21)	Ⓢ 45367	1	
57	74554106	Cover	Ⓢ 52833	1	
58	74554107	Stud	M3 x 20	12	

Unit No. 11
Electric (II)

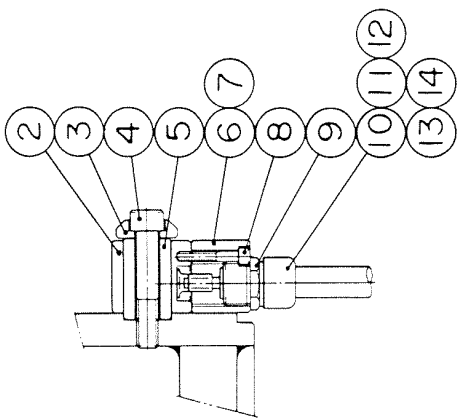
Index No.	Parts No.	Parts Name	Drawing No. or Type	Q'ty	Note
59	74554044	Transformer (TF2A)	KH-122 ϕ 1 / 2A 0-100-110V / 0-6-8-10-12V	1	
60	74554055	Lag plate	10 p	1	
61	74554036	Noise killer (for motor)	Z15L102 special	3	
62	74554037	Noise killer (for SOL)	Z10L221	7	
63	74554103	P.C.B. (PCB22)	Ⓢ 45102	1	
64	74554062	Connector (TM-5, 6)	206043-1	2	
65	74554063	Connector (TM-4, 9)	206306-1	2	
66	74554111	Metal contact (TM-51)	NCS254-RF	1	
67	74554064	Socket	66101-2	91	
68	74554127	Shield cable (CA-01)	0.2 mm ² x 50 ^C x 2.9 m	1	
69	74554126	Shield cable (CA-02)	0.2 mm ² x 50 ^C x 2.7 m	1	
70	74554126	Shield cable (CA-03)	0.2 mm ² x 50 ^C x 2.7 m	1	
71	74554118 (74521819)	Metal contact (CA-04)	MR-50LFH	1	
72	74554128	Shield cable (CA-04)	0.2 mm ² x 50 ^C x 2.8 m	1	
73	74554129	Shield cable (CA-05)	0.2 mm ² x 10 ^P x 3.05 m	1	
74	74554116 (74521818)	Metal contact (CA-05)	MR-20LFH	1	
75	74554117	Metal contact (CA-05)	MR-20LMH	1	
76	74554130	Shield cable (CA-13)	0.2 mm ² x 10 ^P x 3.57 m	1	
77	74554136	S-FLEX cable (TM-59)	VCT 0.75 mm ² x2 ^C x3 m	1	
78	74553821	Lug terminal (TM-59)	1.25-YS3A	2	
79	74553818	Lug terminal (TM-59)	R1.25-4	2	
80	74554124	Shield cable (CA-10)	0.2 mm ² x 50 ^C x 1.4 m	1	
81	74554118 (74521819)	Metal contact (CA-10)	MR-50LFH	1	
82	74554119	Metal contact (CA-10)	MR-50LMH	1	
83	74554125	Shield cable (CA-31)	0.2 mm ² x 50 ^C x 2.35 m	1	
84	74554118 (74521819)	Metal contact (CA-31)	MR-50LFH	1	
85	74554119	Metal contact (CA-31)	MR-50LMH	1	
86	74554129	Shield cable (CA-32)	0.2 mm ² x 10 ^P x 3.1 m	1	
87	74554116 (74521818)	Metal contact (CA-32)	MR-20LFH	1	
88	74554139	Cable (TM-4)	VCT 0.75 mm ² x 20 ^C x 14.5 m	1	
89	74554238 (74521829)	Connector (TM-4)	206305-1	1	
90	74554239 (74306825)	Pin (TM-4)	66099-2	20	
91	74554240 (74521922)	Cable clamp (TM-4)	206512-1	1	
92	74554253 (36333722)	Flexible tube (TM-4)	PF-25 4 m	1	
93	74554254	Metal contact (TM-4)	CSC-25	1	
94	74554257	Cap (TM-4)	KC-V-2001	1	
95	74554258 (74307821)	Band (TM-4)	CV-150	2	
96	74554140	Cable (TM-5)	VCT 0.75 mm ² x 14 ^C x 14.5 m	1	
97	74554237 (74177522)	Connector (TM-5)	206044-1	1	
98	74554239 (74306825)	Pin (TM-5)	66099-2	14	

Unit No. 11
Electric (II)

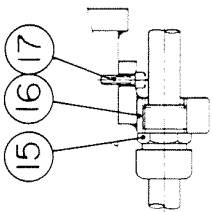
Index No.	Parts No.	Parts Name	Drawing No. or Type	Q'ty	Note
99	74554241 (74177733)	Cable clamp (TM-5)	206322-1	1	
100	74554253 (36333722)	Flexible tube (TM-5)	PF-25 4 m	1	
101	74554254	Metal contact (TM-5)	CSC-25	1	
102	74554257	Cap (TM-5)	KC-V-2001	1	
103	74554258 (74307821)	Band (TM-5)	CV-150	2	
104	74554147	Cable (TM-6)	KIV 0.75 mm ² x 10 m blue	14	
105	74554236 (74177520)	Connector (TM-6)	206037-1	1	
106	74554064	Socket (TM-6)	66101-2	14	
107	74554237 (74177522)	Connector (TM-6)	206044-1	1	
108	74554239 (74306825)	Pin (TM-6)	66099-2	14	
109	74554241 (74177733)	Clamp (TM-6)	206322-1	2	
110	74554162	P.V.C. tube (TM-6)	10/16 x 10 m	1	
111	74554131	Shield cable (TM-8)	0.75 mm ² x 2 ^C x 12.5 m	1	
112	74554262	Metal contact (TM-8)	MS3106B-18-20S	1	
113	74554141	Cable (TM-9)	VCT 0.75 mm ² x 26 ^C x 12.1 m	1	
114	74554263	Metal contact (TM-9)	MS3106B-28-12P	1	
115	74554264	Clamp (TM-9)	MS3057-16A	1	
116	74554238 (74521829)	Connector (TM-9)	206305-1	1	
117	74554239 (74306825)	Pin (TM-9)	66099-2	26	
118	74554240 (74521922)	Cable clamp (TM-9)	206512-1	1	
119	74554143	Cable (TM-51)	VCT 2 mm ² x 4 ^C x 14.5 m	1	
120	74554252	Flexible tube (TM-51)	PF-15 4 m	1	
121	74554255	Metal contact (TM-51)	CSC-15	1	
122	74554267	Metal contact (TM-51)	NCS254-AdF	1	~ser. No. C67519
123	74554268	Metal contact (TM-51)	NCS254-PM	1	
124	74554256	Cap (TM-51)	KC-V-1501	1	
125	74554258 (74307821)	Band (TM-51)	CV-150	2	
126	74554147	Cable (TM-1, 2, 3, 0-1 (2))	KIV 0.75 mm ² x 10 m blue	148	
127	74554163	P.V.C. tube (TM-1, 2, 3, 0-1 (2))	16/16 (φ25) x 10 m	4	
128	74554142	Cable (TO-3, 4)	VCT 0.75 mm ² x 14 ^C x 10 m	1	
129	74554246	Connector (TO-3, 4)	1-480704-0 6 ^P white	1	
130	74554247	Connector (TO-3, 4)	1-480706-2 9 ^P red	1	
131	74554248	Pin (TO-3, 4)	350547-1	14	
132	74554144	Cable (for press motor)	VCT 5.5 mm ² x 11 m	1	
133	74554148	Cable (TM-52)	2 PNCT 38 mm ² x 4 ^C x 11 m	1	
134	74554154	Lug terminal (TM-52)	R38-10	4	
135	74554155	Lug terminal (TM-52)	R38-S8	4	
136	74554149	Cable (for ground)	2 PNCT-B 38 mm ² x 18 m	2	
137	74554157	Lug terminal	R38-8	2	
138	74554156	Lug terminal	R38-6	2	~ser. No. C67504

Unit No.12
Work cable

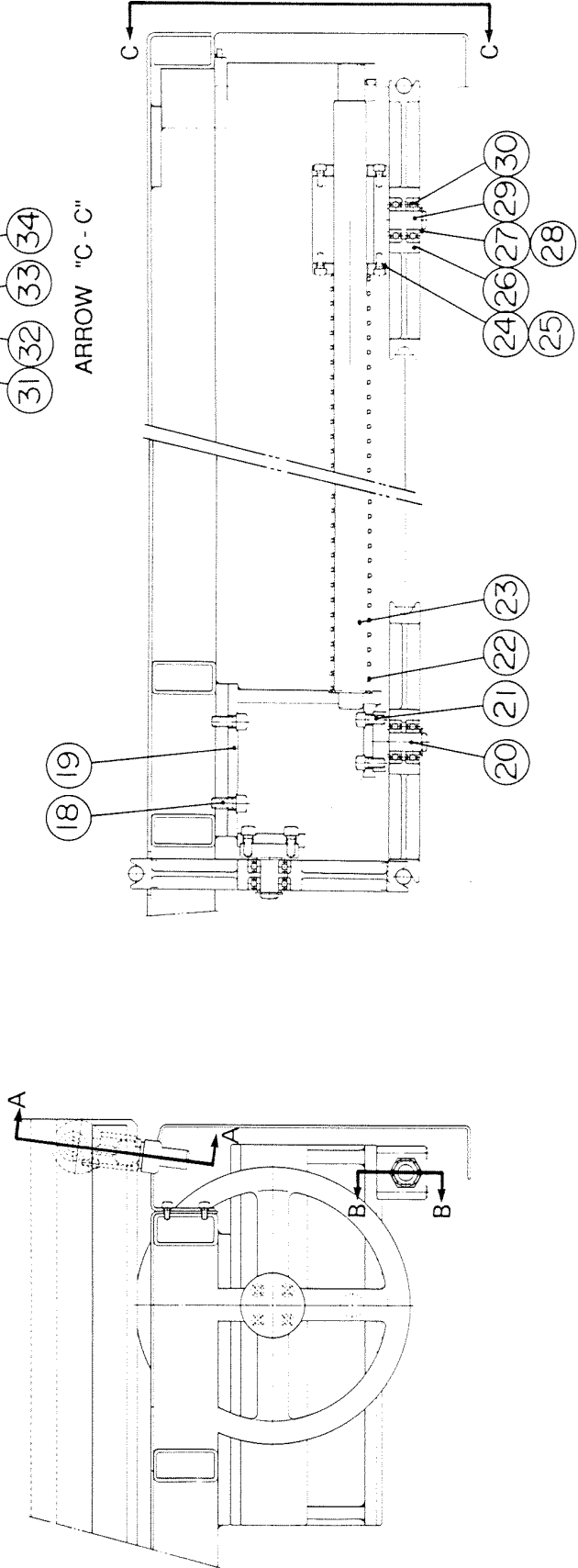
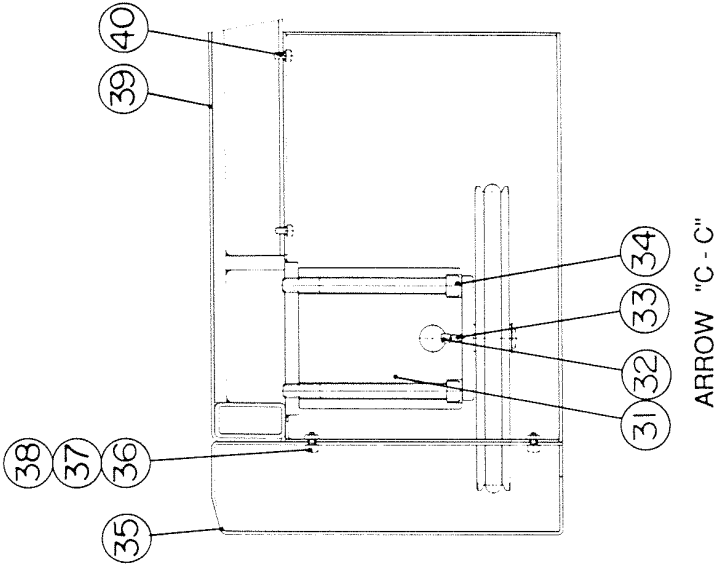
To serial No.C67587 and before.



SECTION "A - A"



SECTION "B - B"



Index No.	Parts No.	Parts Name	Drawing No. or Type	Q'ty	Note
1	74554801	Work cable ass'y	5594230a	1	
2	74554838	Hinge block	5594199	1	
3	74554837	Washer	6013292	1	
4	10568321	Cap screw	M12 x 65	1	
5	74554836	Hinge collar	5594198	1	
6	74554842	Tension block	5594232b	1	
7	74302812	Cap screw	M6 x 10	1	
8	74304905	Cap screw	M6 x 35	2	
9	74554858	Connector	YS-17	1	
10	74554855	Cable	5594233	2	
11	74553820	Lug terminal	DST-R38-10	2	
12	74554860	Lug terminal	DST-R38-S6	2	
13	74554862 (36004602)	Single saddle	CH-9	3	
14	74302810	Cap screw	M5 x 10	3	
15	74554858	Connector	YS-17	1	
16	74554845	Cable block	5594231a	1	
17	74302815	Cap screw	M6 x 20	2	
18	38124012	Cap screw	M10 x 25	4	
19	74554804	Pulley bracket	6013281	1	
20	74554807	Fixed pulley shaft	6013282	2	
21	44235241	Cap screw	M8 x 20	8	
22	74554828	Spring	5594265	1	
23	74554818	Ball spline (with key)	6013285	1	
24	74554825	Spline cap	6013288	2	
25	74300604	Cap screw	M6 x 15	8	
26	74554808	Pulley	5594266	3	
27	74554809	Collar	6013290	3	
28	74554812 (52105010)	Snap ring	STW-17	3	
29	74554824	Movable pulley shaft	6013287	1	
30	74554813 (54117930)	Ball bearing	#6203ZZ	6	
31	74554805	Support bracket	6013284	1	
32	74554819	Key	6013286	1	
33	74552013	Set screw (with ball)	M6 x 0.75 x 8	1	
34	44252821	Cap screw	M12 x 140	2	
35	74554848	Side cover	6013296	1	
36	74302812	Cap screw	M6 x 10	10	
37	74309931	Nut	M6	2	
38	10330125	Washer (polish)	M6	2	
39	74354849	Cable cover	6013297	1	
40	74302810	Cap screw	M5 x 10	2	

Unit No.13
Work selector

