

# Vipros 345 Layout Drawings



LAPIS SERVICES  
(219) 464-9131

Amada Support,  
Rebuilds, Sales And  
Fanuc Control Upgrades.

Amada America Inc.  
7025 Firestone Blvd.  
Buena Park CA. 90621  
Phone: (714) 739 2111  
Fax.: (714) 739 4099  
Email [info@amada.com](mailto:info@amada.com)

# Contents

Planning the Location of the Machine ..... 3  
Lifting the Machine ..... 4  
Machine Plan View ..... 5  
Machine Elevation View ..... 6  
Machine End View ..... 7  
Maintenance Areas ..... 8



**LAPIS SERVICES**  
**(219) 464-9131**

**Amada Support,  
Rebuilds, Sales And  
Fanuc Control Upgrades.**

## Planning the Location of the Machine

The following diagrams provide the details for positioning your new machine.

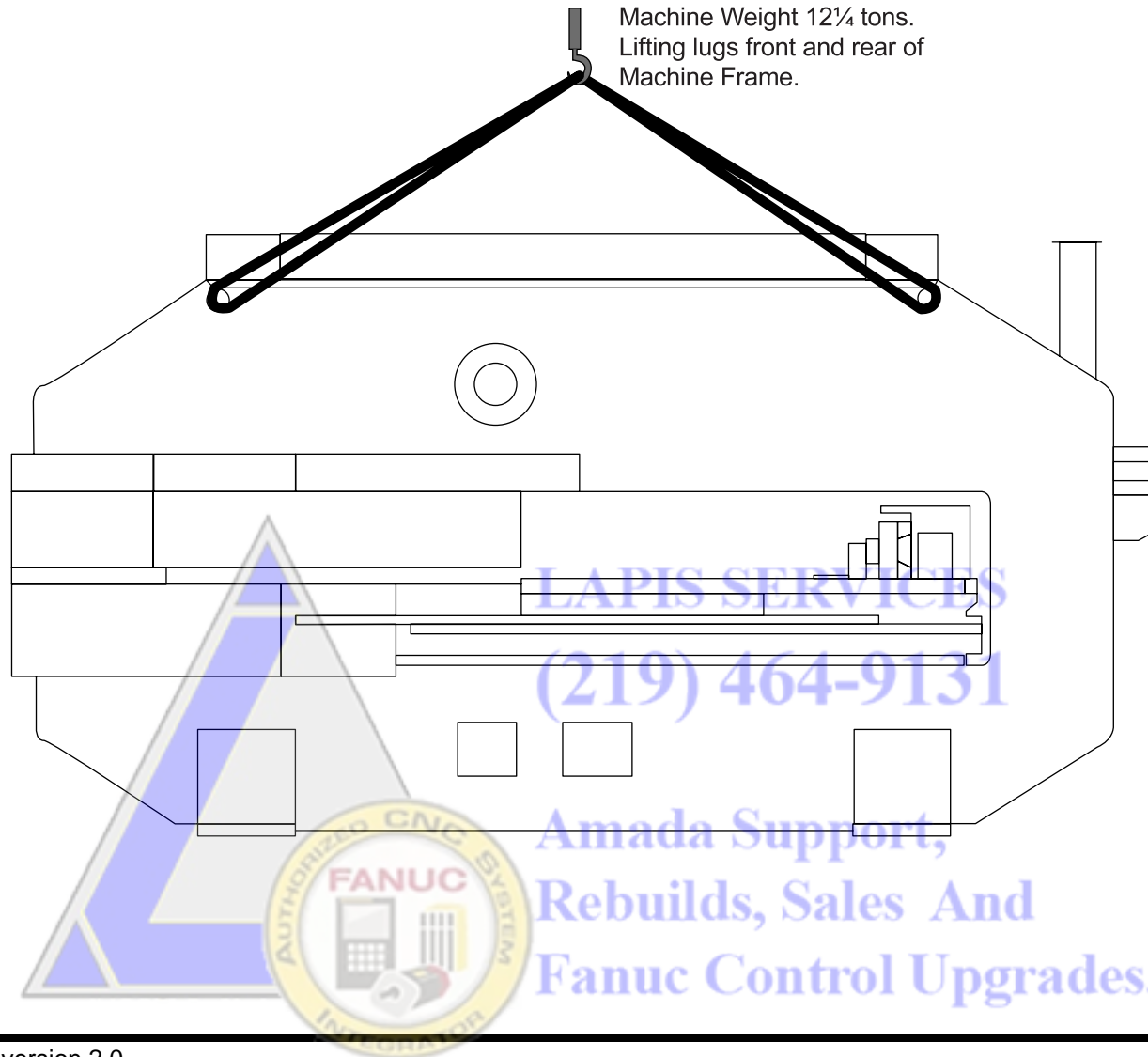
- No obstacles are allowed in the worksheet travel area and the ceiling must be at least 40" above the top of the machine.
- All of the maintenance areas recommended should be used, but you must at least ensure that the doors of the NC unit can be opened.
- The Vipros 345 machine and control must be protected from direct sunlight or other heat sources.
- The positioning of the Chiller is very flexible



**LAPIS SERVICES**  
**(219) 464-9131**

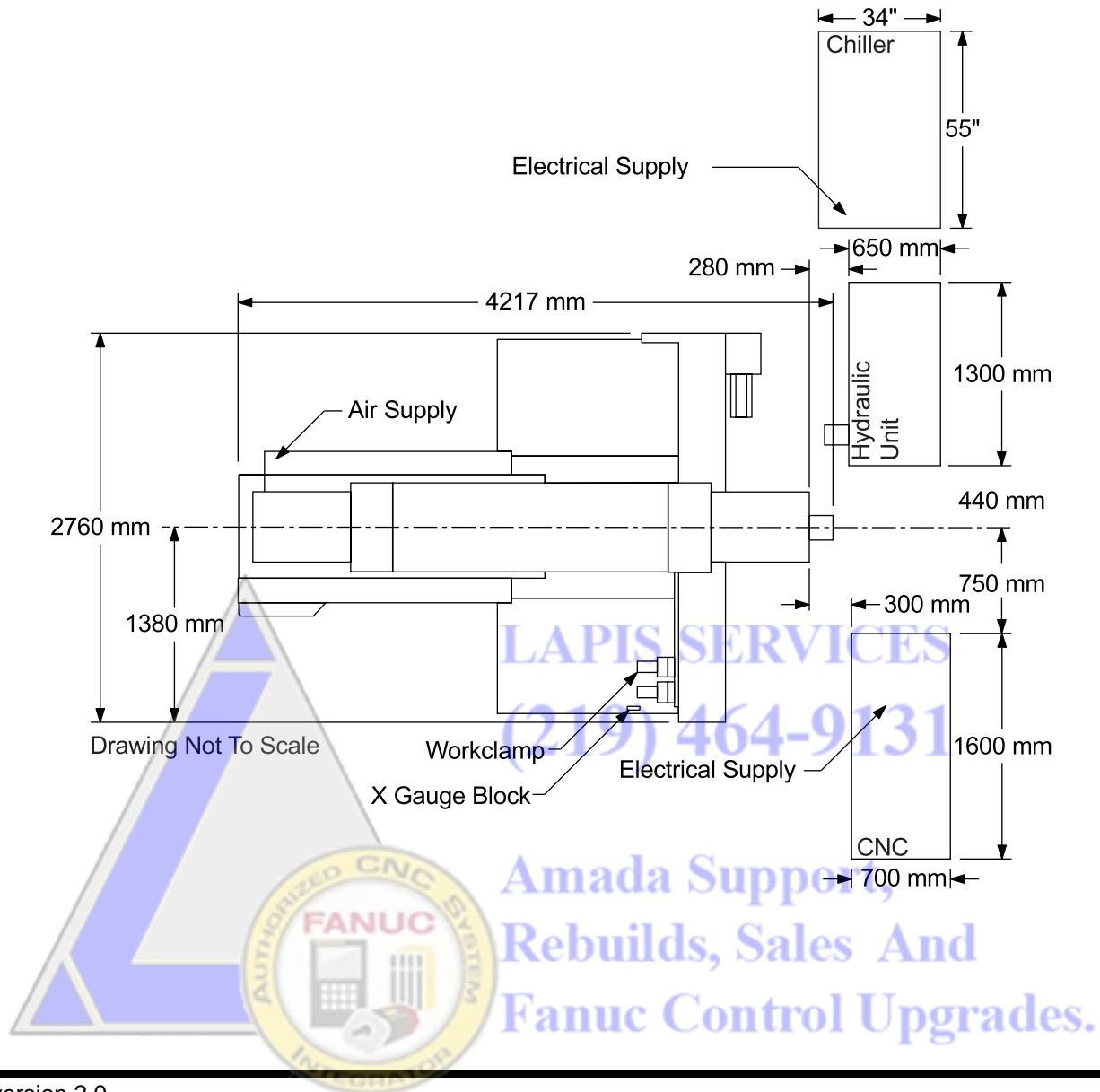
**Amada Support,  
Rebuilds, Sales And  
Fanuc Control Upgrades.**

# Lifting the Machine

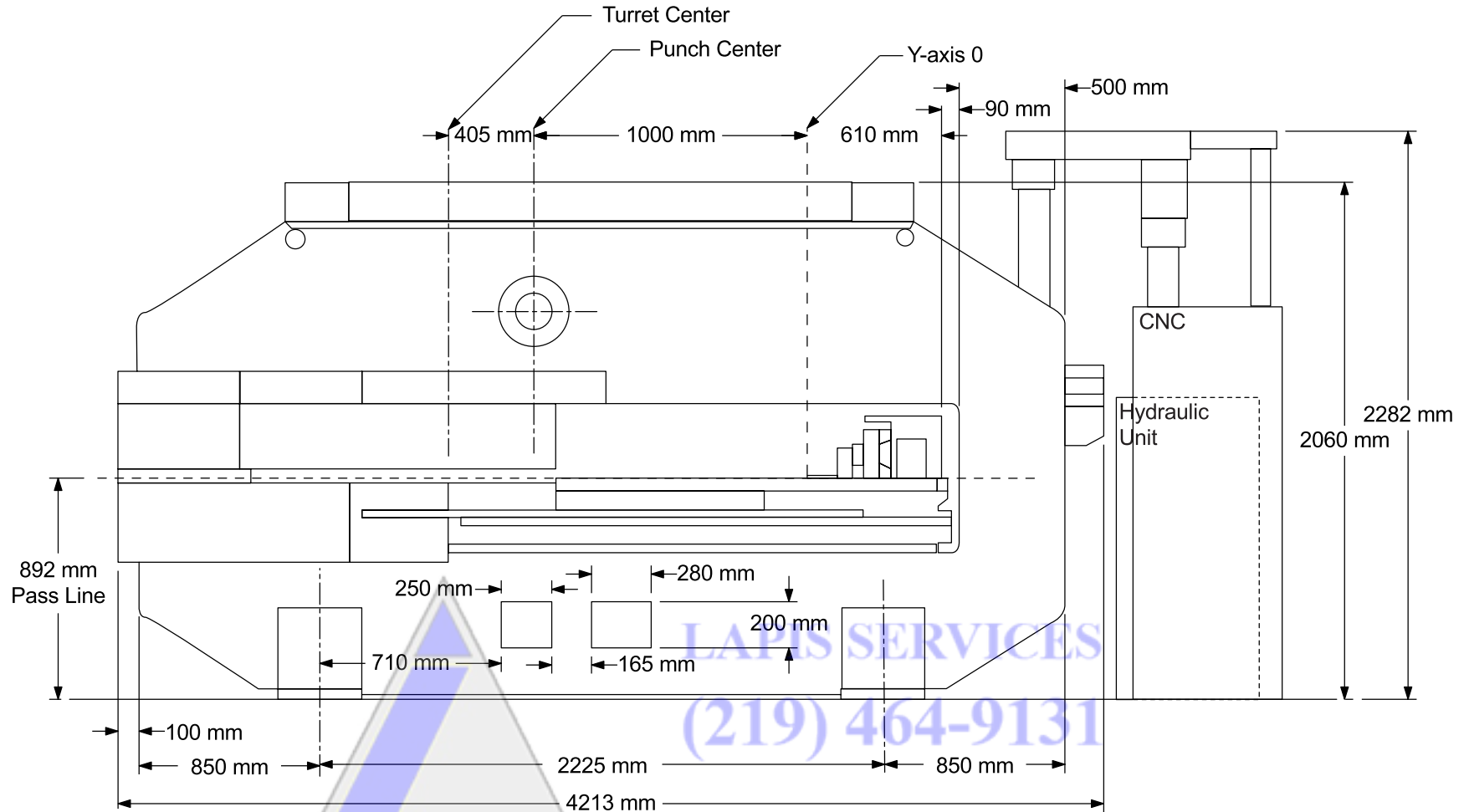


Machine Weight 12¼ tons.  
Lifting lugs front and rear of  
Machine Frame.

# Machine Plan View



# Machine Elevation View

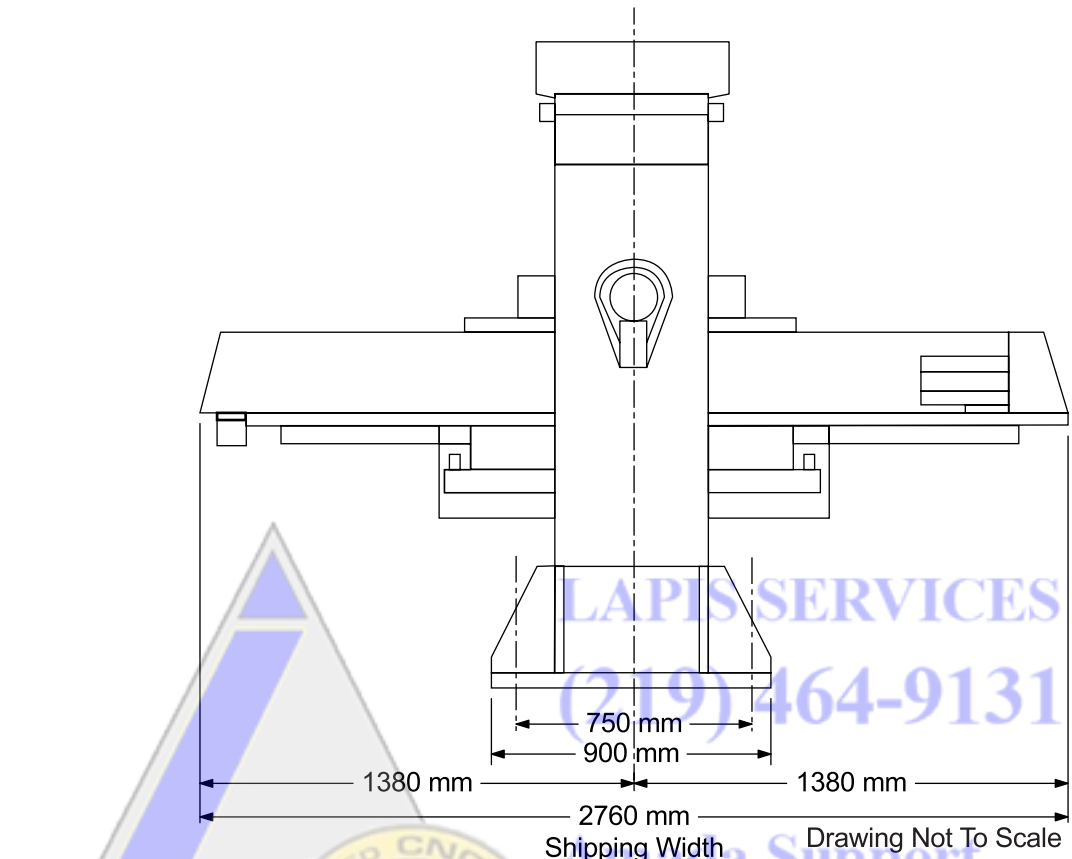


LAPIS SERVICES  
(219) 464-9131



Amada Support, Rebuilds, Sales And Fanuc Control Upgrades.  
Drawing Not To Scale

# Machine End View



LAPIS SERVICES  
(219) 464-9131

Amada Support,  
Rebuilds, Sales And  
Fanuc Control Upgrades.



# Maintenance Areas

