

# Vipros 358 King Layout Drawings



# Contents

Contents .....2

Introduction .....3

Lifting the Machine .....4

Machine Dimensions - Plan View .....5

Machine Dimensions - Elevation View .....6

Machine Dimensions - End View .....7

Maintenance Areas .....8



LAPIS SERVICES  
(219) 464-9131

Amada Support,  
Rebuilds, Sales And  
Fanuc Control Upgrades

## Introduction

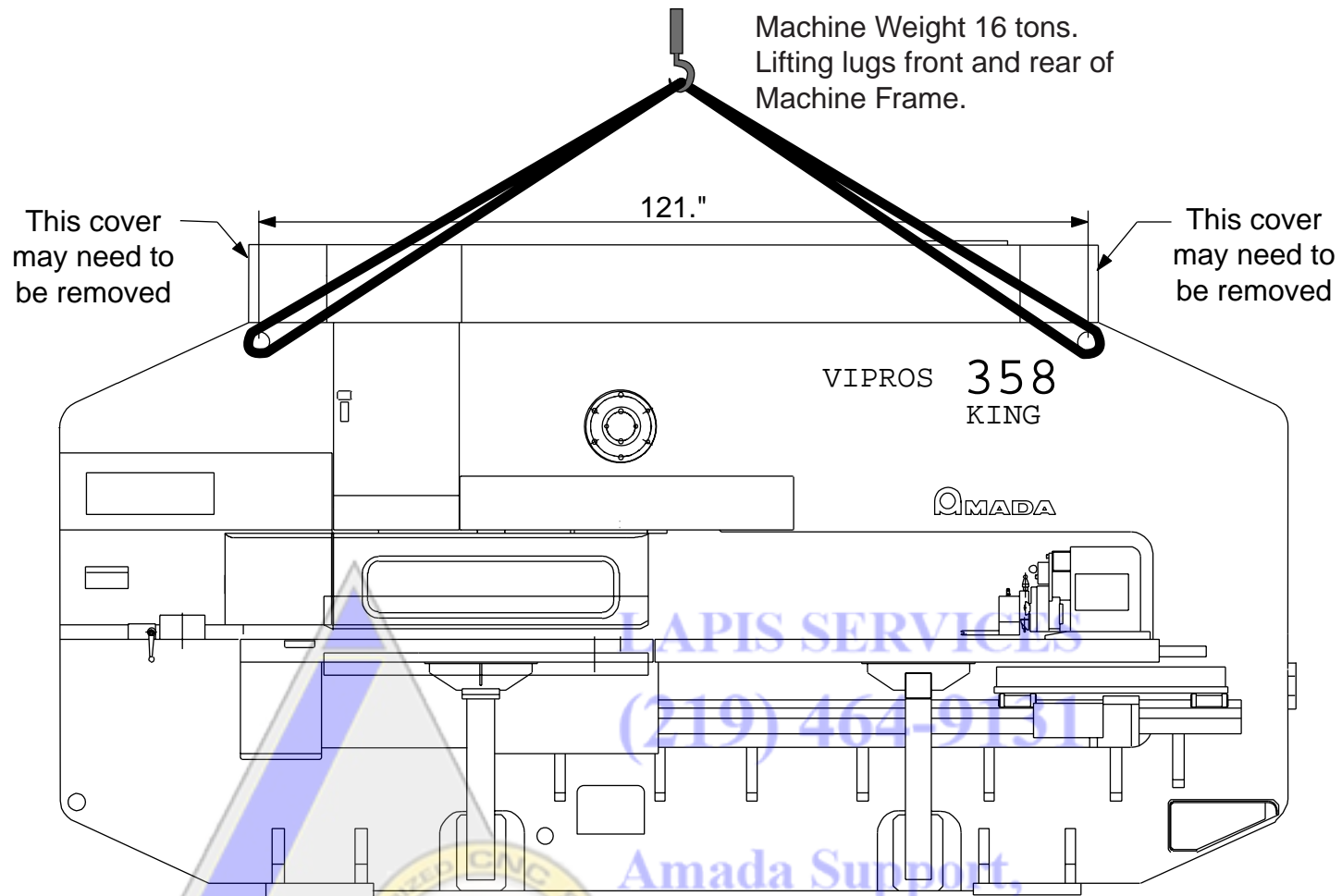
This manual describes the tasks that the purchaser of a Vipros 358 King must complete before calling the service organization to complete the installation and operator training.

An overview of the preparations is as follows:

- Plan the location of the Vipros 358 King in the shop, taking into account all the maintenance areas indicated on the floor plan.
- Prepare the Vipros 358 King floor area as required.
- Uncrate the Vipros 358 King and Fanuc O4PC control and place them on the floor.
- Install the air supply.
- Install the electrical supply.
- Remove the protective coating from the surface of the Vipros 358 King.
- Anchor the Machine to the floor or foundation using the appropriate method described in this document

Note: It is the purchaser's responsibility to install any safety devices to ensure the safety area.

# Lifting the Machine



Machine Weight 16 tons.  
Lifting lugs front and rear of  
Machine Frame.

This cover  
may need to  
be removed

121."

This cover  
may need to  
be removed

VIPROS 358  
KING

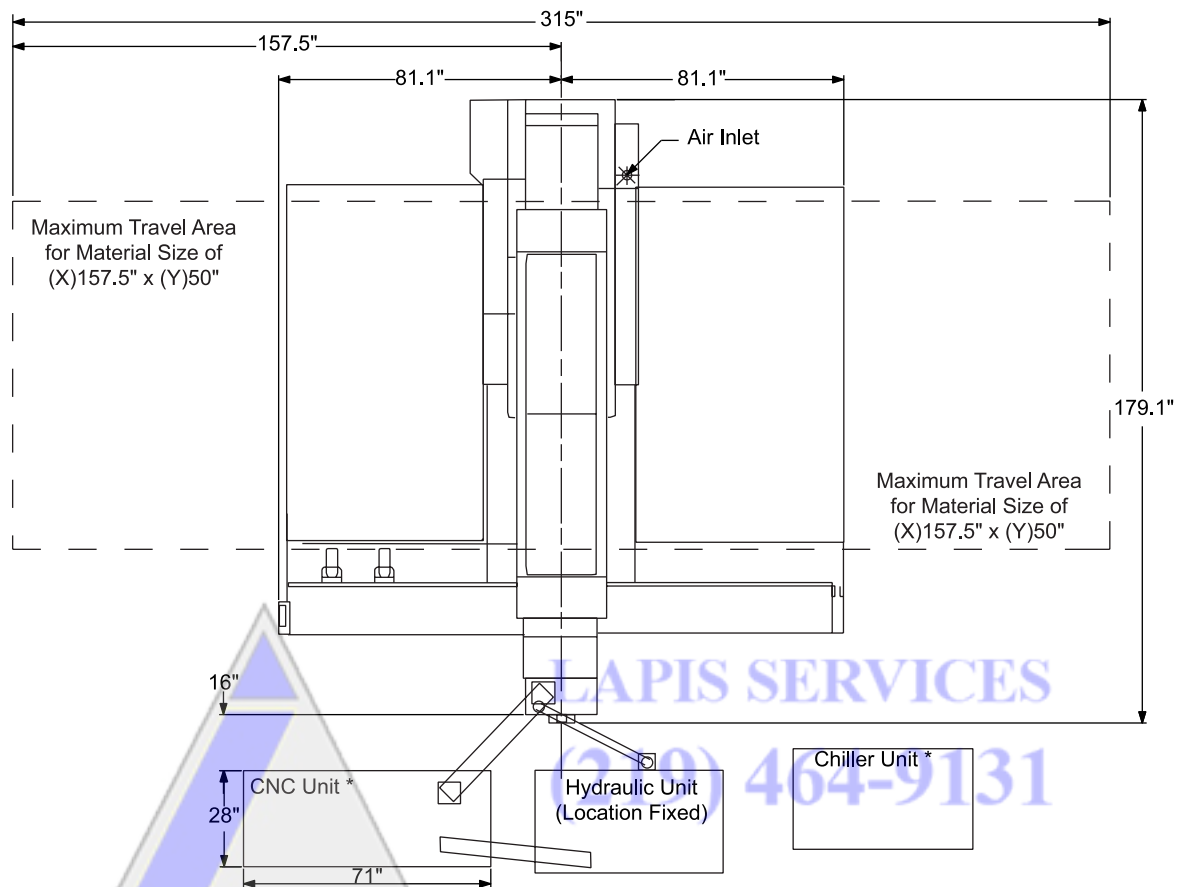
AMADA

LAPIS SERVICES  
(219) 464-9131

Amada Support,  
Rebuilds, Sales And  
Fanuc Control Upgrades.

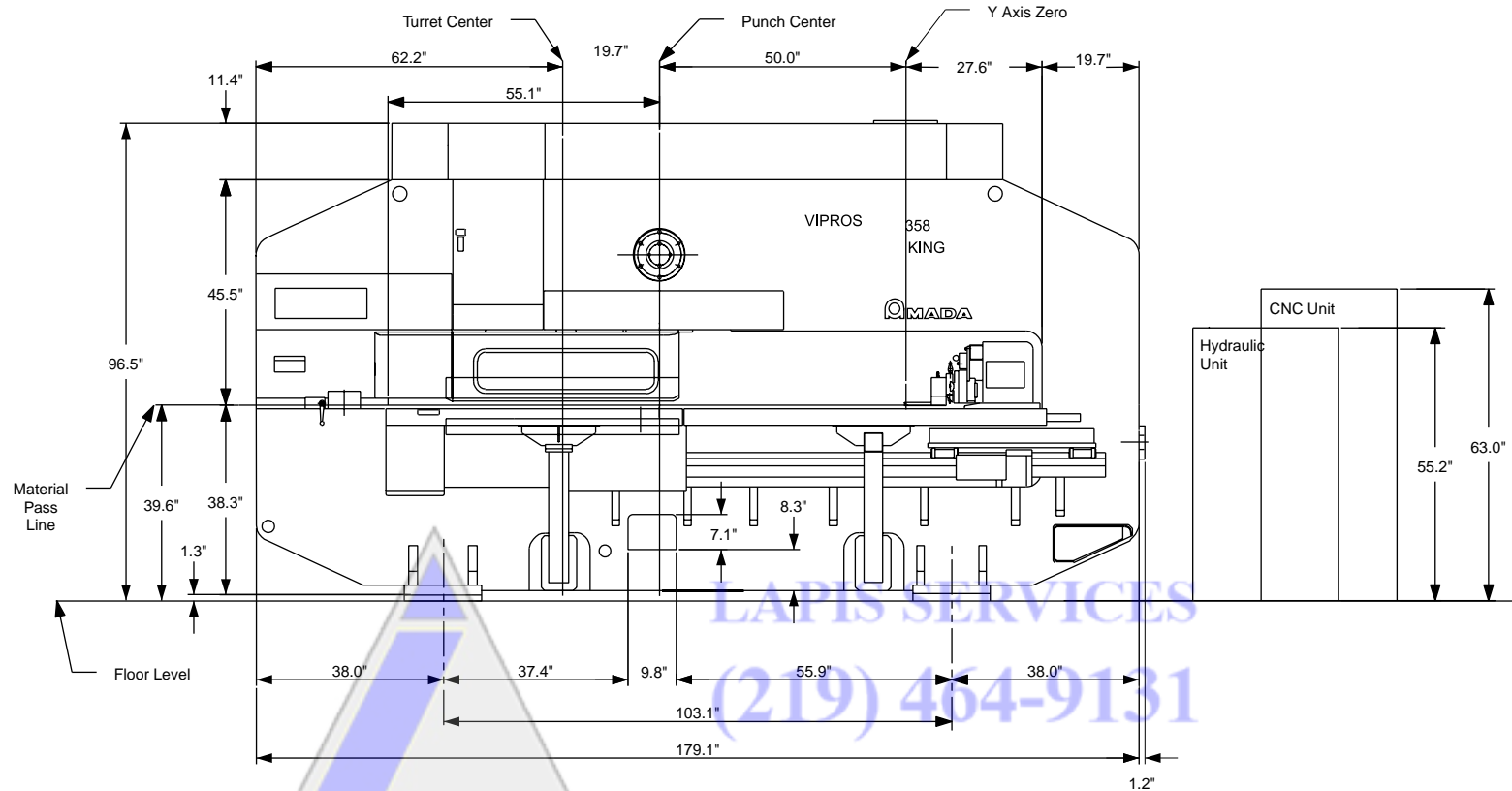


# Machine Dimensions - Plan View

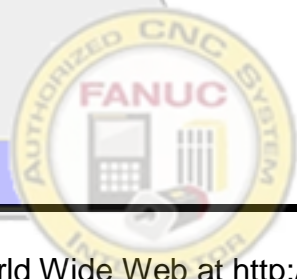


- NOTE 1: Chiller Unit location for reference only.
- NOTE 2: CNC Unit may be rotated 90° CCW from position shown.
- NOTE 3: Shipping width is 11' - 0" (uncrated). It is possible to reduce this width to 10' - 6" by removing brackets on the carriage.

# Machine Dimensions - Elevation View

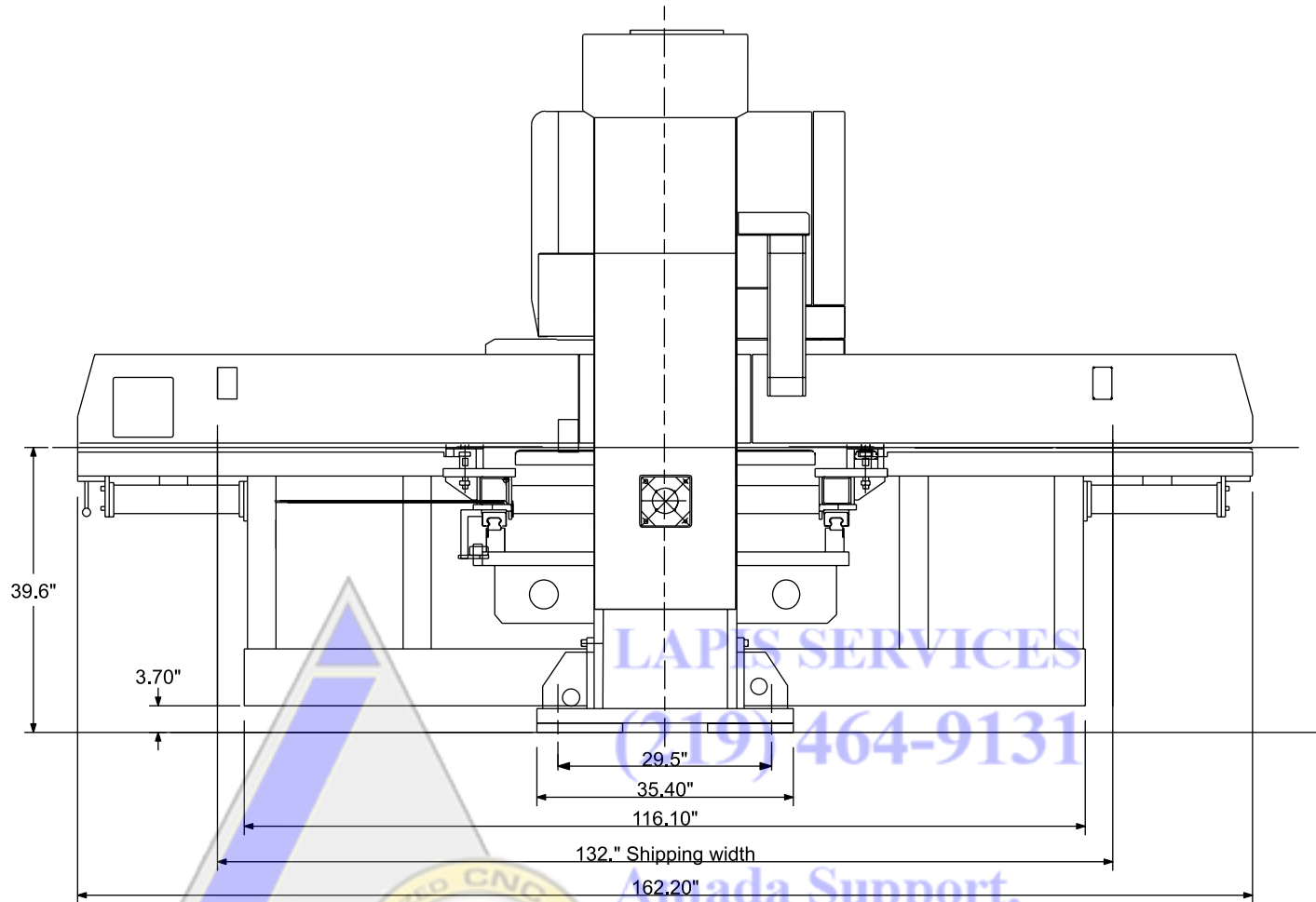


LAPIS SERVICES  
(219) 464-9131

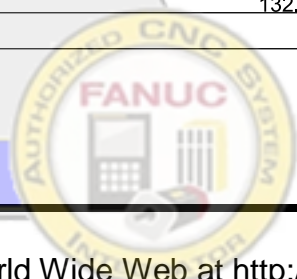


Amada Support,  
Rebuilds, Sales And  
Fanuc Control Upgrades

# Machine Dimensions - End View

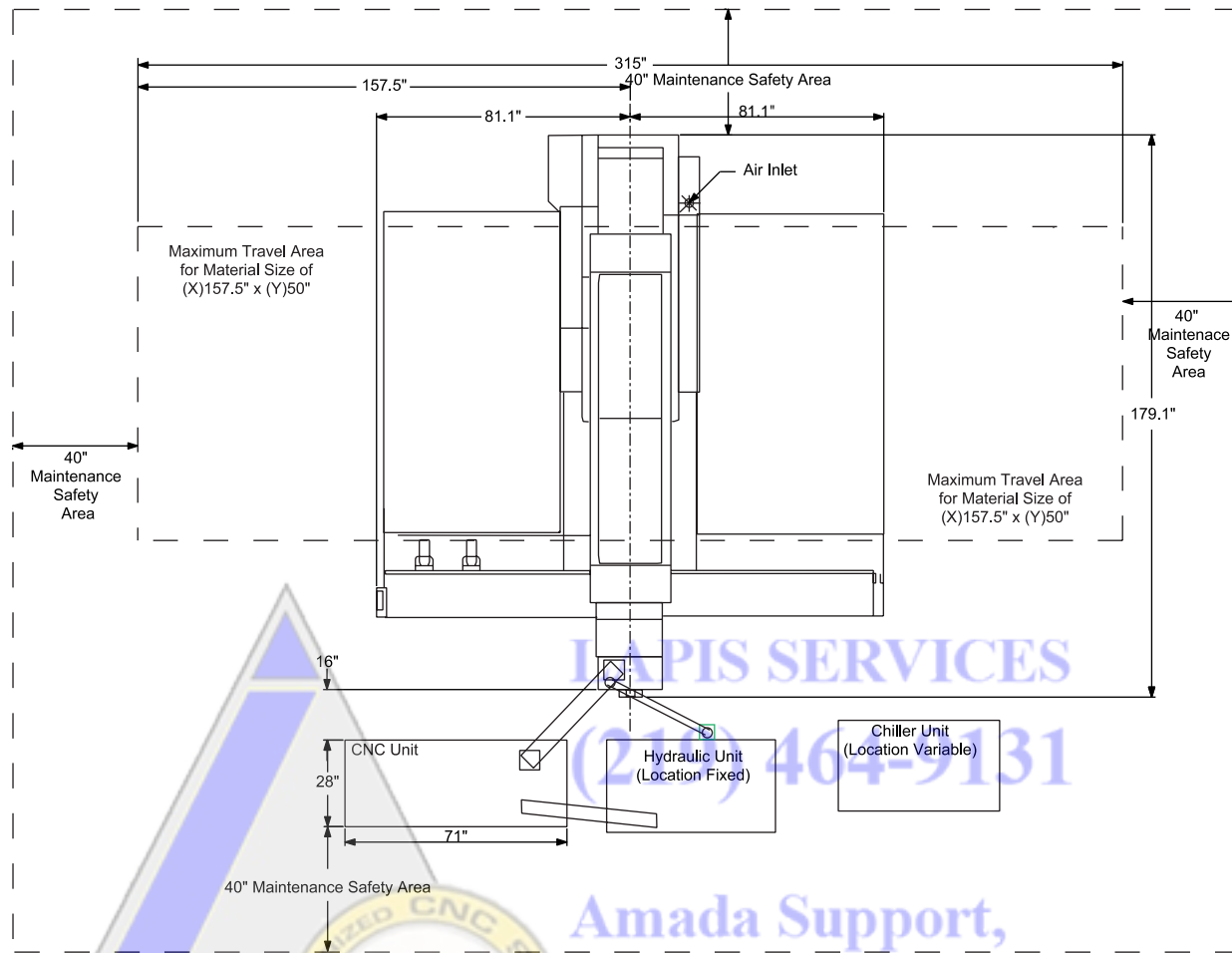


LAPIS SERVICES  
(19) 464-9131



Amada Support,  
Rebuilds, Sales And  
Fanuc Control Upgrades.

# Maintenance Areas



LAPIS SERVICES  
(214) 464-9131

Amada Support,  
Rebuilds, Sales And  
Fanuc Control Upgrades



Amada America Inc.  
7025 Firestone Blvd.  
Buena Park CA. 90621  
Phone: (714) 739 2111  
Fax: (714) 739 4099  
e-mail: [info@amada.com](mailto:info@amada.com)

LAPIS SERVICES  
(219) 464-9131

Amada Support,  
Rebuilds, Sales And  
Fanuc Control Upgrades

