

Vipros 568 Machine Layout Drawings



Amada Support,
Rebuilds, Sales And
Fanuc Control Upgrades.



Amada America Inc.
7025 Firestone Blvd.
Buena Park CA. 90621
Phone: (714) 739 2111
Fax: (714) 739 4099
e-mail: info@amada.com

Contents

Planning the Location of the Vipros 568..... 3

Lifting the Machine 4

Machine Dimensions - Plan View..... 5

Machine Dimensions - Elevation View 6

Machine Dimensions - End View..... 7

Maintenance Areas 8



LAPIS SERVICES
(219) 464-9131

**Amada Support,
Rebuilds, Sales And
Fanuc Control Upgrades.**

Planning the Location of the Vipros 568

The following diagrams provide the details for positioning the Vipros 568.

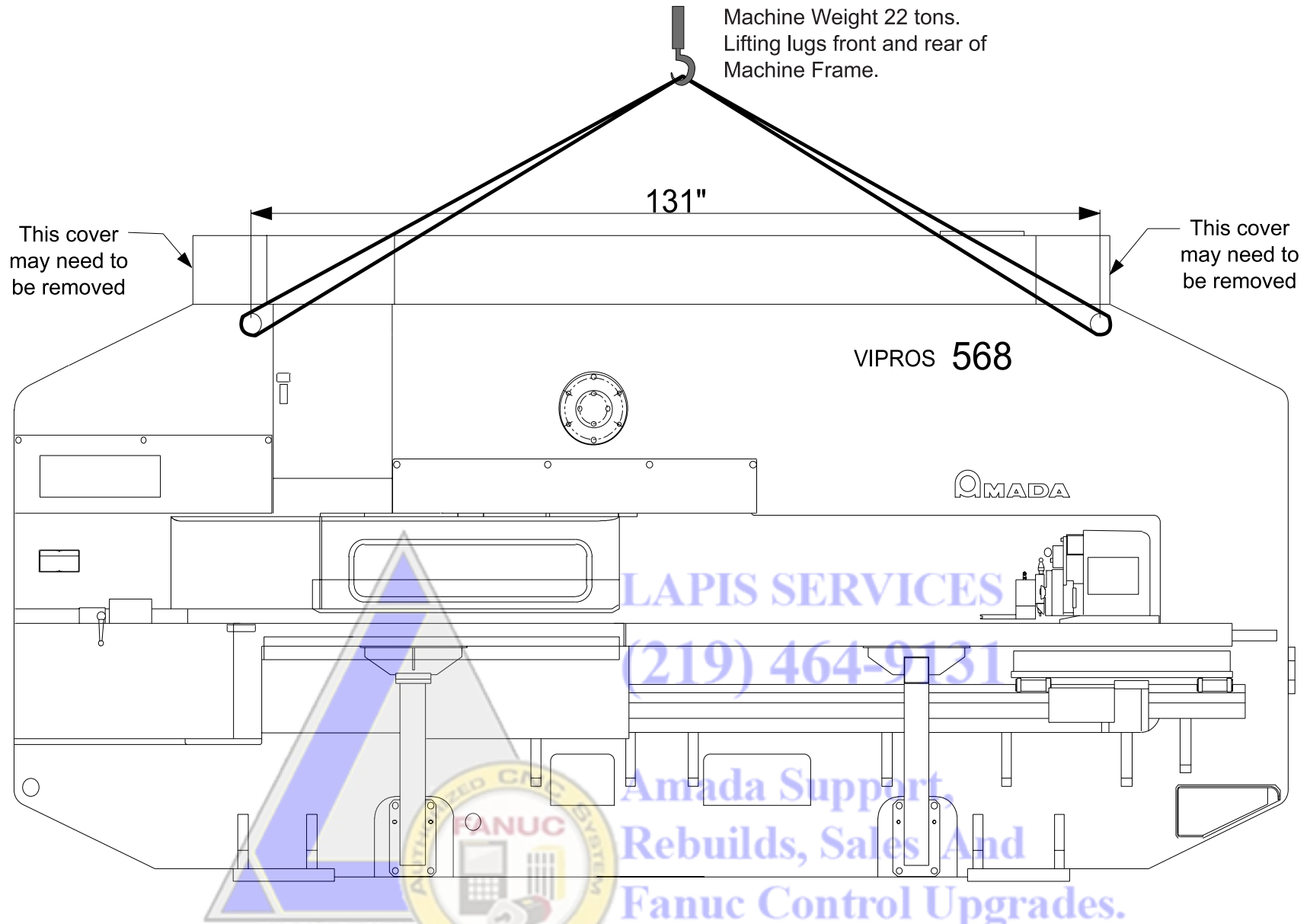
- No obstacles are allowed in the worksheet travel area and the ceiling must be at least 40" above the top of the Vipros 568.
- All of the maintenance safety areas recommended should be used, but at a minimum you must ensure that the doors of the Fanuc O4PC CNC unit can be opened.
- The Vipros 568, Fanuc O4PC control, and SBC-5.5 chiller must be protected from direct sunlight or other heat sources.
- The floor must be of sufficient quality to adequately support the weight of the machine



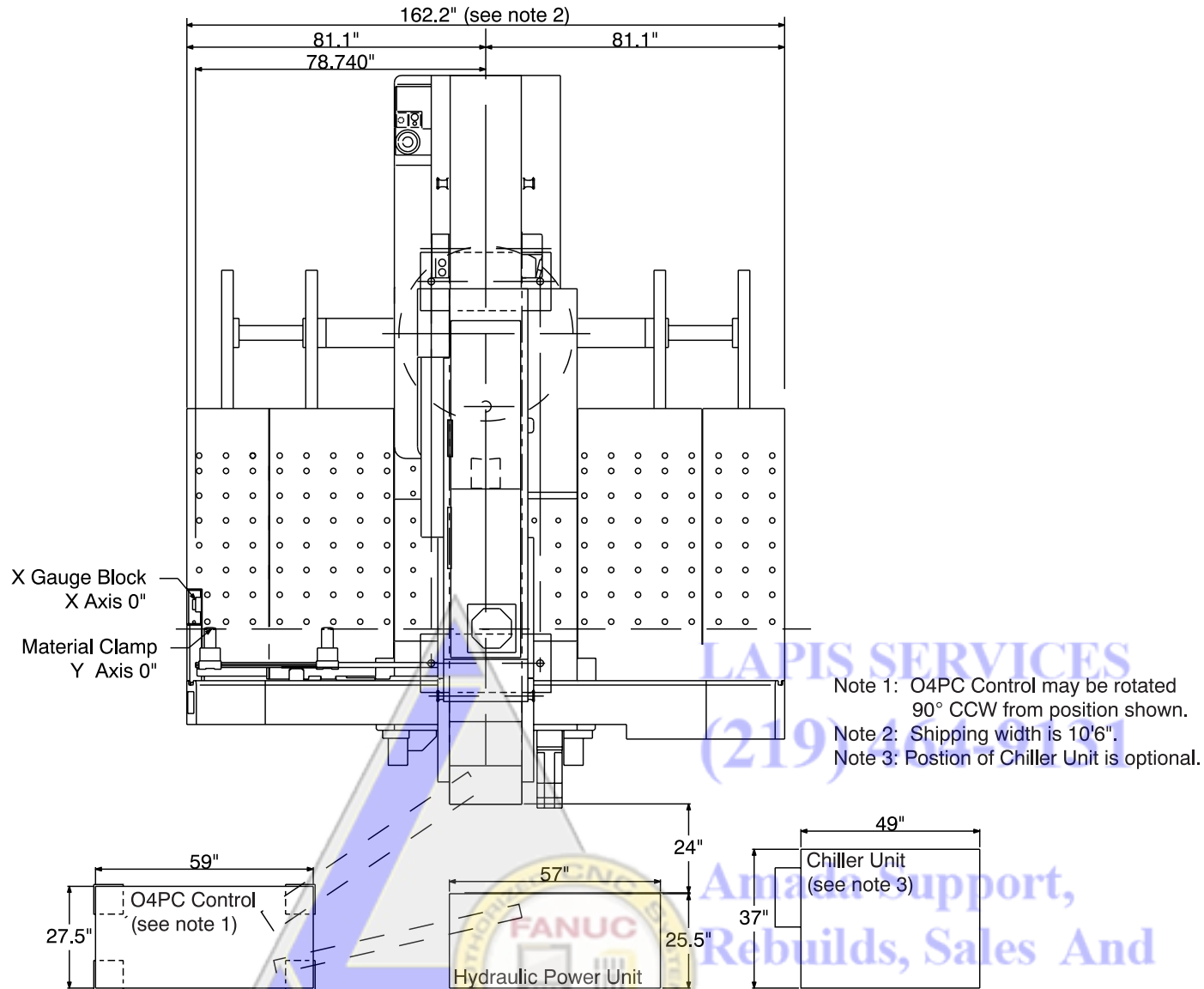
LAPIS SERVICES
(219) 464-9131

**Amada Support,
Rebuilds, Sales And
Fanuc Control Upgrades.**

Lifting the Machine



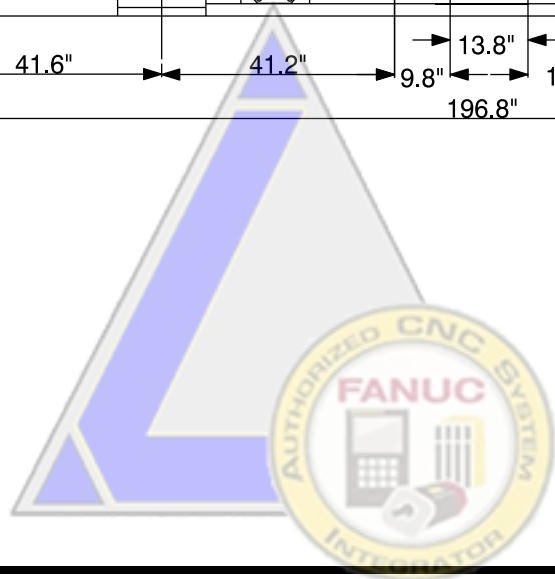
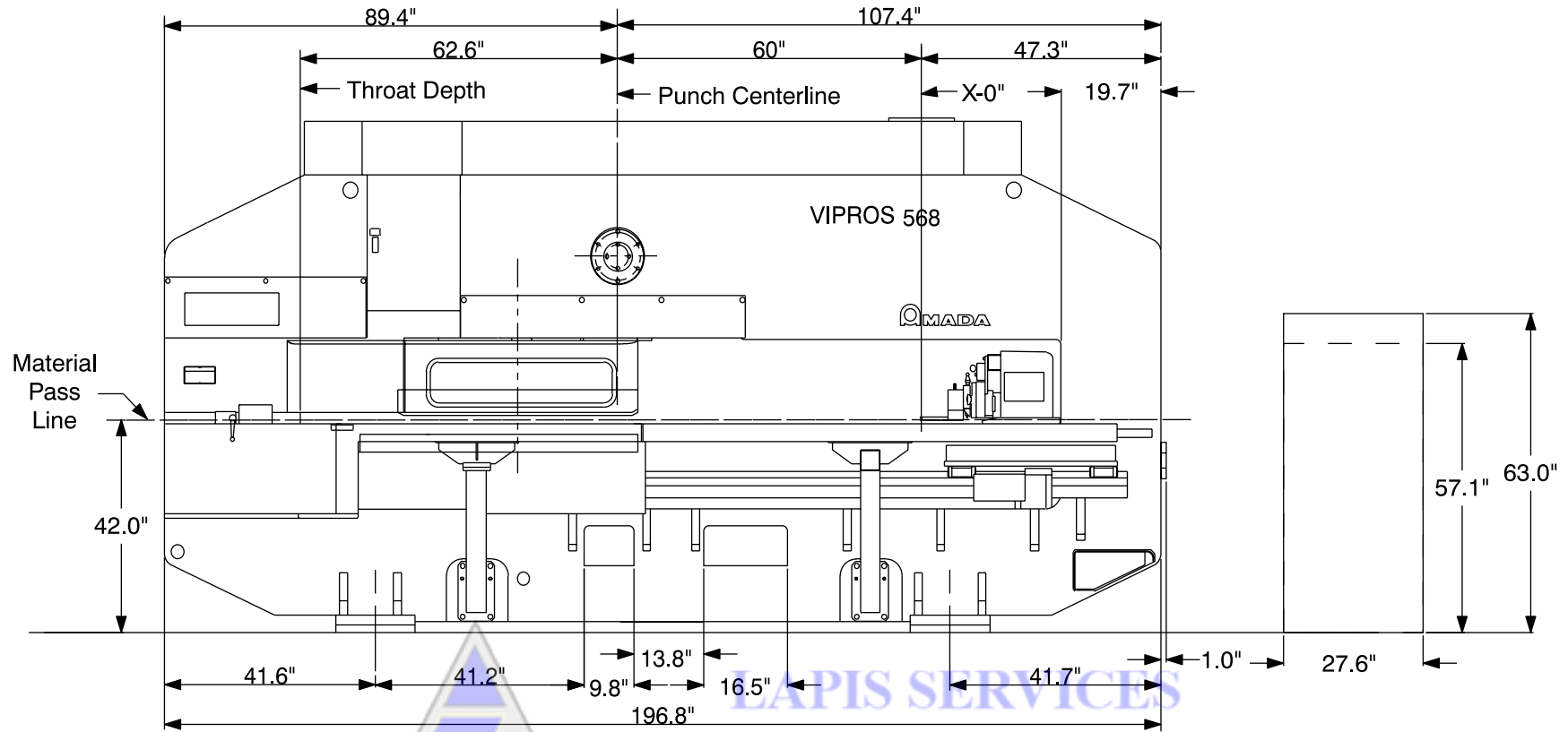
Machine Dimensions - Plan View



- Note 1: O4PC Control may be rotated 90° CCW from position shown.
- Note 2: Shipping width is 10'6".
- Note 3: Position of Chiller Unit is optional.

LAPIS SERVICES
 (219) 333-3333
 Amada Support,
 Rebuilds, Sales And
 Fanuc Control Upgrades.

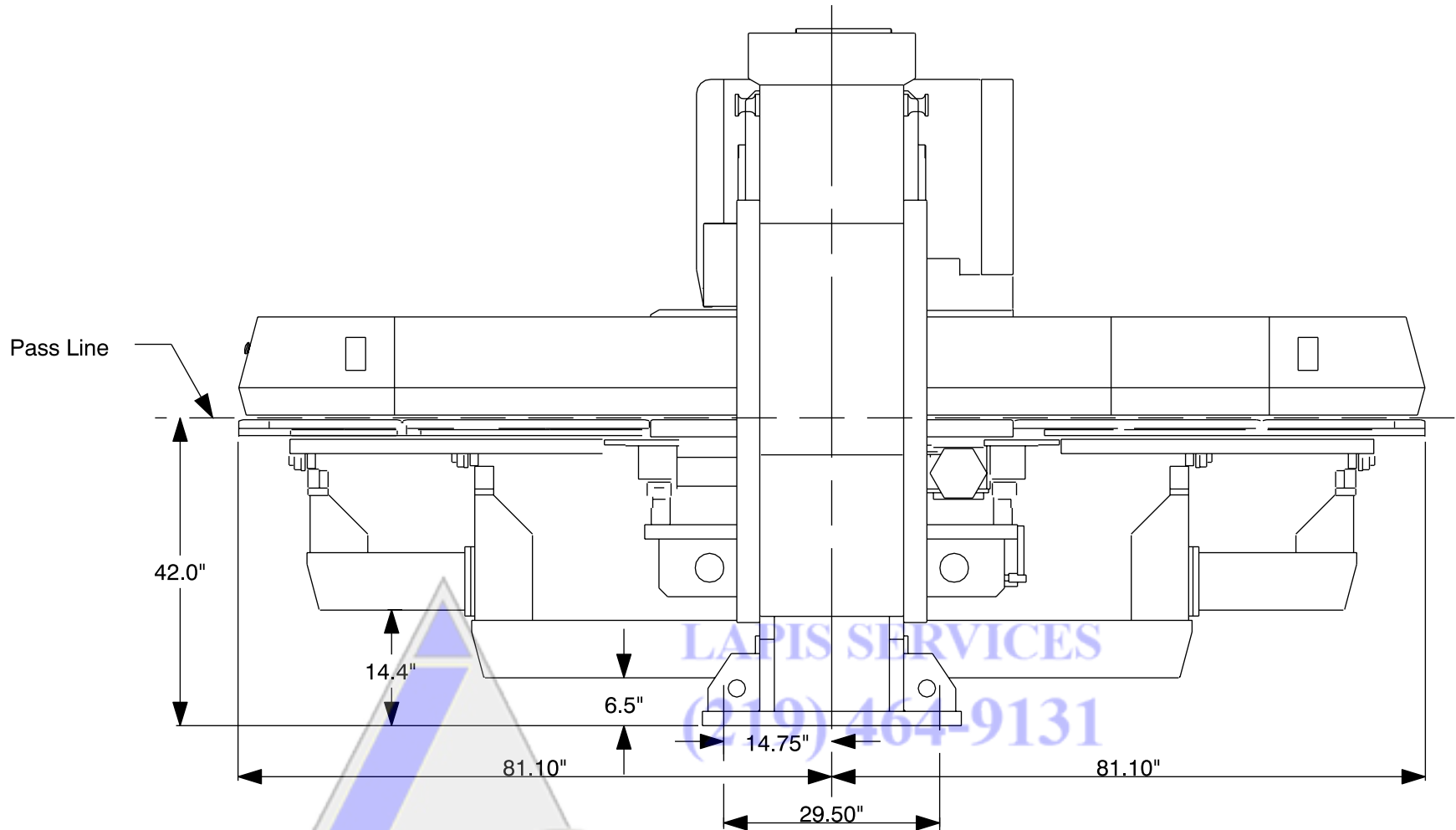
Machine Dimensions - Elevation View



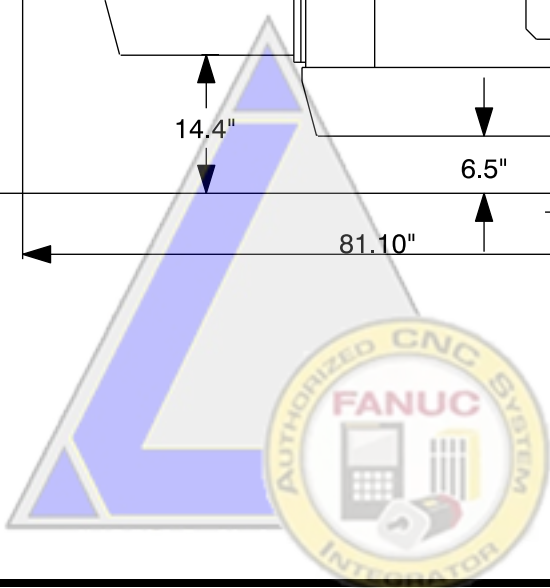
LAPIS SERVICES
(219) 464-9131

Amada Support,
Rebuilds, Sales And
Fanuc Control Upgrades.

Machine Dimensions - End View

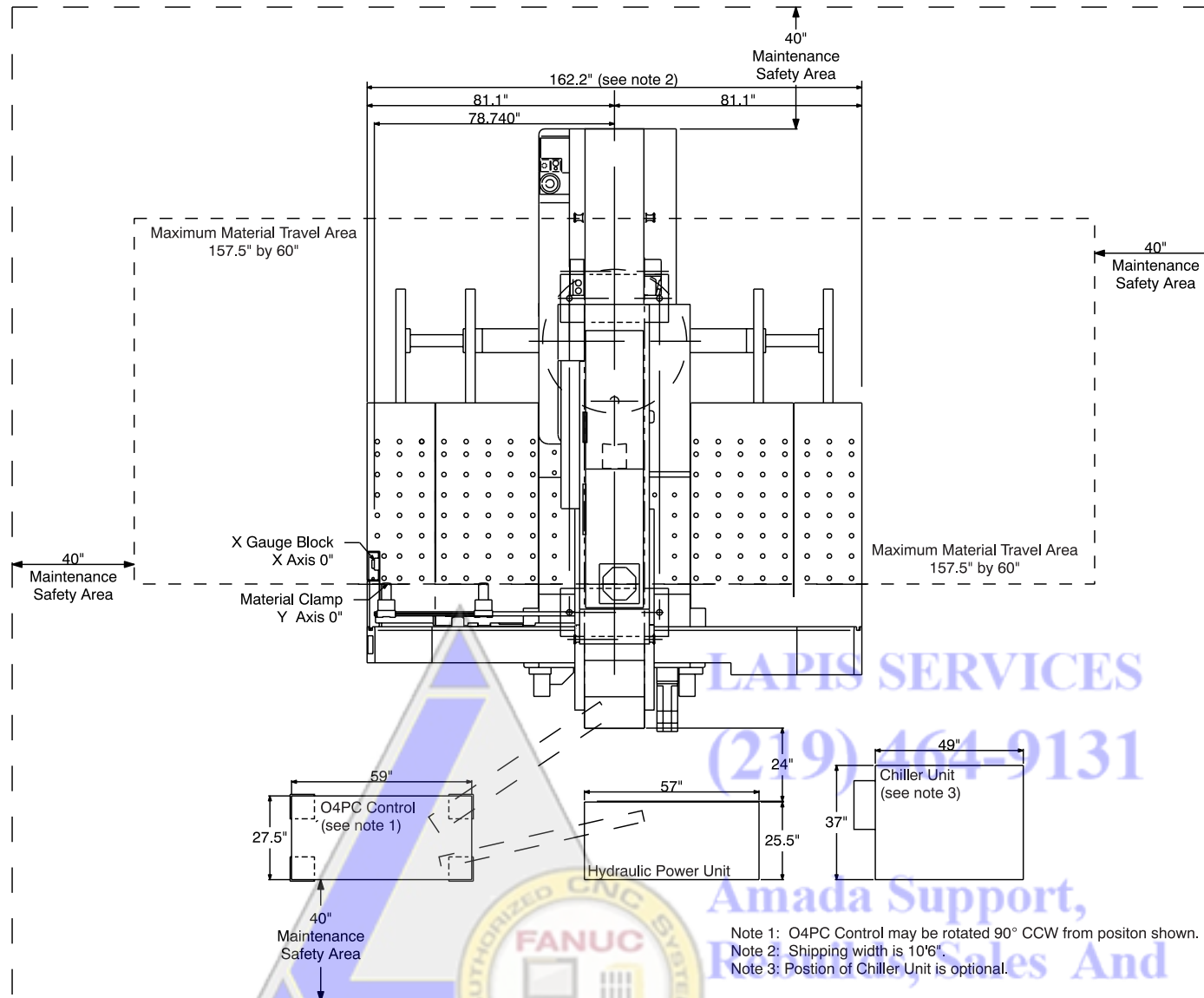


LAPIS SERVICES
(219) 464-9131



Amada Support,
Rebuilds, Sales And
Fanuc Control Upgrades.

Maintenance Areas



LAPIS SERVICES
(219) 464-9131

Amada Support,
Fanuc Control Upgrades.

Note 1: O4PC Control may be rotated 90° CCW from position shown.
Note 2: Shipping width is 10'6".
Note 3: Position of Chiller Unit is optional.

