

Vipros III Z/K 3510 NT with AMNC-F User Pre-installation Guide



LAPIS SERVICES
(214) 464-9131



Amada Support,
Rebuilds, Sales And
Fanuc Control Upgrades.

LAPISINC.COM

Amada America Inc.
7025 Firestone Blvd.
Buena Park CA. 90621
Phone: (714) 739 2111
Fax.: (714) 739 4099
Email info@amada.com

Warning

- ❑ Qualified personnel must complete all work.
- ❑ Do not apply power to the Vipros III Z/K 3510 NT until an Amada Engineer is present and has instructed you to do so.
- ❑ Considerable effort has been made to ensure that this manual is free of inaccuracies and omissions. However, as we are constantly improving our product, some of the data contained herein may be out of date. Please check our Internet site, <http://www.amada.com>, for the latest release of this document.



LAPIS SERVICES
(219) 464-9131

**Amada Support,
Rebuilds, Sales And
Fanuc Control Upgrades.**

LAPISINC.COM

Contents

Introduction.....	5
Motion Package Specifications.....	6
Punching System Specifications	6
58 Station - 4 Auto-Index Turret Configuration.....	7
58 Station - 2 Auto-Index - Z Type Turret Configuration	8
45 Station - 4 Auto-Index - Z Type Turret Configuration	9
AMNC-F Controller	10
Hydraulic Systems Specifications.....	10
Power Hydraulic Numerical Control (P.H.N.C.).....	10
Hydraulic Power Unit.....	10
Electrical Requirements.....	11
Optional Equipment.....	11
Installing the Electrical Power Supply	12
Pneumatic Requirements	13
Optional Equipment.....	13
Installing the Air Supply.....	13
Planning the Location of the Machine	14
Moving the Vipros III Z/K3510NT.....	14
Plan View - Vipros III Z/K3510NT358	15
Plan View - Vipros III Z/K3510NT (shown with MP1225 loader).....	16
Detailed Plan View - Vipros III Z/K3510NT	17
End View – Vipros III Z/K3510NT	18
Elevation View – Vipros III Z/K3510NT.....	19
SBC EX 5.5 Chiller	20
SBC EX 5.5 Cautions.....	20
Chiller Connections.....	21
Chiller Placement.....	21
Foundation Requirements	22
Foundation Anchoring Procedure.....	23

LAPIS SERVICES
(219) 464-9131



Amada Support,
Rebuilds, Sales And
Fanuc Control Upgrades.

LAPISINC.COM

Foundation J-bolt Detail 23

Foundation Plan View 24

Foundation Elevation View..... 24

Machine Anchoring Requirements 25

 Floor J-bolt Hole Detail (saw cut hole) 25

 Floor J-bolt Hole Plan View (saw cut hole)..... 25

 Alternative Floor J-bolt Hole Detail (Core Drill)..... 26

 Alternative Floor J-bolt Hole Plan View (Core Drill)..... 26

 Foundation / Floor J-bolt Mounting Procedure 27

 Alternative Anchoring Method (Drilled Hole with Anchor Rod and Adhesive) 29

 Alternative Anchoring Method Plan View (Drilled Hole with Anchor Rod and Adhesive) 29

 Drilled Hole with Anchor Rod and Adhesive Mounting Procedure 30

Removing the Protective Coating 32

Machine Leveling..... 33

 Rocking Test 34

 Floor Condition: Crowned..... 35

 Floor Condition: Sloped..... 36

 Leveling Procedure 37



LAPIS SERVICES
(219) 464-9131

**Amada Support,
 Rebuilds, Sales And
 Fanuc Control Upgrades.**

LAPISINC.COM

Introduction

This manual describes the tasks that the purchaser of a Vipros III Z/K 3510 NT must complete before calling the service organization to complete the installation and operator training.

An overview of the preparations is as follows:

- Plan the location of the Vipros III Z/K 3510 NT in the shop, taking into account all the maintenance areas indicated on the floor plan. See page 14, *Planning the Location of the Machine*, for details.
- Prepare the Vipros III Z/K 3510 NT floor or foundation as required. See page 22, *Foundation Requirements*, for details.
- For additional information on Scrap Conveyor options, see “Vipros 3510 nt Drawings Rev2.pdf” available at www.amada.com.
- Uncrate the Vipros III Z/K 3510 NT and on the foundation, but do not fill the anchor-bolt holes (if used) until after A.E.S.I. completes the initial installation.
- Install the electrical supply. See page 11, *Electrical Requirements*, for details
- Install the pneumatic supply. See page 13, *Pneumatic Requirements*, for details.
- Remove the protective coating from the surface of the Vipros III Z/K 3510 NT See page 32, *Removing the Protective Coating*, for details.

Note: It is the purchaser’s responsibility to install any safety devices to ensure the safety area.



LAPIS SERVICES
(219) 464-9131

Amada Support,
Rebuilds, Sales And
Fanuc Control Upgrades.

LAPISINC.COM

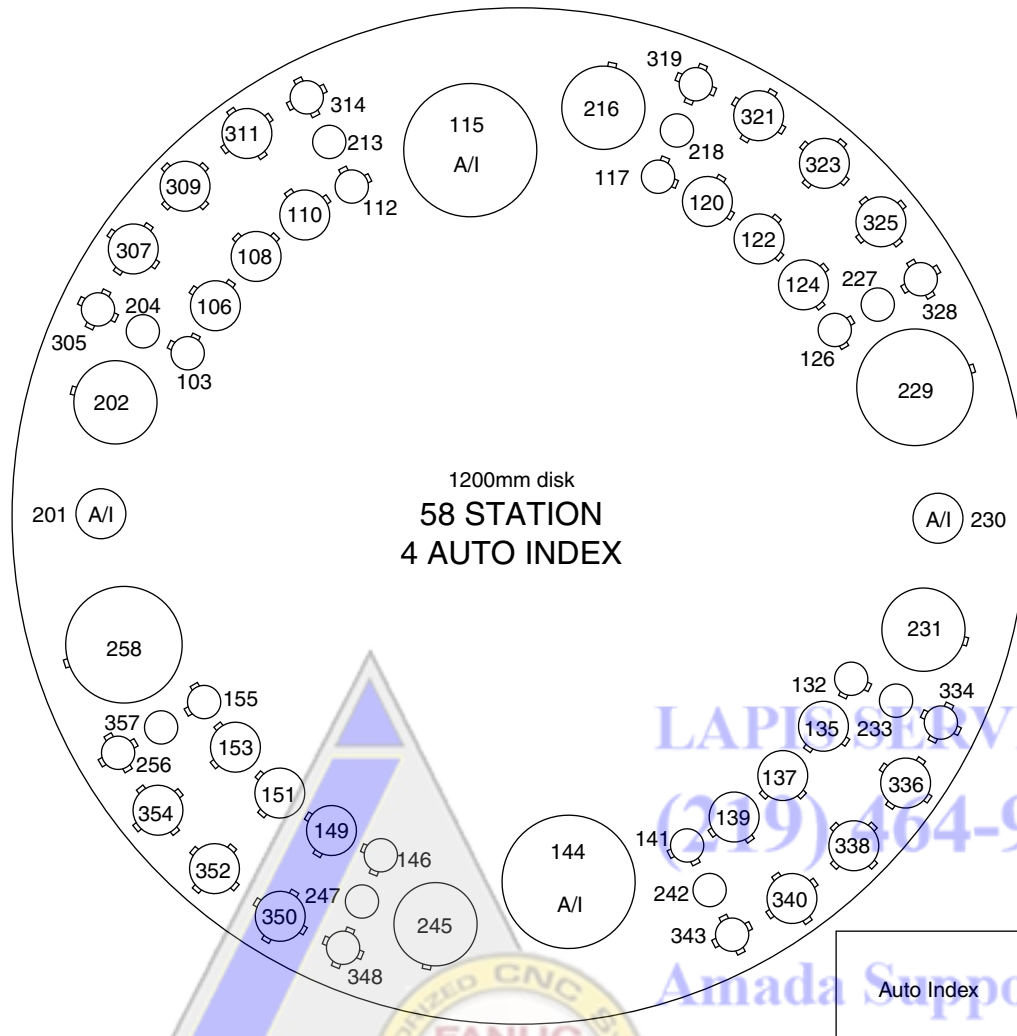
Motion Package Specifications

Travel Method	X and Y axes work piece movement
Control Method	X, Y, T & C
Drive Motors	Fanuc AC Servo (X, Y, T, C)
Maximum Sheet Size	50" (Y) x 196.85" (X) with one repositioning cycle. (Additional material support tables required when processing material over 100" in the X-axis)
Maximum Sheet Thickness	0.135"
Maximum Material Weight	154 lb.
Maximum Axis Travel	98.425" (X) by 50" (Y)
Max. Linear Table Speed (X / Y / Combined)	3934 ipm / 3149 ipm / 5039 ipm
Punching Accuracy	±0.0027"
Positioning Accuracy	±0.001"
Repeatability	±0.001"

Punching System Specifications

Press Capacity	33 Tons		
Press Stroke	1.772"		
Stroke Rate (X/Y)	Pitch	Stroke	Stroke Rate
	0.079"	0.236"	600/510
	1.000"	0.236"	410/320
Maximum Hole Diameter	4.500"		
Tool Type	Amada Thick Turret		
Turret Rotation Speed	33 RPM		
Feed Clearance	0.984"		
Auto Index Rotation Speed	60 RPM		

58 Station - 4 Auto-Index Turret Configuration

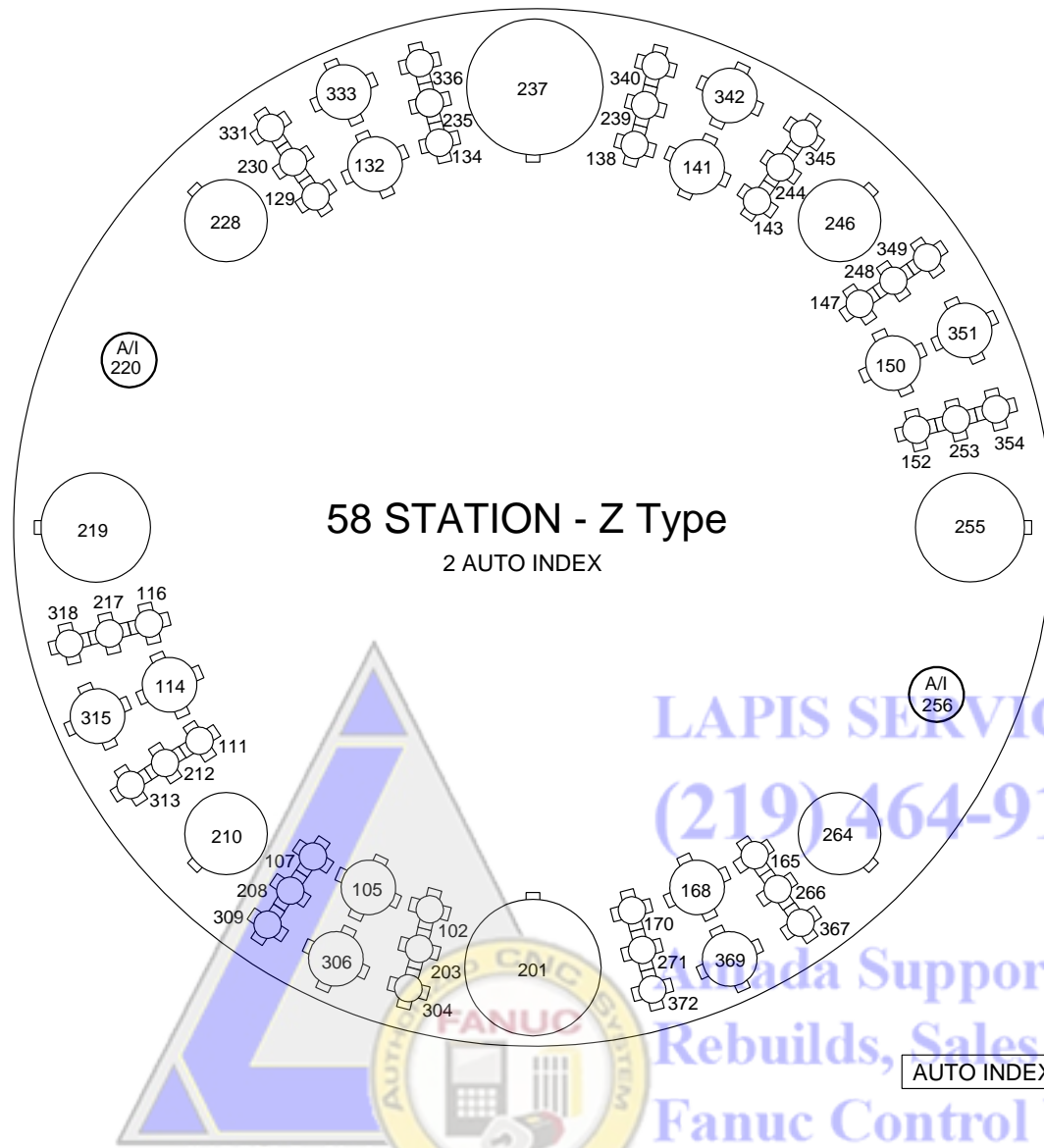


	Maximum Size Round	Number of Stations (Keyed)
A	½" (12.7mm)	24 (16)
B	1¼" (31.7mm)	24 (24)
C	2" (50.8mm)	4 (4)
D	3½" (88.9mm)	2 (2)
B	1¼" (31.7mm)	2 (2)
E	4½" (114.3mm)	2 (2)

Auto Index

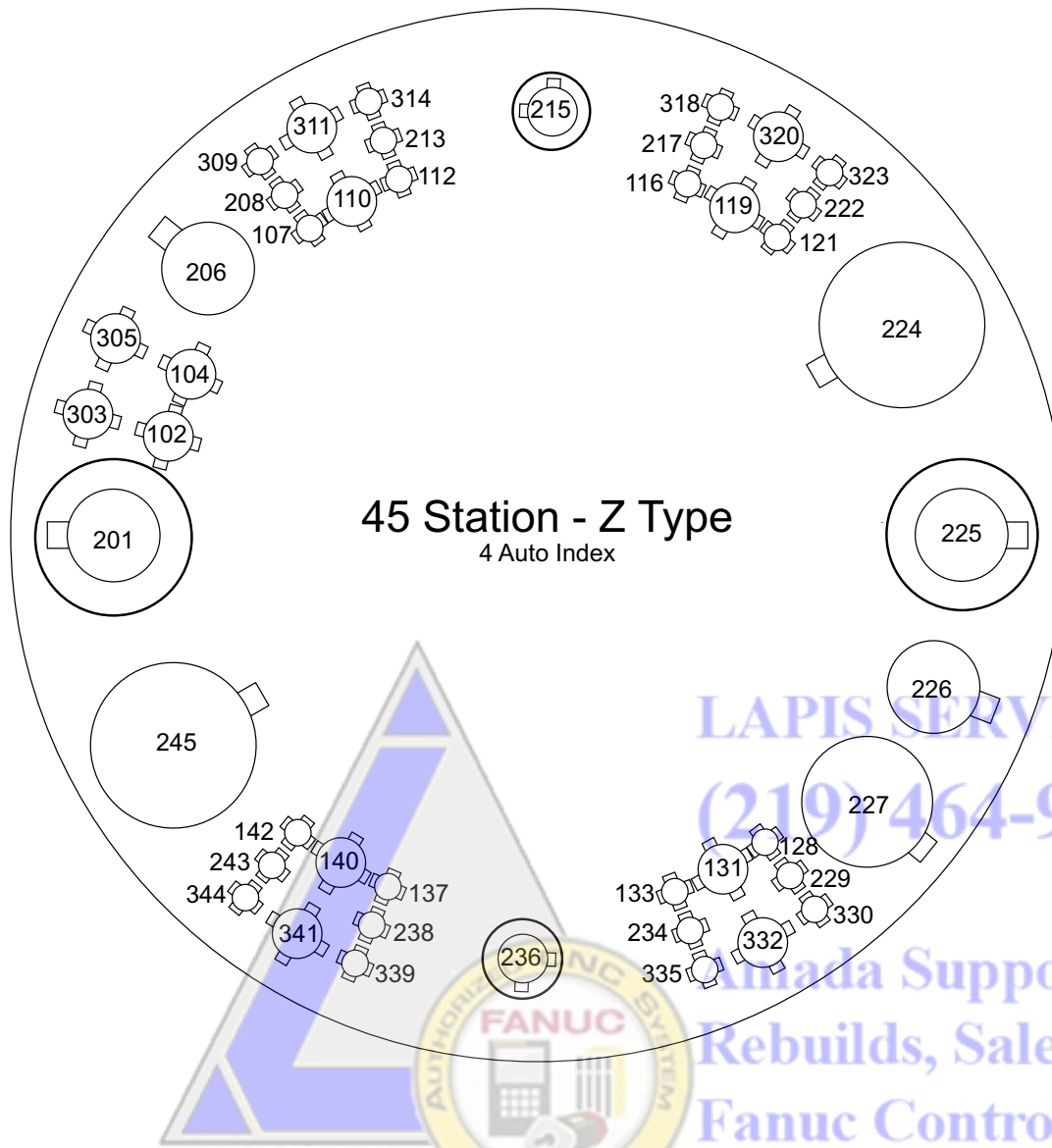
LAPIS SERVICES
 (29) 464-9131
 Amada Support,
 Rebuilds, Sales And
 Fanuc Control Upgrades.
 LAPISINC.COM

58 Station - 2 Auto-Index - Z Type Turret Configuration



	MAXIMUM SIZE ROUND	NUMBER OF STATIONS (KEYED)
A	1/2" (12.7mm)	36 (36)
B	1 1/4" (31.7mm)	12 (12)
C	2" (50.8mm)	4 (4)
D	3 1/2" (88.9mm)	2 (2)
E	4 1/2" (114.3mm)	2 (2)
AUTO INDEX	B 1 1/4" (31.7mm)	2 (2)

45 Station - 4 Auto-Index - Z Type Turret Configuration



	Maximum Size Round		Number Of Stations (Keyed)
A	½"	12.7mm	24 (24)
B	1¼"	31.7mm	12 (12)
C	2"	50.8mm	2 (2)
D	3½"	88.9mm	1 (1)
E	4½"	114.3mm	2 (2)
Auto Index	B	1¼"	2 (2)
	C	2"	2 (2)

AMNC-F Controller

Model	AMNC-F (with PHNC)
Control Function	X, Y, T & C
Input Method	MDI, DNC
Minimum Command Unit	0.001" (X, Y) 0.01 ⁰ (C)
Minimum Travel Unit	0.001" (X, Y) 0.01 ⁰ (C)
Operating Modes	Automatic, MDI & Manual
Display Modes	Program Contents, Position Information, Program Check, Parameters, Tool Hit Counter, Self Diagnostics
Interlock Displays	Oil Temperature, Oil Pressure, Door Open

Hydraulic Systems Specifications

Power Hydraulic Numerical Control (P.H.N.C.)

Ram Cycle Patterns	277 Total Punching 2 Nibbling 1 Forming 250 Marking 10 Knockouts 10 Slitting 4
Minimum Programmable Increment	0.001"

Hydraulic Power Unit

Model	Yuken
Dual Operating Pressure	100 kgf cm ² & 195 kgf cm ²
Oil Type	Mobil DTE [®] Excel 46 (formerly called Mobil Hydraulic Oil NZ 46)
Oil Capacity	40 Gallons

Electrical Requirements

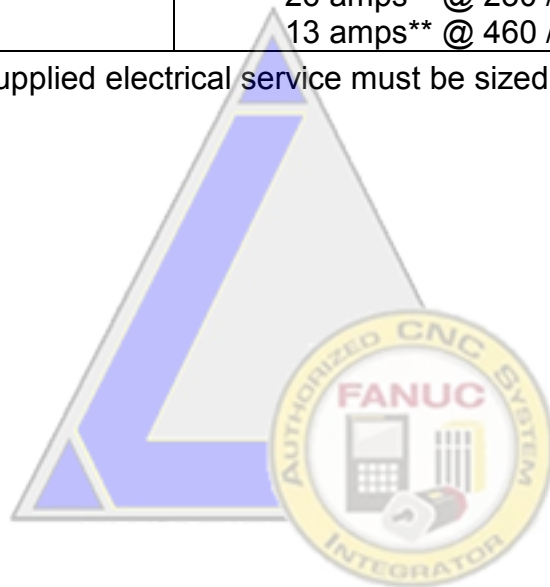
Vipros III Z/K 3510 NT	200 VAC 3 PHASE 60 HZ. $\pm 10\%$, 88 Amps**, 30 kVA . 230/460 requires step-up transformer
SBC EX 5.5 Chiller*	230 or 460 / 3 / 60 $\pm 10\%$, 15 kVA 38 amps @ 230 / 3 / 60 VAC** 19 amps @ 460 / 3 / 60 VAC**

*The SBC EX 5.5 Chiller voltage must be specified when machine is ordered.

Optional Equipment

Conveyor	208 / 230 / 460 3ph $\pm 10\%$, kVA 2.1 amps @ 208 / 3 / 60 VAC** 2.0 amps @ 230 / 3 / 60 VAC** 1.0 amps @ 460 / 3 / 60 VAC**
MP1225 Loader	200 / 3 / 60 $\pm 10\%$, 10 Kva 29 amps @ 200 / 3 / 60 VAC** To operate at 230 / 460 VAC a step up transformer is required with the following service is required 26 amps** @ 230 / 3 / 60 VAC** 13 amps** @ 460 / 3 / 60 VAC**

**The actual supplied electrical service must be sized to allow for starting current of approximately 150% of this value.



LAPIS SERVICES
(219) 464-9131

Amada Support,
Rebuilds, Sales And
Fanuc Control Upgrades.

LAPISINC.COM

Installing the Electrical Power Supply

The Vipros III Z/K 3510 NT requires two separate electrical power sources. The first power source is supplied to the AMNC-F. The other supply source goes to the SBC EX 5.5 Chiller. The Vipros III Z/K 3510 NT should be supplied from a power line separate from those for welding machines or other machines that produce electrical noise.

The Vipros III Z/K 3510 NT electrical inlet is 75" above floor level at the rear of the AMNC-F control.

The SBC EX 5.5 Chiller electrical inlet is approximately 53" above floor level.

Vipros III Z/K 3510 NT electrical enclosure:

SBC EX 5.5 Chiller electrical enclosure:



Pneumatic Requirements

Vipros III Z/K 3510 NT**	80 psi @ 8.8 ft ³ /min.
Vipros III Z3510 NT	80 PSI @ 19 ft ³ /min.

Optional Equipment

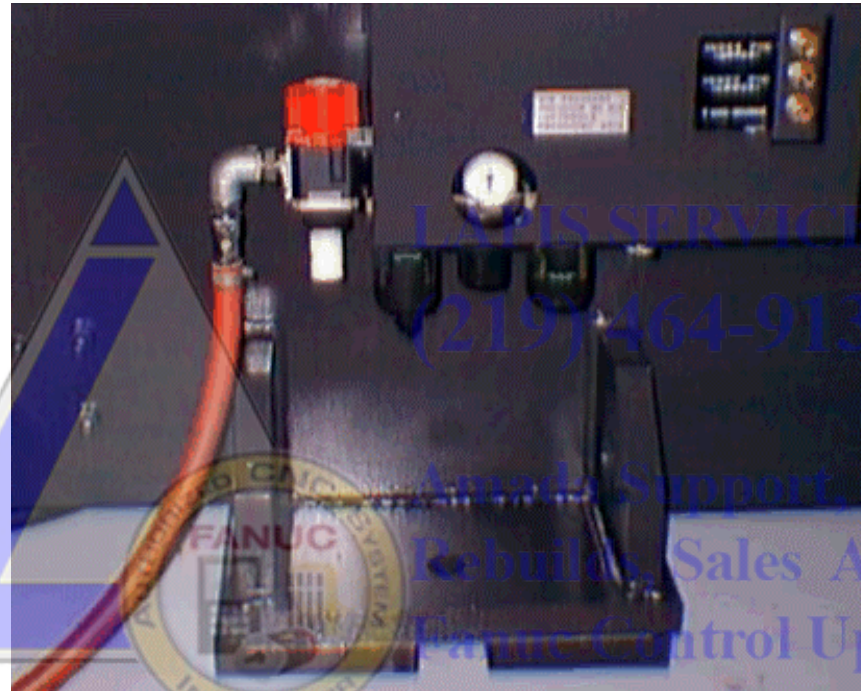
NJMP1225 Loader**	75 psi @ 31.8 ft ³ /min.
-------------------	-------------------------------------

Installing the Air Supply

The Vipros III Z/K 3510 NT requires connection to a compressed air system by hose or pipe. The compressed air must be clean and dry.

The minimum pipe inside diameter is ½".

The air inlet is approximately 16" above the floor level at the front-left side of the Vipros III Z/K 3510 NT.



Planning the Location of the Machine

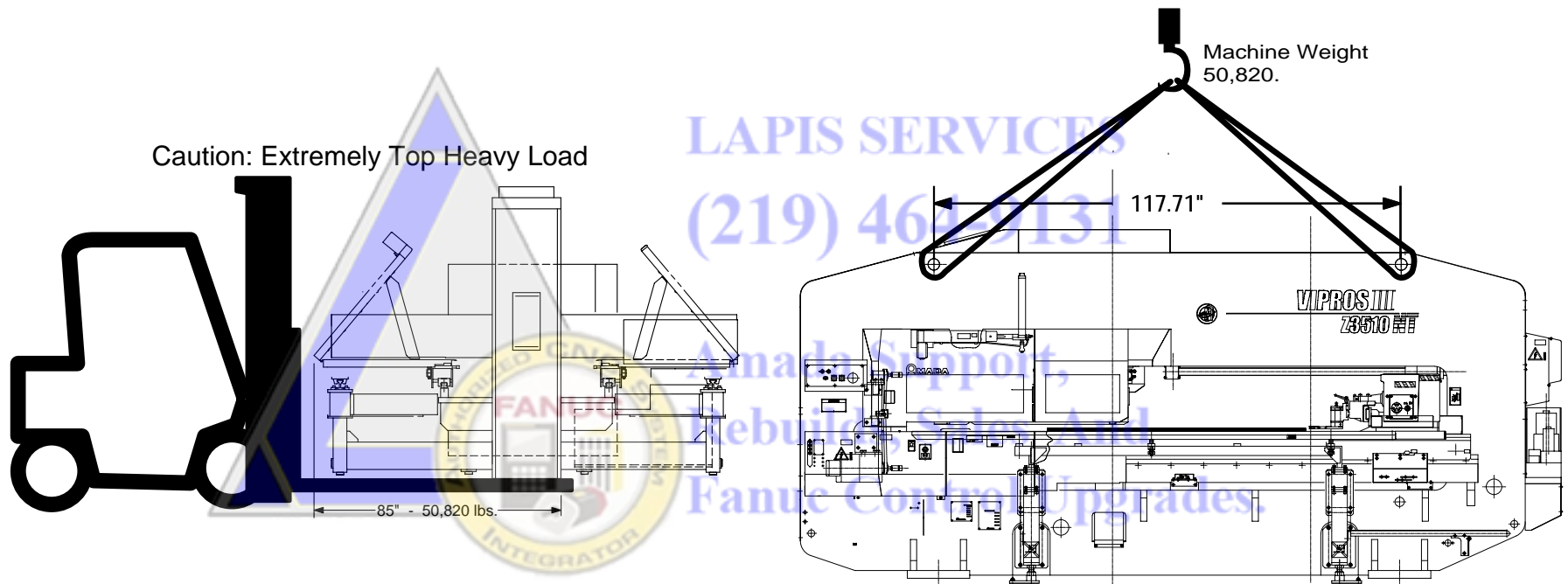
The following diagrams provide the details for positioning the Vipros III Z/K 3510 NT.

- ❑ No obstacles are allowed in the worksheet travel area and the ceiling must be at least 40" above the top of the Vipros III Z/K 3510 NT.
- ❑ All of the recommended maintenance areas should be used, but at a minimum the doors of the AMNC-F NC unit must be able to be opened. Any reduction of the listed maintenance areas may increase time and expense of installation and maintenance
- ❑ The Vipros III Z/K 3510 NT and AMNC-F control must be protected from direct sunlight or other heat sources. Direct exposure to direct heating sources such as infrared heaters have been shown to affect punch and die alignment.
- ❑ The positioning of the SBC EX 5.5 Chiller is very flexible. See page 20, SBC EX 5.5 Chiller, for details.

Moving the Vipros III Z/K 3510 NT

Lifting or moving of the Vipros III Z/K 3510 NT should be done only by professional rigging companies well versed in the moving of large and heavy industrial machinery. Acceptable moving methods include, lifting by overhead crane as shown, wheeled dollies beneath the machine feet, or adequately sized forklift forks beneath the machine frame.

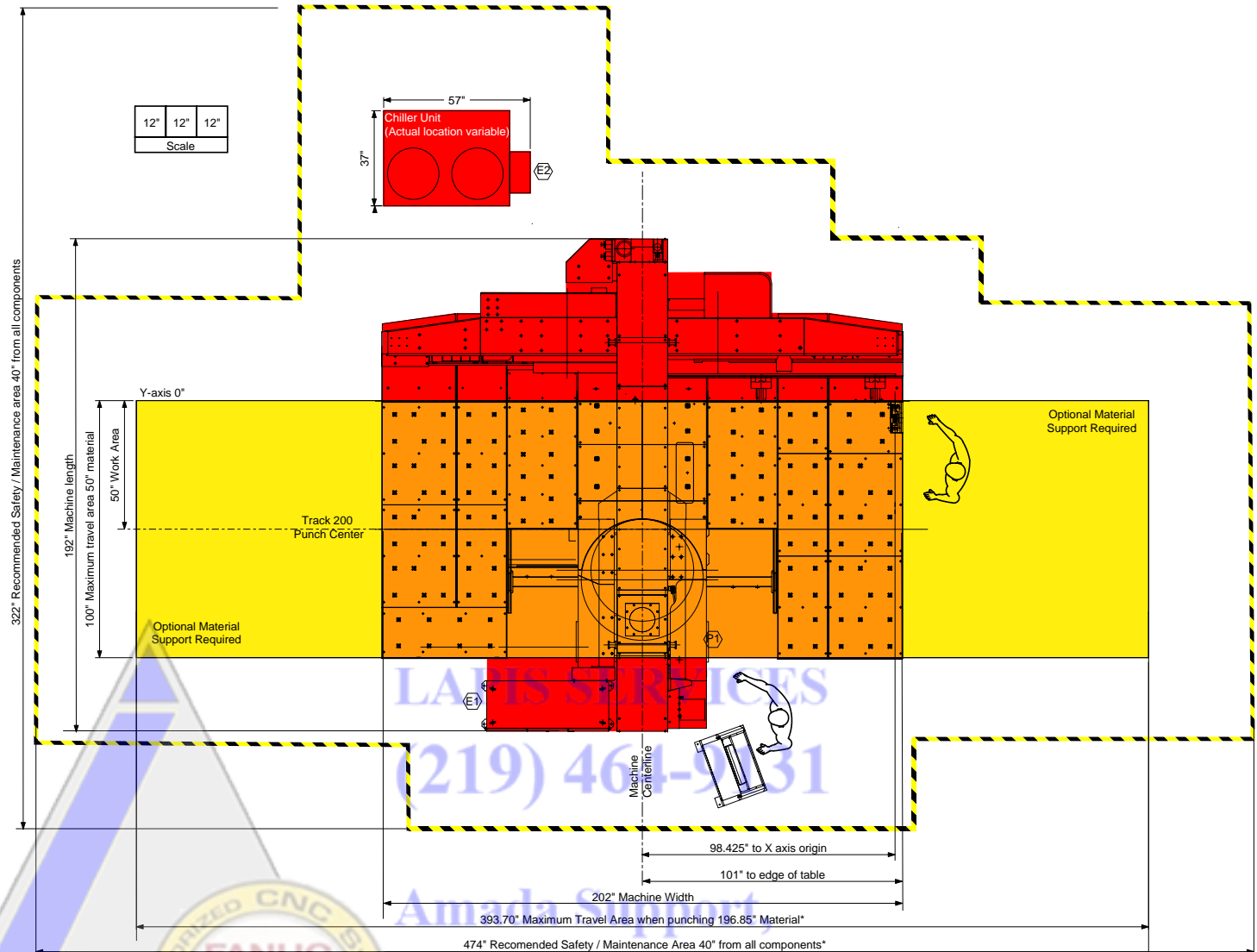
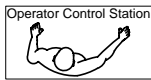
The Vipros III Z/K 3510 NT has a relatively high center of gravity and narrow footprint care must be taken to prevent inadvertent tipping of the machine while in motion.



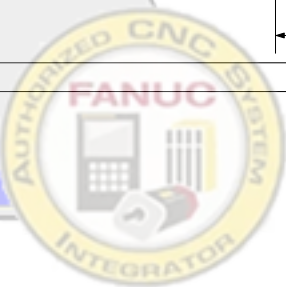
Plan View - Vipros III Z/K3510NT358

Electrical Requirements	
E1	Vipros III Z/K 3510NT
	200/ 3 / 60 ±10%, 30 kVA
	86 amps @ 200VAC / 3phase / 60 hz.
	To operate at 230 / 460 VAC a step up transformer is required.
E2	SBC EX5.5 Chiller
	230 or 460 / 3 / 60 ±10% 15 kVA
	19 amps @ 460 / 3 / 60 VAC

Compressed Air Requirements	
A1	Vipros III K 3510NT 80 psi @ 8.8 ft ³ /min.
	Vipros III Z 3510NT 80 psi @ 19 ft ³ /min.



LAPIS SERVICES
(219) 464-9131



Amada Support
Reliability, Safety And
Fanuc Control Upgrades.

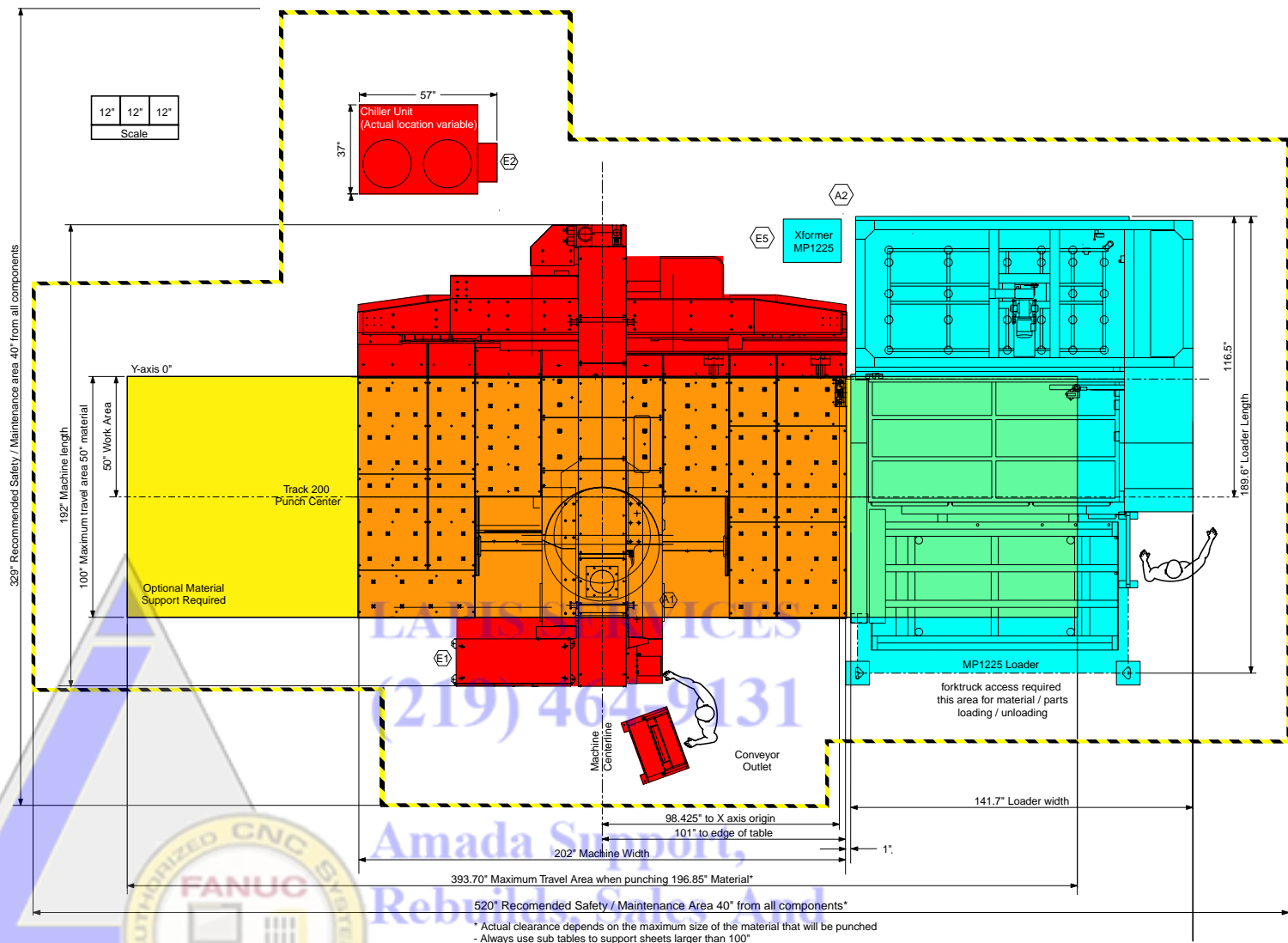
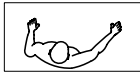
LAPISINC.COM

Plan View - Vipros III Z/K3510NT (shown with MP1225 loader)

Electrical Requirements	
E1	Vipros III Z/K 3510NT 200/ 3 / 60 ±10%, 30 kVA 86 amps @ 200VAC / 3phase / 60 hz. To operate at 230 / 460 VAC a step up transformer is required.
E2	SBC EX5.5 Chiller 230 or 460 / 3 / 60 ±10% 15 kVA 19 amps @ 460 / 3 / 60 VAC
E5	MP1225 Loader 200 / 3 / 60 ±10%, 10 Kva To operate at 230 / 460 VAC a step up transformer is required.

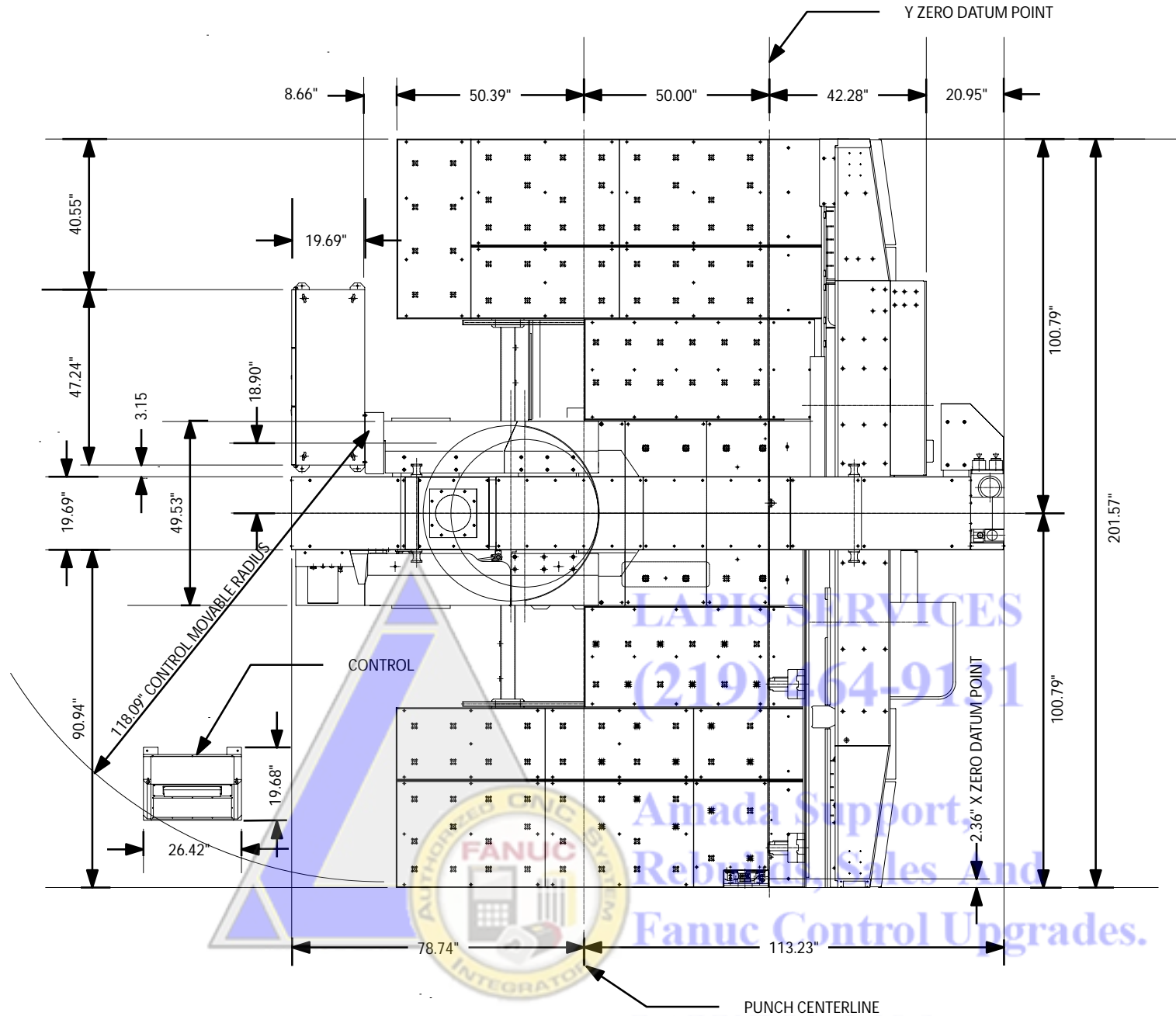
Compressed Air Requirements	
A1	Vipros III K 3510NT 80 psi @ 8.8 ft3/min. Vipros III Z 3510NT 80 psi @ 19 ft3/min.
A2	MP1225 Loader 80 psi @ 31.8 ft³/min.

Operator Control Station

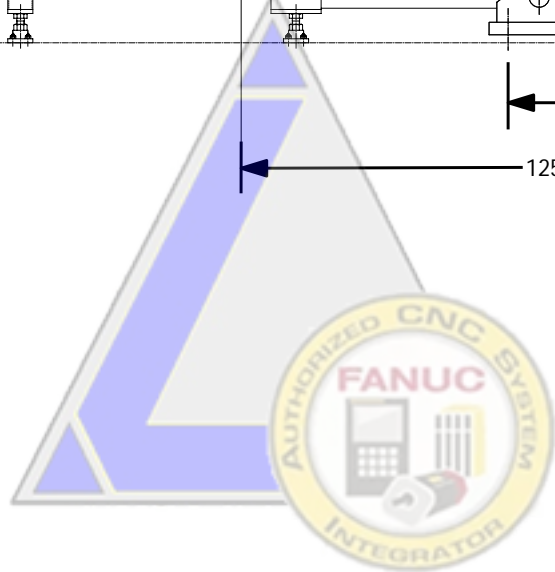
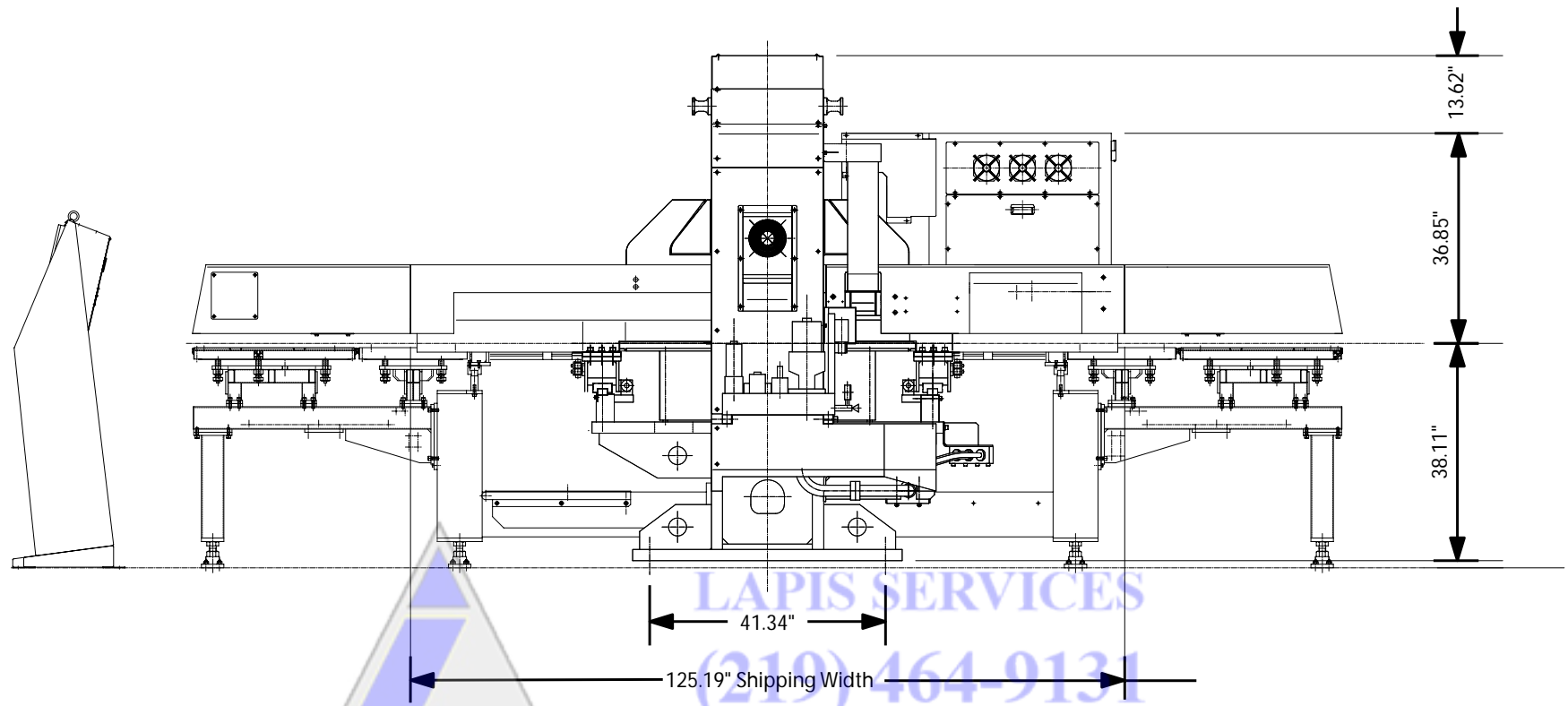


LARIS INC
 (219) 464-9131
 Amada Support,
 Rebuild, Sales, And
 Fanuc Control Upgrades.
 LARISINC.COM

Detailed Plan View - Vipros III Z/K3510NT



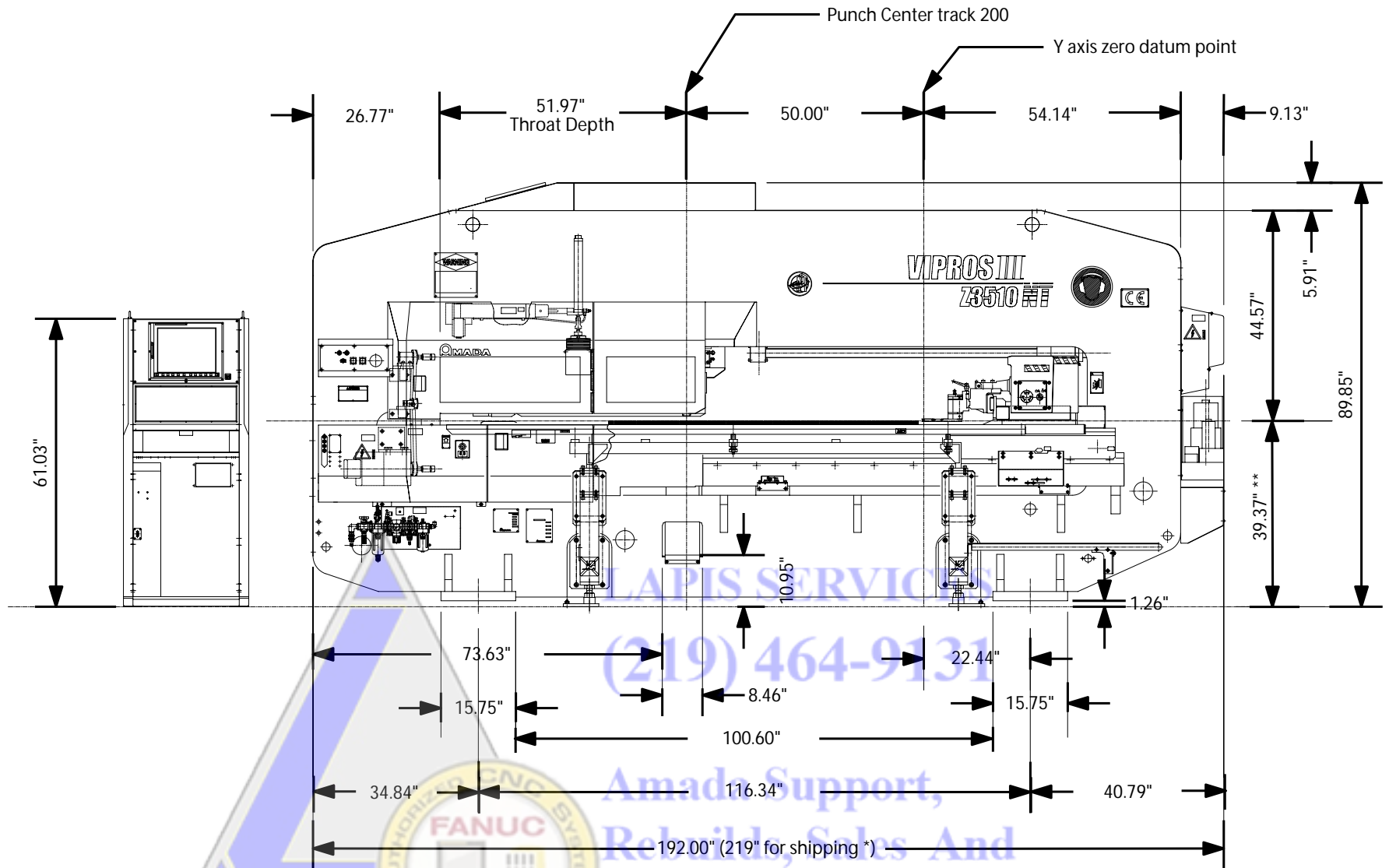
End View – Vipros III Z/K3510NT



Amada Support,
Rebuilds, Sales And
Fanuc Control Upgrades.

LAPISINC.COM

Elevation View – Vipros III Z/K3510NT



* Electrical Cabinet is attached to left side of frame for shipping adding 27" to overall length

** Material Pass line may vary due to installation of different options

SBC EX 5.5 Chiller

Model	SBC EX 5.5
Cooling Capacity	78,000 BTU/hour at 65 ⁰ ambient air temperature
Water Volume	10-15 GPM at 35 p.s.i.
Reservoir Capacity	70 Gallons
Pump HP	1 hp single phase

SBC EX 5.5 Cautions

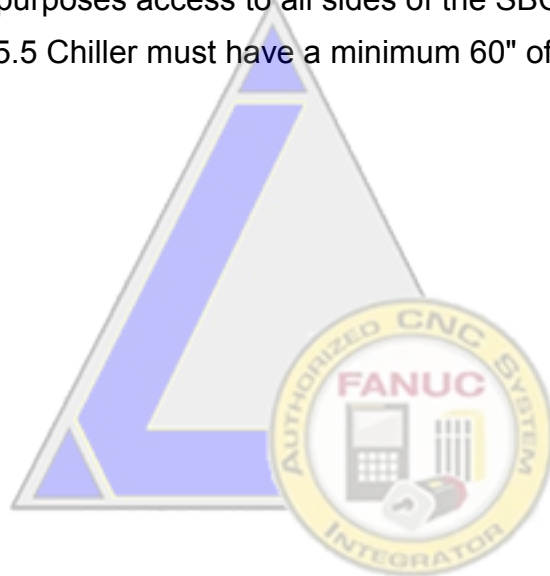
The SBC EX 5.5 Chiller is very important to the reliable operation of the Vipros III Z/K 3510 NT.

The SBC EX 5.5 Chiller must be placed so that an adequate flow of air is maintained.

The position of the SBC EX 5.5 Chiller is flexible. The SBC EX 5.5 Chiller is supplied with two (2) fifteen-foot lengths of hose to connect the to the Vipros III Z/K 3510 NT Hydraulic Unit. The customer may supply a longer length of hose if required.

Under normal operating conditions the SBC EX 5.5 Chiller may be placed against walls as shown. However, for maintenance purposes access to all sides of the SBC EX 5.5 Chiller may be required.

The SBC EX 5.5 Chiller must have a minimum 60" of clearance above the SBC EX 5.5 Chiller for proper airflow.



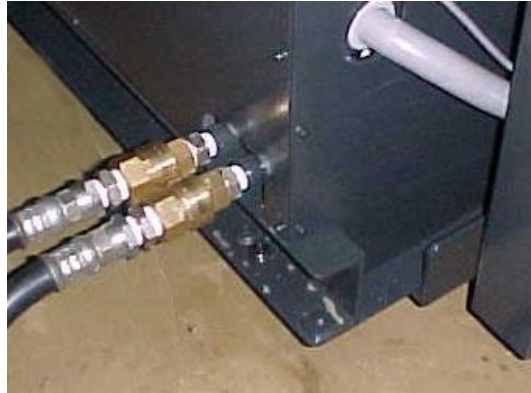
LAPIS SERVICES
(219) 464-9131

Amada Support,
Rebuilds, Sales And
Fanuc Control Upgrades.

LAPISINC.COM

Chiller Connections

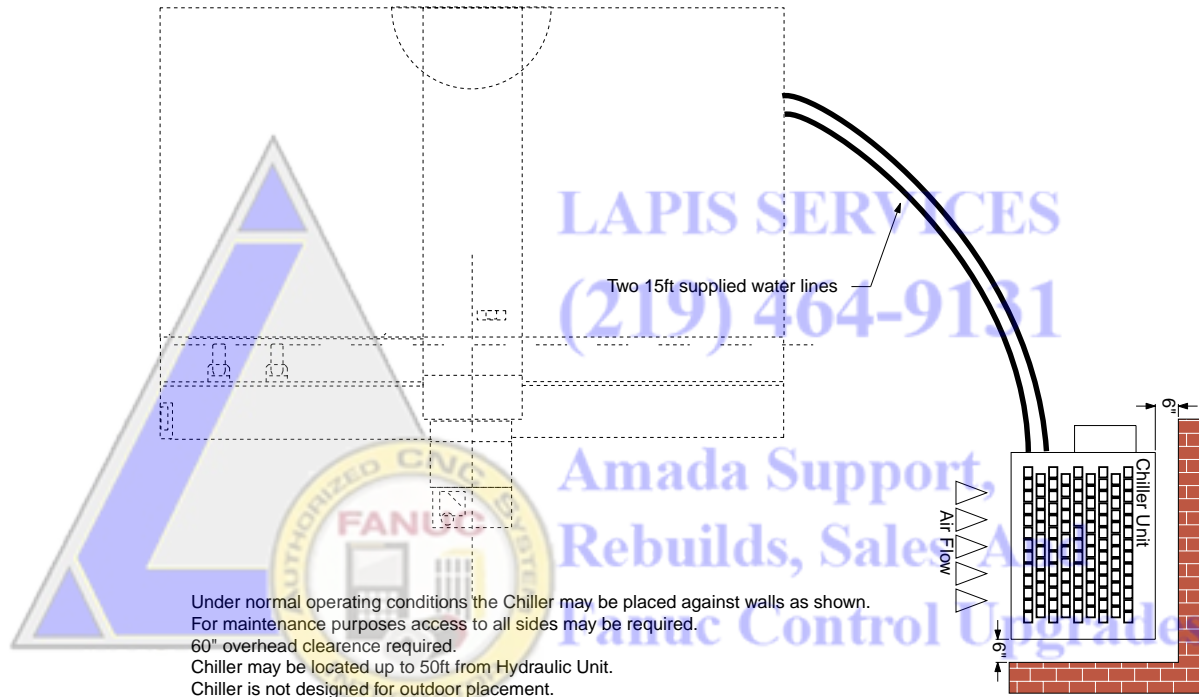
Hydraulic Unit



SBC EX 5.5 Chiller



Chiller Placement



Under normal operating conditions the Chiller may be placed against walls as shown.
For maintenance purposes access to all sides may be required.
60" overhead clearance required.
Chiller may be located up to 50ft from Hydraulic Unit.
Chiller is not designed for outdoor placement.

Foundation Requirements

The Vipros III Z/K 3510 NT does not require a special foundation to perform as expected, however there are minimum requirements that an existing floor must meet in order to assure machine reliability and tool life. If the existing floor does not meet the following minimum requirements, plans for a recommended foundation are given in the *section Foundation Anchoring Procedure* of this document.

The minimum acceptable floor conditions to assure a successful installation are:

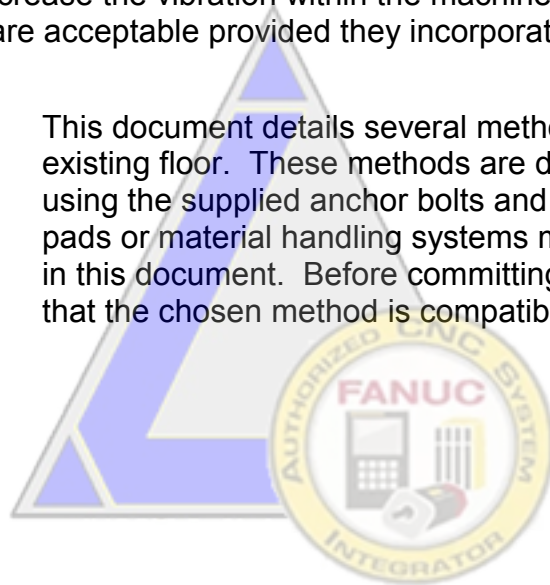
- The area of the floor where the machine frame is to be located must be a single, homogeneous slab in good condition. There must be no cracks or other signs of deterioration of the floor.
- The floor must be 4" to 6" thick.
- The floor must be capable of supporting 3.5 tons/ft².
- The floor must be level to 0.032"/ft.

If the existing floor meets the minimum requirement list above, it must still be inspected carefully when the anchor-bolt holes are cut. Voids under the floor, or wetness (not associated with the hole cutting procedure) should be considered signs of an inadequate floor and a new machine location or new foundation must be considered.

It is the customer's responsibility to determine that the floor meets these minimum requirements. Placing the machine on an inadequate, cracked floor, or straddling seams in a floor may be grounds for voiding the machine warranty!

Amada America, Inc. does not recommend the use of vibration isolating mounts under the machine feet, as these devices have been shown to increase the vibration within the machine frame, increasing the likelihood of vibration related problems. Solid leveling devices are acceptable provided they incorporate a means of anchoring the machine to the floor with the supplied J-bolts.

Special Note: This document details several methods of anchoring the Vipros III Z/K 3510 NT to a new foundation or an existing floor. These methods are designed to install the Vipros III Z/K 3510 NT as a stand-alone machine using the supplied anchor bolts and base plates. Installation or use of additional options such as leveling pads or material handling systems may dictate other methods of anchoring or foundation design not shown in this document. Before committing to a specific method of anchoring the Vipros III Z/K 3510 NT, confirm that the chosen method is compatible with all purchased optional items and planned expansion.



LAPIS SERVICES
LAPISINC.COM
Amada Support,
Rebuilds, Sales And
Fanuc Control Upgrades.

LAPISINC.COM

Foundation Anchoring Procedure

An ideal foundation is given on the following pages. This foundation must be used if the existing floor cannot meet the minimum requirements to support the machine.

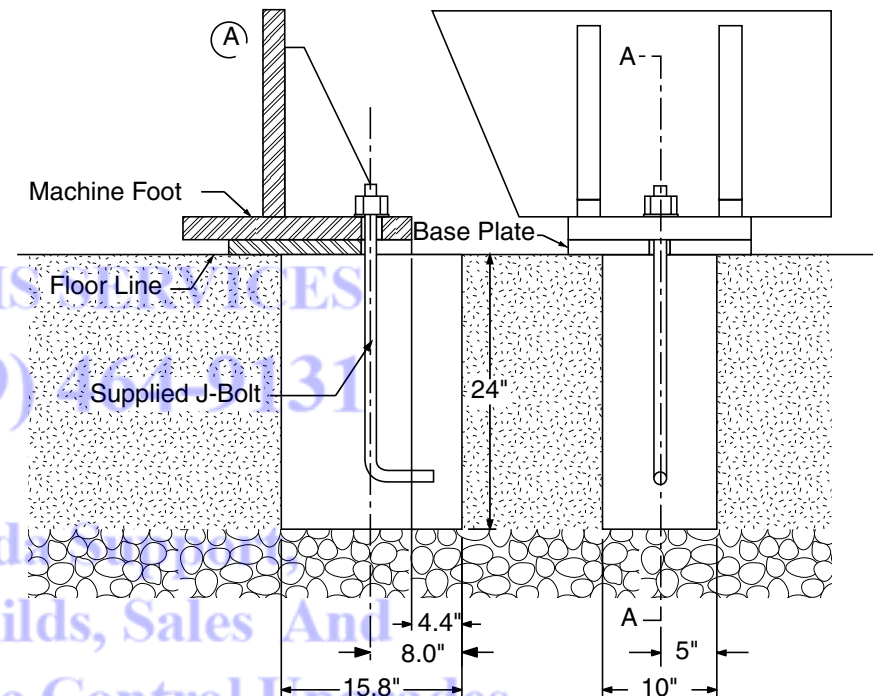
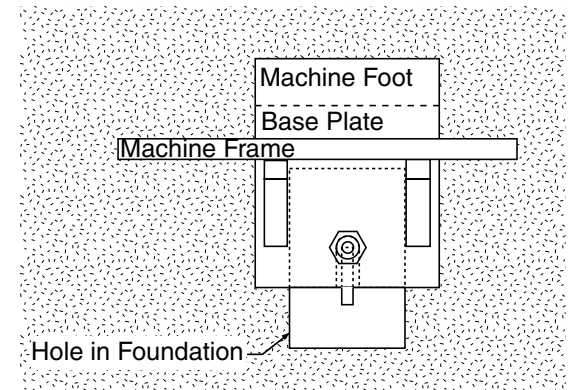
The foundation must consist of a single, homogeneous slab. The foundation must be level to within 0.032" / ft. Anchoring the Vipros III Z/K 3510 NT to the floor using the anchor-bolts supplied is essential to ensure reliable performance. Amada generally recommends that the foundation have a minimum load bearing capacity of 3.5 ton/ft². It is the purchaser's responsibility to determine that the foundation meets these requirements.

Please note the following:

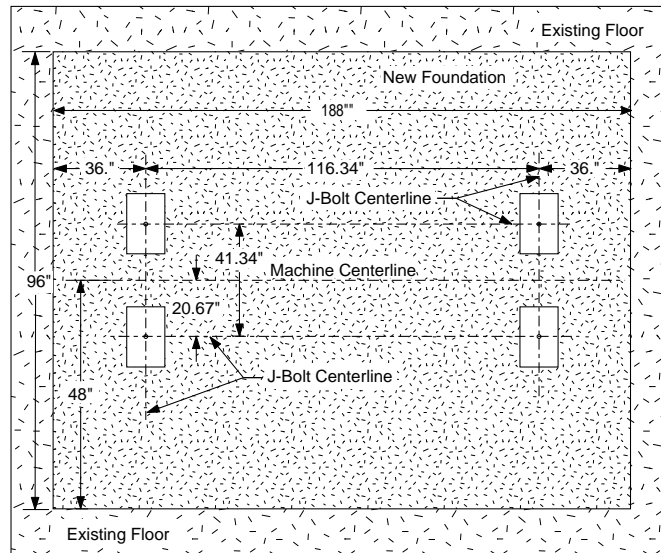
- The base plates, shims, anchor bolts, nuts, and washers are shipped with the Vipros III Z/K 3510 NT.
- The concrete J-bolt pads should be filled after the machine is placed on the foundation.
- See special note page 22

Foundation J-bolt Detail

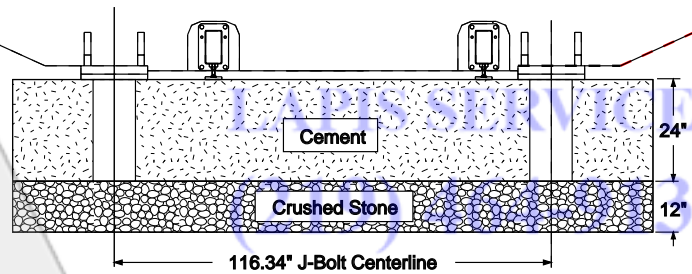
See *Floor J-bolt Mounting Procedure* for proper method of mounting machine on foundation.



Foundation Plan View



Foundation Elevation View



Amada Support,
Rebuilds, Sales And
Fanuc Control Upgrades.
LAPISINC.COM

Machine Anchoring Requirements

To maintain machine reliability, extend tool life, and remain level over an extended period the Vipros III Z/K 3510 NT must be anchored in place on an adequate floor or foundation.

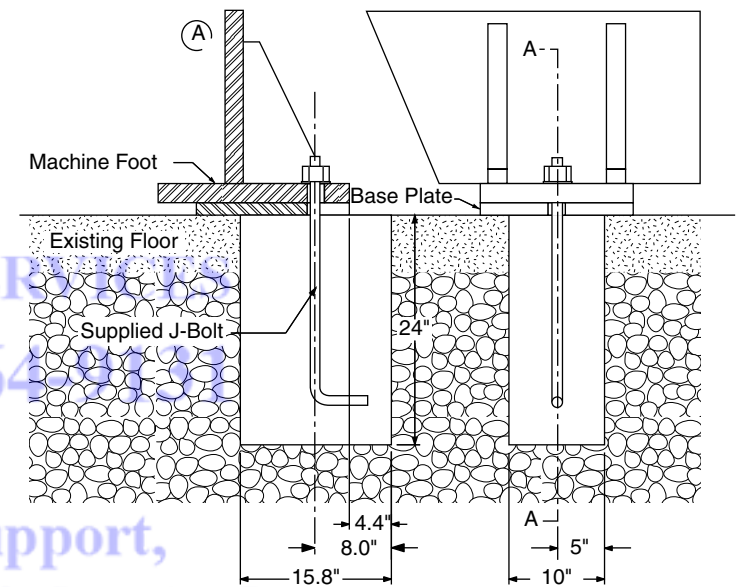
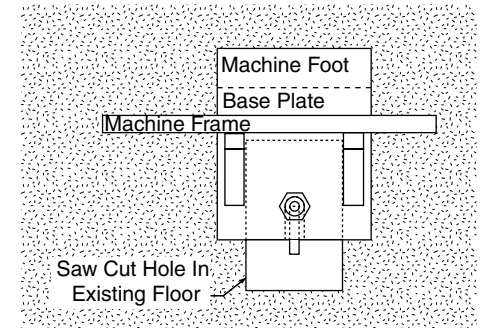
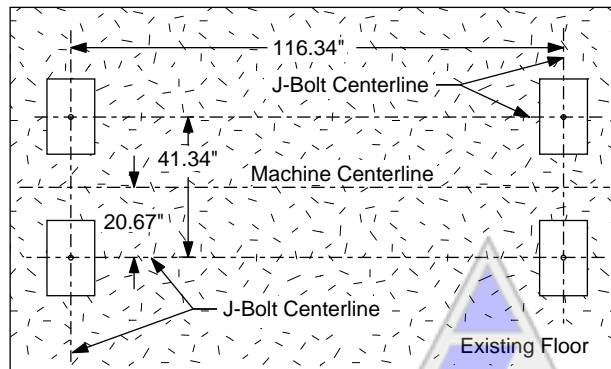
At a minimum the floor must consist of a single, homogeneous slab, level to within 0.032"/ft², and capable of supporting 3.5 tons/ft². It is the purchaser's responsibility to determine that the floor meets these minimum requirements.

Floor J-bolt Hole Detail (saw cut hole)

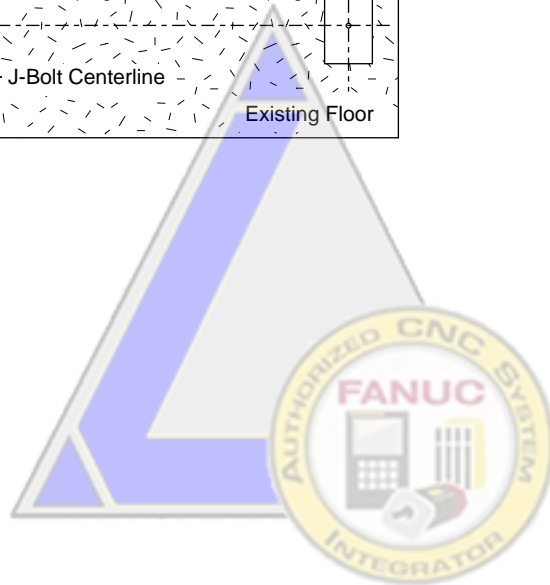
This machine mounting method should be used only if the floor is of such quality that it will support the weight of the machine with the anchor J-bolts used only for maintaining the location of the machine.

See special note page 22

Floor J-bolt Hole Plan View (saw cut hole)



LAPIS SERVICE
 (219) 464-0000
 Amada Support,
 Rebuilds, Sales And
 Fanuc Control Upgrades.

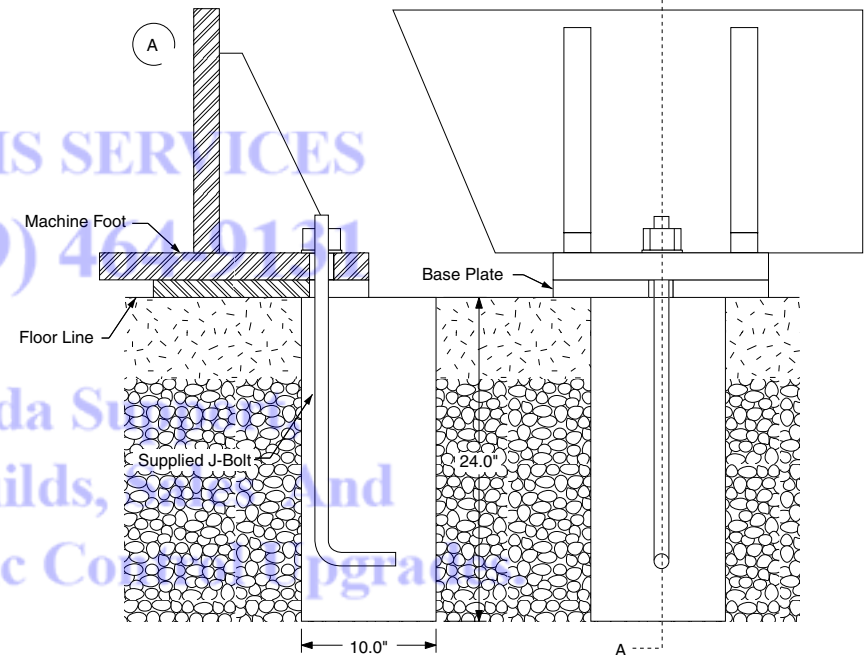
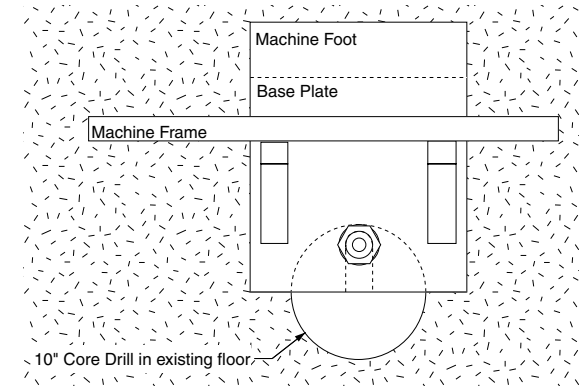
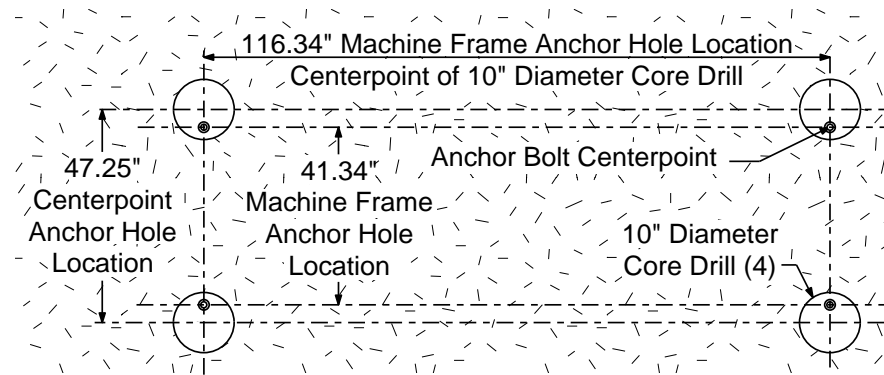


Alternative Floor J-bolt Hole Detail (Core Drill)

This machine mounting method should only be used if the floor is of such quality that it will support the weight of the machine with the anchor J-bolts used only for maintaining the location of the machine.

See special note page 22

Alternative Floor J-bolt Hole Plan View (Core Drill)



LAPIS SERVICES

(219) 464-0151

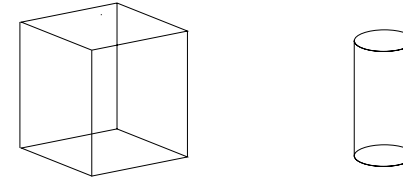
Amada Support
Rebuilds, Repairs, And
Fanuc Company Upgrades

LAPISINC.COM

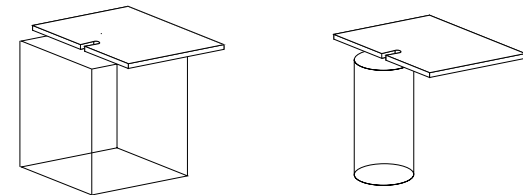
Foundation / Floor J-bolt Mounting Procedure

Step 1. Saw cut or Core drill a hole in the existing floor and remove the underlying dirt to the required 24" depth.

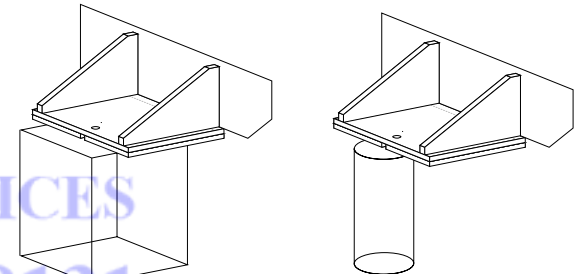
See *Floor J-bolt Mounting Hole Plan View (saw cut hole)* or *Alternative J-bolt Mounting Method Plan View (Core Drill)* for correct layout dimensions of the four anchor holes required.



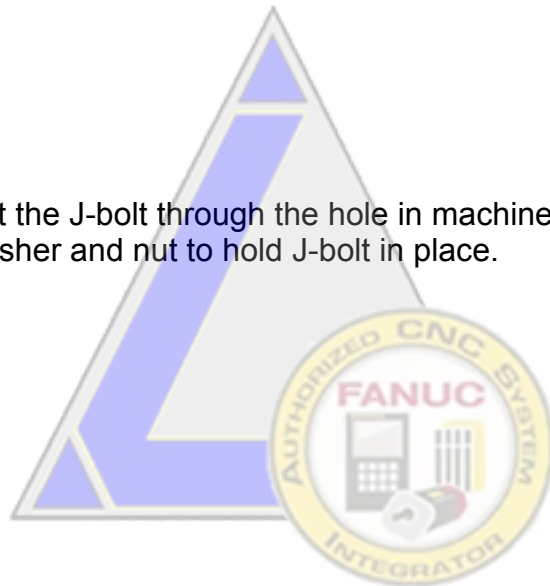
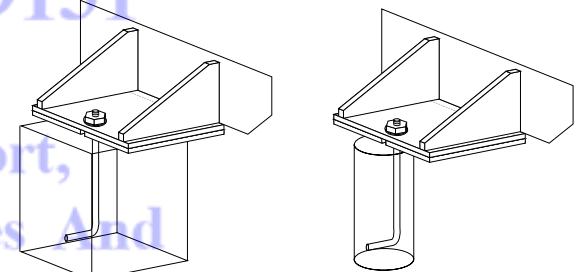
Step 2. Set base plate over the hole.



Step 3. Set the machine on the base plate.



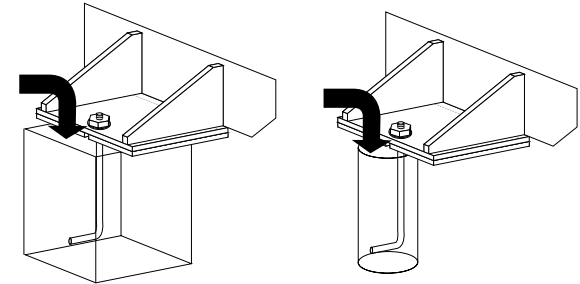
Step 4. Set the J-bolt through the hole in machine foot, attach washer and nut to hold J-bolt in place.



LAPIS SERVICES
 (219) 464-9131
 Amada Support,
 Rebuilds, Sales And
 Fanuc Control Upgrades.

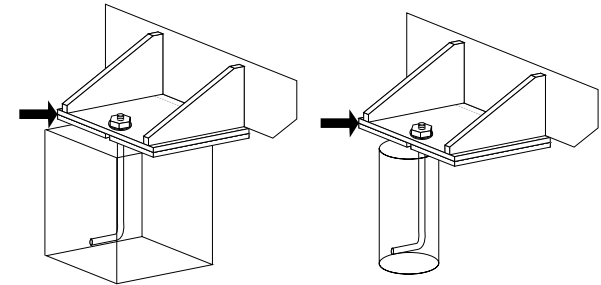
LAPISINC.COM

- Step 5 Pour the Concrete.
Ensure that the J-bolt remains correctly aligned to the machine frame during the pouring and hardening time of the concrete.
Ensure that the concrete level is equal to the floor level



- Step 6. To complete the mounting procedure, level the machine frame by inserting leveling shims between the machine foot and base plate.

See *Leveling the Machine* section for correct procedure.



LAPIS SERVICES
(219) 464-9131

Amada Support,
Rebuilds, Sales And
Fanuc Control Upgrades.

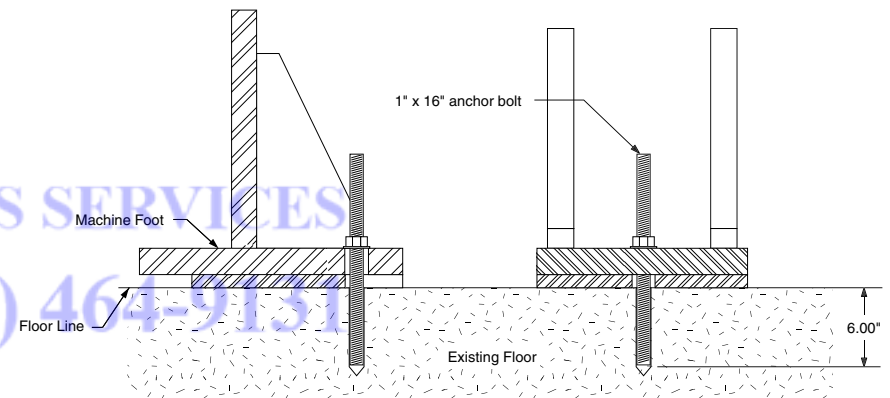
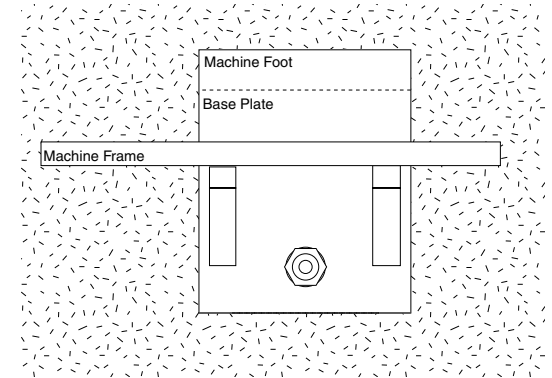
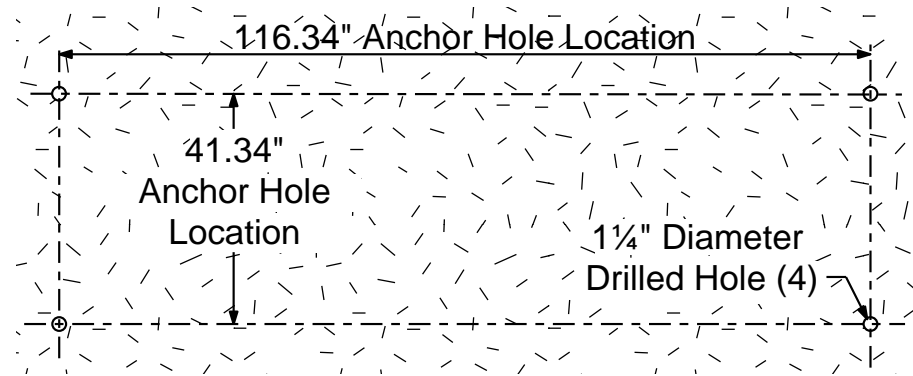
LAPISINC.COM

Alternative Anchoring Method (Drilled Hole with Anchor Rod and Adhesive)

This machine mounting method should only be used if the floor is of such quality that it will support the weight of the machine with the Anchor Rod used only for maintaining the location of the machine.

See special note page 22

Alternative Anchoring Method Plan View (Drilled Hole with Anchor Rod and Adhesive)



LAPIS SERVICES
(219) 464-9151
Amada Support,
Rebuilds, Sales And
Fanuc Control Upgrades.

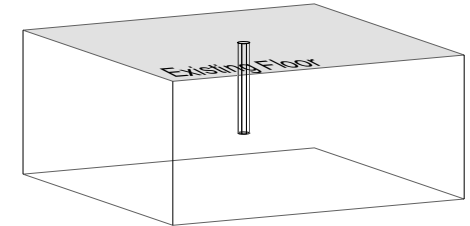
LAPISINC.COM

Drilled Hole with Anchor Rod and Adhesive Mounting Procedure

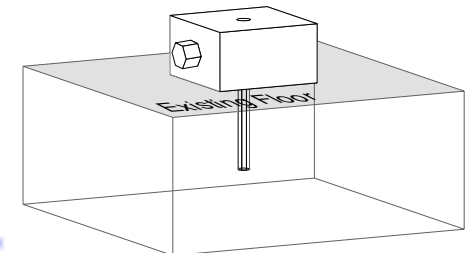
Step 1. Drill the four Anchor Rod holes in the existing floor.

The holes should be drilled approximately 6" deep.

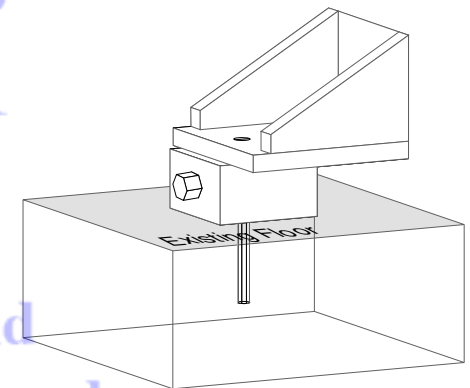
See *Alternative Floor Bolt Mounting Method Plan View (Drilled Hole with Adhesive Anchor Rod)* for correct layout dimensions.



Step 2. Set the Amada Machine Leveling Plates over the drilled holes

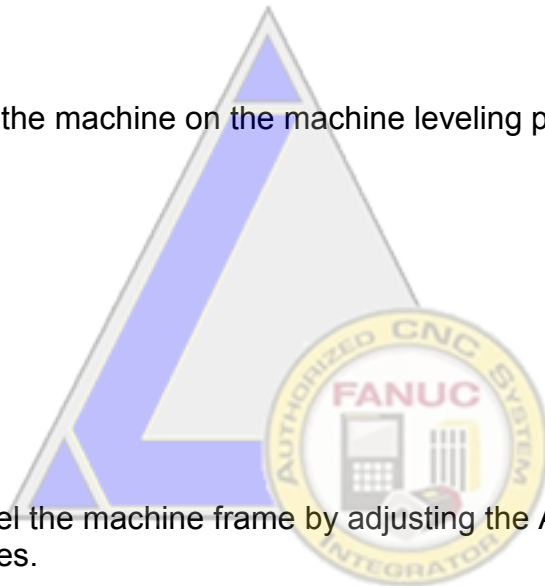


Step 3. Set the machine on the machine leveling plates.

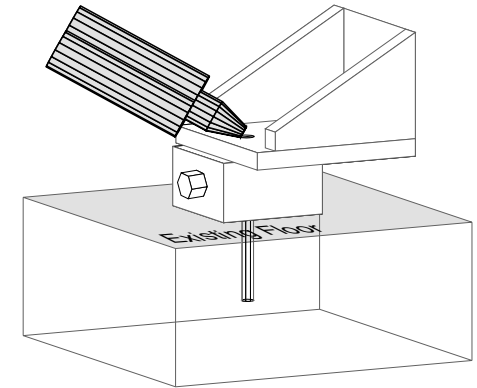


Step 4. Level the machine frame by adjusting the Amada machine leveling plates.

See *Leveling the Machine* section for correct procedure.

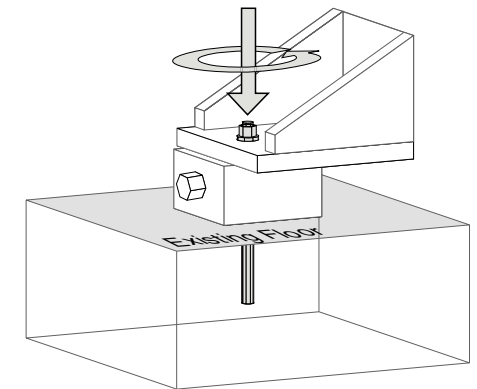


Step 5 Fill each of the Anchor Rod holes to within 2 inches of the floor surface with the Adhesive compound. Do not overfill.



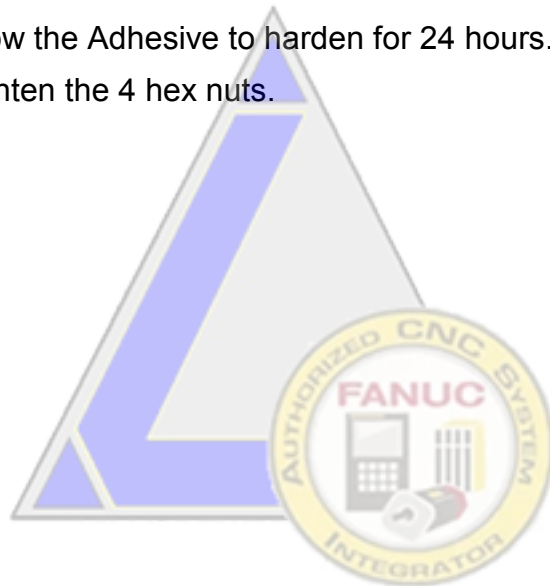
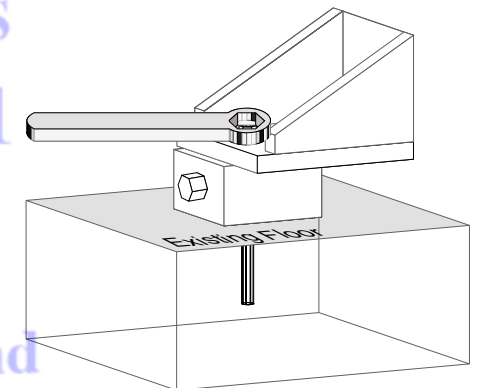
Step 6 Attach the hex nut and flat washer on the Anchor Rod and place the Anchor Rod into the drilled hole.

Using a twisting motion to move the Anchor Rod through the epoxy compound, seat the flat washer and hex nut against the top of the machine foot.



Step 7 Allow the Adhesive to harden for 24 hours.

Step 8. Tighten the 4 hex nuts.



LAPIS SERVICES
(219) 464-9131

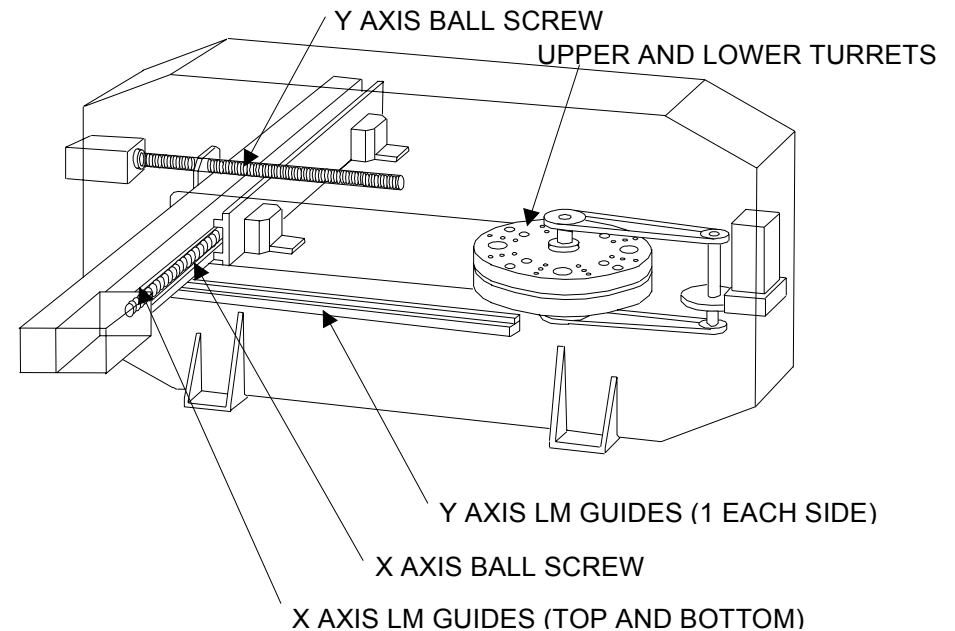
Amada Support,
Rebuilds, Sales And
Fanuc Control Upgrades.

LAPISINC.COM

Removing the Protective Coating

The Vipros III Z/K 3510 NT must be thoroughly cleaned of protective coating. The sheet metal guards can be removed from around the turret to allow cleaning of the upper and lower turrets, tool bores and die holders.

- Please note the following:
- Remove wrapping paper from the X and Y-axes ball screws, then remove the protective coating.
- Remove the wrapping paper from the X and Y LM guides then remove the protective coating, make sure that you remove the paper from both sides of the carriage.
- Clean die holders one at a time. Remove a die holder, clean and replace it before removing the next die holder. If the die holders are mixed up, serious turret alignment problems may occur.
- A suitable solvent should be used to remove the protective coating.



LAPIS SERVICES
(219) 464-9131

**Amada Support,
Rebuilds, Sales And
Fanuc Control Upgrades.**

LAPISINC.COM

Machine Leveling

Proper Machine leveling is critical to the Vipros III Z/K 3510 NT performing as designed.

Materials and tools required:

Supplied with the machine:

Assorted thickness machine leveling shim stock

Anchor bolts

Supplied by Amada service:

Spirit level capable of reading 0.0005"/ft

One (1) 12 ton hydraulic bottle jack

Not supplied:

Additional shim stock of 0.005" thickness may be required to achieve a properly leveled machine.



LAPIS SERVICES
(219) 464-9131

**Amada Support,
Rebuilds, Sales And
Fanuc Control Upgrades.**

LAPISINC.COM

Rocking Test

After the machine frame has been leveled the use of the following G-code is necessary to determine that the machine frame is properly leveled and balanced.

Should the machine frame vibrate or move excessively during the rocking test the machine frame must be re-leveled using the procedure in this manual.

Should the proper leveling technique not eliminate the excessive frame motion, consideration must be given to relocation of the machine or replacement of the existing floor with an adequate foundation.

Set M500 values to Top Position 0.080", Bottom Position, 0.080", Slow Position 0.000"
Repeat test with X-axis movement values of 0.500", 1.000", and 4.000"

G06A.100B0
M500
N1
G91G70X-.25Tttt(Use any valid tool number)
G70X.25
M97P1
G50



LAPIS SERVICES
(219) 464-9131

Amada Support,
Rebuilds, Sales And
Fanuc Control Upgrades.

LAPISINC.COM

Floor Condition: Crowned

The flatness of the floor plays an important step in the leveling procedure of the machine. To properly level the machine the weight bearing points must be as far from the centerline of the machine frame as possible.

Should a condition known as crowning exist the weight bearing points of the machine may not be far enough from the machine centerline to ensure a stable machine.

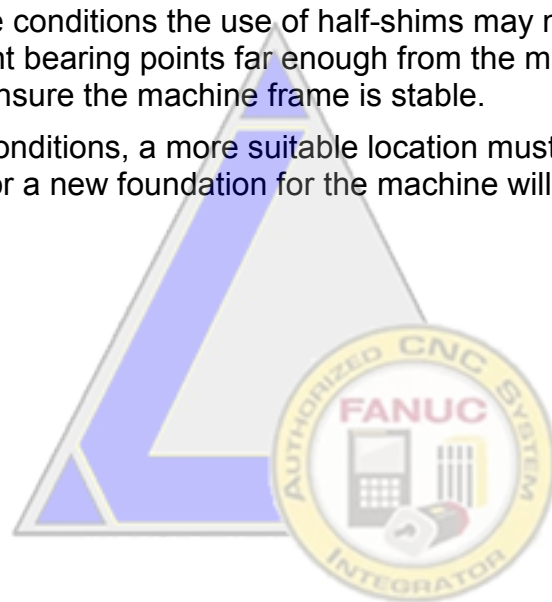
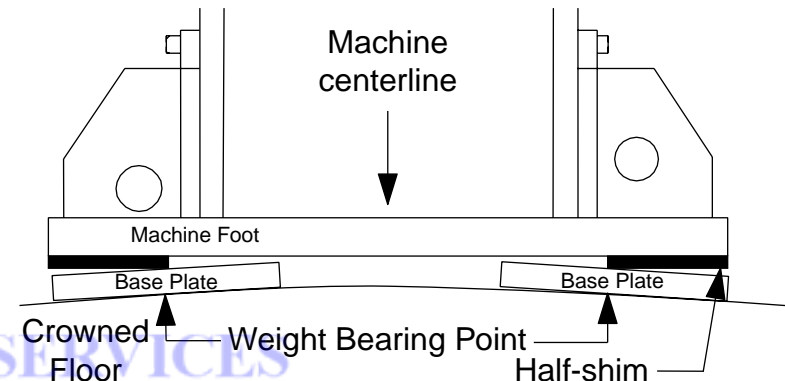
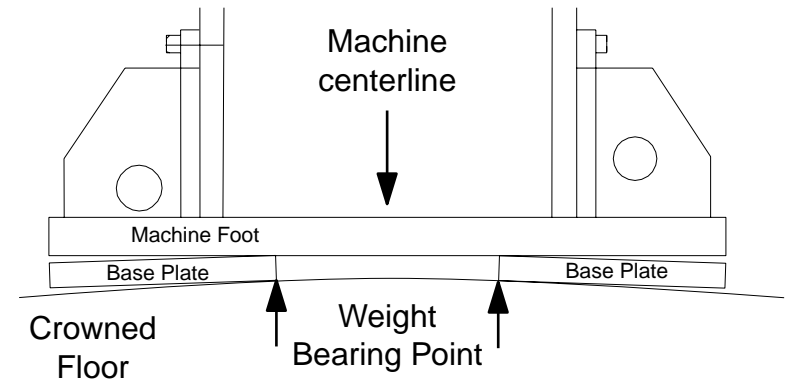
Under these conditions, a procedure known as *Half-Shimming* should be used.

To move the weight bearing points further from the machine centerline the use of half-shims of .125" thick on top of the base plate as shown is recommended.

After the half-shims are installed and the machine frame is leveled, use the rocking test to determine that the machine frame is stable enough to allow production without damaging the machine.

Under extreme conditions the use of half-shims may not move the machine weight bearing points far enough from the machine centerline to ensure the machine frame is stable.

Under these conditions, a more suitable location must be found for the machine, or a new foundation for the machine will be necessary.



LAPIS SERVICES
(219) 464-9131

Amada Support,
Rebuilds, Sales And
Fanuc Control Upgrades.

LAPISINC.COM

Floor Condition: Sloped

The slope of the floor plays an important step in the leveling procedure of the machine. To properly level the machine the weight bearing points must be as far from the centerline of the machine frame as possible.

Should the floor slope excessively the weight bearing points of the machine may not be far enough from the machine centerline to ensure a stable machine.

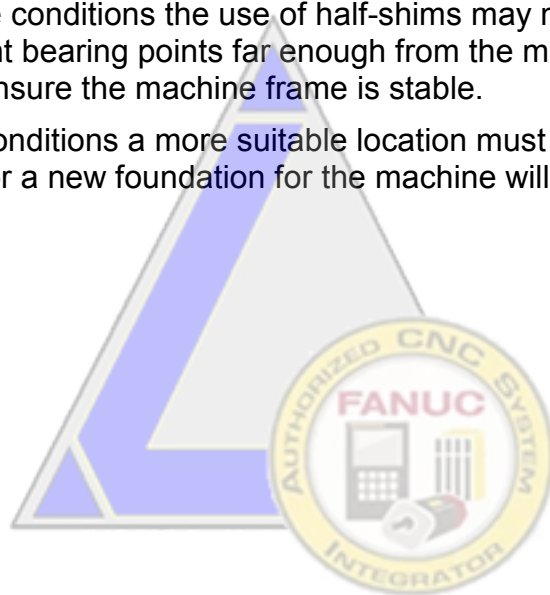
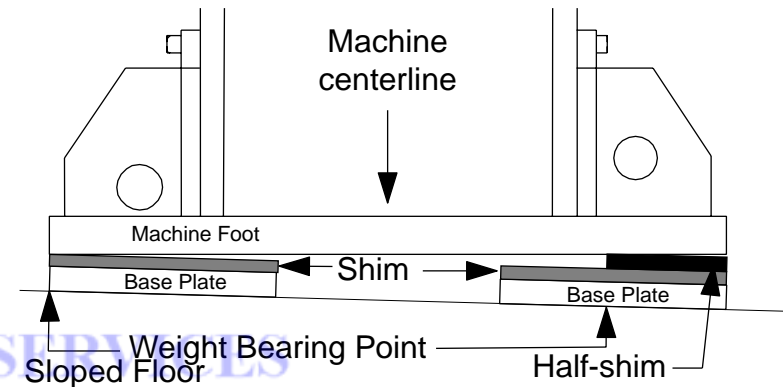
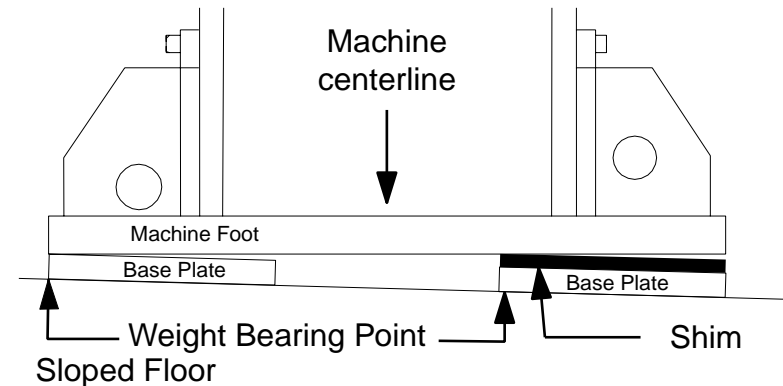
Under these conditions, a procedure known as *Half-Shimming* should be used.

To move the weight bearing points further from the machine centerline the use of half-shims of .125" thick on top of the base plate and leveling shims as shown is recommended.

After the half-shims are installed and the machine frame is leveled, use the rocking test to determine that the machine frame is stable enough to allow production without damaging the machine.

Under extreme conditions the use of half-shims may not move the machine weight bearing points far enough from the machine centerline to ensure the machine frame is stable.

Under these conditions a more suitable location must be found for the machine, or a new foundation for the machine will be necessary.



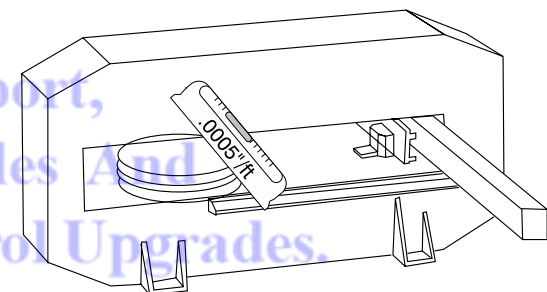
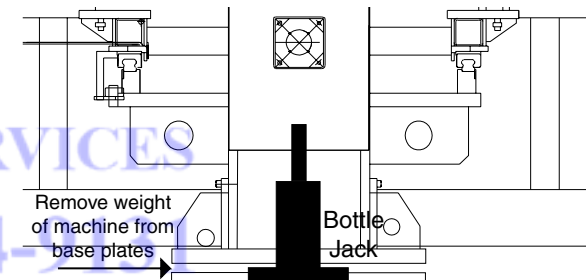
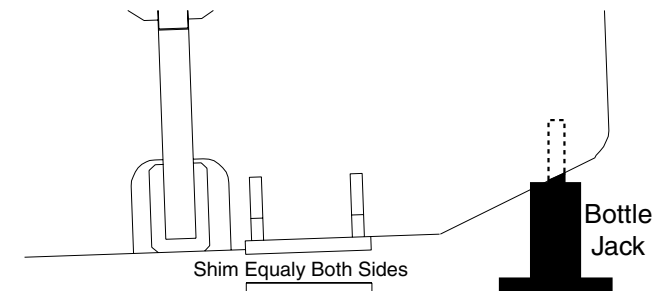
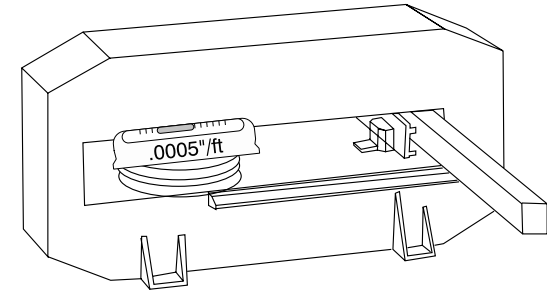
LAPIS SERVICES
(219) 464-9131

Amada Support,
Rebuilds, Sales And
Fanuc Control Upgrades.

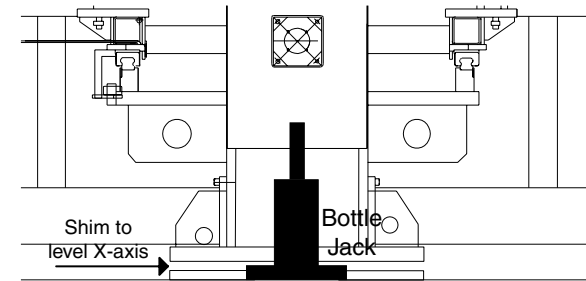
LAPISINC.COM

Leveling Procedure

1. Determine the high end of machine frame by placing a spirit level on the turret to measure the level of the machine frame in the y-axis.
2. Use the bottle jack to lift the low end of the machine frame. With the turret end of the machine frame slightly higher than the carriage end. Shim beneath both machine feet and the base plates until the machine frame measures near level on the y-axis.
3. Center the bottle jack under the carriage end of the machine frame. Lift the machine frame until all weight is off the machine feet at the carriage end of the machine frame. Lift the machine frame as little as possible to take the weight off the base plates.
4. With the machine supported on the bottle jack at the carriage end of the machine frame and the machine feet at the turret end of the machine frame, place a spirit level on the turret.
5. Measure and record the level of the turret in the x-axis then lower the machine frame to place all machine feet in contact with the leveling shims and base plates.

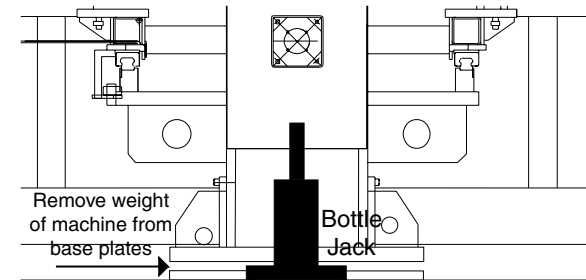


6. Lift the turret end of the machine frame to allow shimming between the machine feet and base plates to level the machine frame in the x-axis.

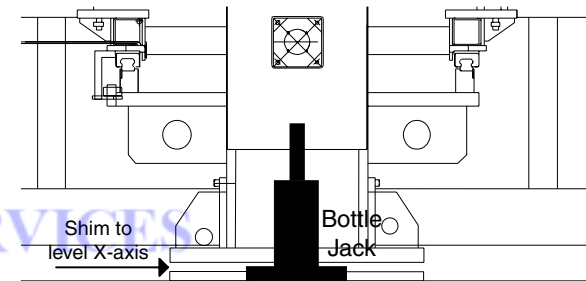


7. Repeat steps 3 to 5 until the machine frame measures level to 0.0005"/ft in step 5, then continue.

8. With the weight of the carriage end of the machine supported by the bottle jack. Monitor the level of the turret in the x-axis, as the bottle jack is slowly lowered to place the carriage end machine feet in contact with the base plates. Any change in the level indicates that the carriage end of the machine needs to be leveled.

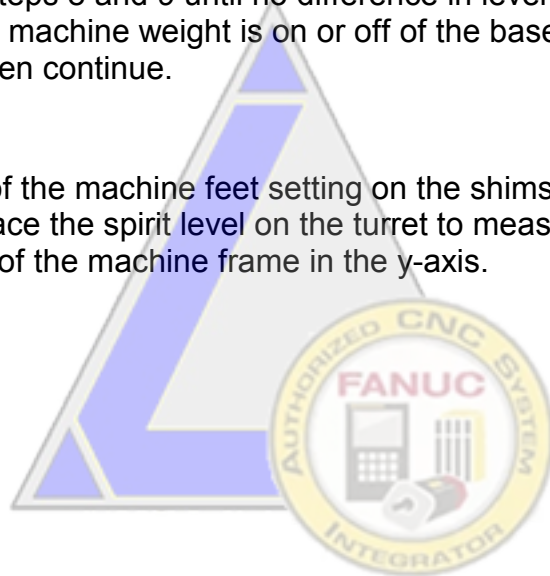
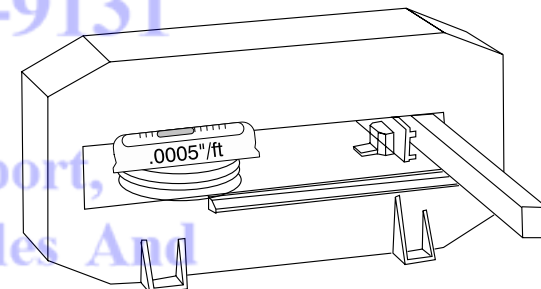


9. Lift the carriage end of the machine frame to allow shimming between the machine feet and base plates to level the carriage end of the machine frame in the x-axis direction.



10. Repeat steps 8 and 9 until no difference in level is noted when the machine weight is on or off of the base plates and shims, then continue.

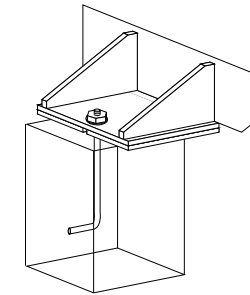
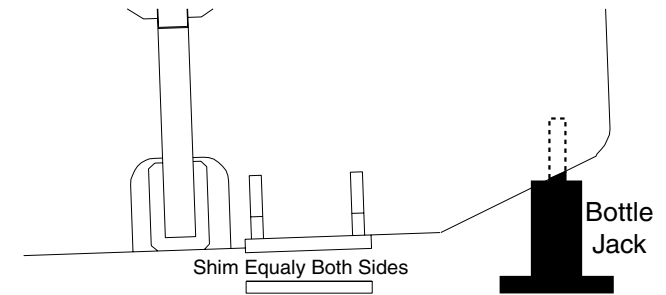
11. With all of the machine feet setting on the shims and base plates place the spirit level on the turret to measure and note the level of the machine frame in the y-axis.



LAPIS SERVICES
 (219) 464-9131
 Amada Support,
 Rebuilds, Sales And
 Fanuc Control Upgrades.

LAPISINC.COM

12. Using the bottle jack lift the low end of the machine frame and shim equally under both machine feet to level the machine frame in the y-axis.
13. Repeat step 11 to 12 until the machine frame measures level to 0.0005"/ft in the y-axis then continue.
14. Run the machine using the rocking test G-code to determine that the machine frame is leveled adequately. Should excessive movement of the machine frame be noticed check for the conditions discussed in *Floor Condition Crowned* and *Floor Condition Sloped*.
15. Tighten the anchor bolt nuts to prevent the machine frame from moving when in use. Monitor the machine level while tightening the anchor bolts to assure the machine level is not changed.



LAPIS SERVICES
(219) 464-9131

**Amada Support,
 Rebuilds, Sales And
 Fanuc Control Upgrades.**

LAPISINC.COM